



Wheel Hub Assemblies 2014

GMB will continue to distribute our mark-engraved products to the world, as we also strive to improve innovative ideas and actions in answer to the needs of our various international customers.

GMB
Your success is our Future.

Contents

PART 1 Tapered Roller Bearing ----- 7

- Matric Series
- Inch Series

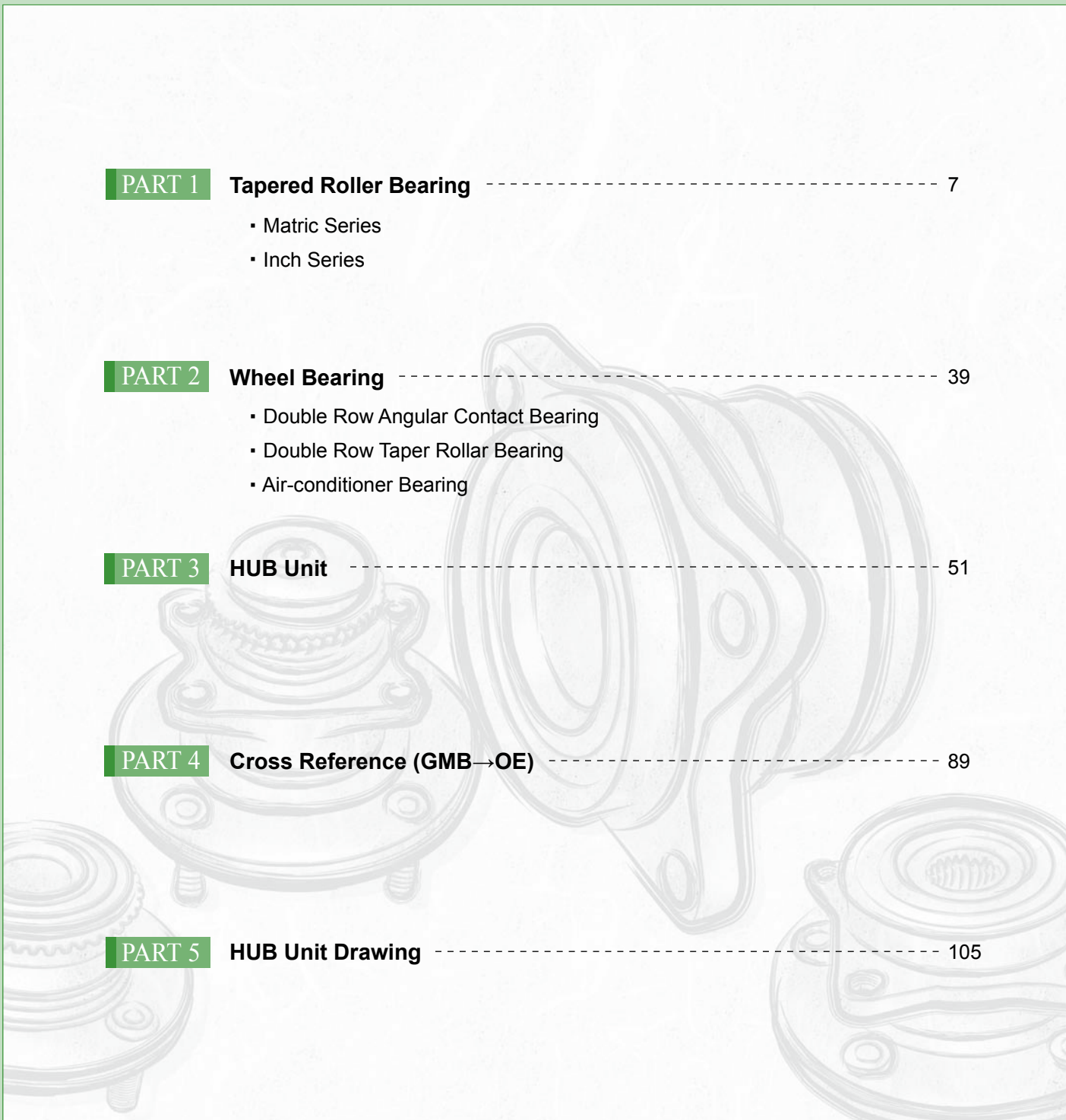
PART 2 Wheel Bearing ----- 39

- Double Row Angular Contact Bearing
- Double Row Taper Rollar Bearing
- Air-conditioner Bearing

PART 3 HUB Unit ----- 51

PART 4 Cross Reference (GMB→OE) ----- 89

PART 5 HUB Unit Drawing ----- 105





GMB Group

Global Business & Management

China GMB(Shandong)



GMB Korea Corp.



China GMB(Qingdao)



Japan GMB(HQ.)



GMB North America inc.



Thai GMB



China GMB(Jimo)



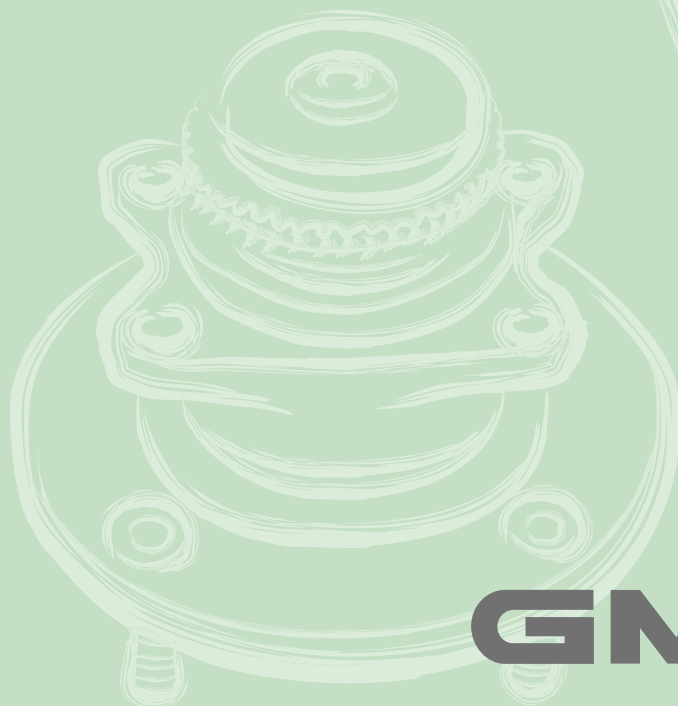
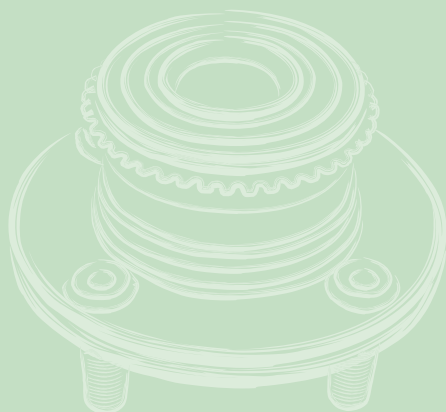
< Legend >

- Manufacturing
- New Plant 1
- Sales office 1

PART 1

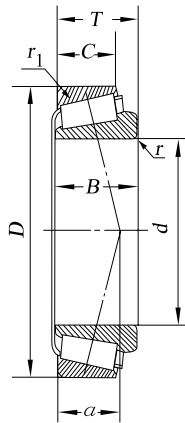
- **Tapered Roller Bearing**

- Matric Series
- Inch Series



GMB

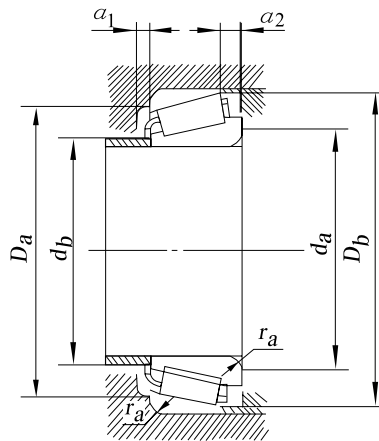
GMB Matric Series



30000 Model

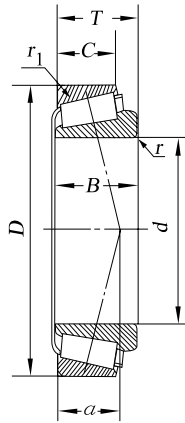
d 15 ~ 30mm

Boundary dimensions mm				Basic load ratings /kN			Limiting speeds /(r/min)		Mass /Kg				30000 Model	ISO355
d	D	T	B	C	C_r	C_{or}	grease	oil	W ≈	e	Y	Y_0		
5	42	14.25	13	11	32.8	21.5	9000	12000	0.094	0.29	2.1	1.2	30302	2BF
17	40	13.25	12	11	20.8	21.8	9000	12000	0.079	0.35	1.7	1	30203	2DB
	47	15.25	14	12	28.2	27.2	8500	11000	0.129	0.29	2.1	1.2	30303	2FB
	47	20.25	19	16	35.2	36.2	8500	11000	0.173	0.29	2.1	1.2	32303	2FD
20	37	12	12	9	13.2	17.5	9500	13000	0.056	0.32	1.9	1	32904	2BD
	42	15	15	12	25.0	28.2	8500	11000	0.095	0.37	1.6	0.9	32004	3CC
	47	15.25	14	12	28.2	30.5	8000	10000	0.126	0.35	1.7	1	30204	2DB
	52	16.25	15	13	33.0	33.2	7500	9500	0.165	0.3	2	1.1	30304	2BF
	52	22.25	21	18	42.8	46.2	7500	9500	0.230	0.3	2	1.1	32304	2FD
22	40	12	12	9	15.0	20.2	8500	11000	0.065	0.32	1.9	1	329/22	2BC
	44	15	15	11.5	26.0	30.2	8000	10000	0.100	0.40	1.5	0.8	320/22	3CC
	47	15	15	11.5	28.0	34.0	7500	9500	0.11	0.43	1.4	0.8	32005	4CC
25	47	17	17	14	32.5	42.5	7500	9500	0.129	0.29	2.1	1.1	33005	2CE
	52	16.25	15	13	32.2	37.0	7000	9000	0.154	0.37	1.6	0.9	30205	3CC
	52	22	22	18	47.0	55.8	7000	9000	0.216	0.35	1.7	0.9	33205	2DE
	62	18.25	17	15	46.8	48.0	6300	8000	0.263	0.3	2	1.1	30305	2FB
	62	18.25	17	13	40.5	46.0	6300	8000	0.262	0.83	0.7	0.4	31305	7FB
	62	25.25	24	20	61.5	68.8	6300	8000	0.368	0.3	2	1.1	32305	2FD
	45	12	12	9	16.8	22.8	7500	9500	0.069	0.32	1.9	1	329/28	2BD
52	16	16	12	31.5	40.5	6700	8500	0.142	0.43	1.4	0.8	320/28	4CC	
30	58	24	24	19	58.0	68.2	6300	8000	0.286	0.34	1.8	1.0	332/28	2DE
	47	12	12	9	17.0	23.2	7000	9000	0.072	0.32	1.9	1	32906	2BD
	55	47	16	14	27.8	35.5	6300	8000	0.16	0.26	2.3	1.3	32006X2	-
	55	17	17	13	35.8	46.8	6300	8000	0.170	0.43	1.4	0.8	32006	4CC
	55	20	20	16	43.8	58.8	6300	8000	0.201	0.29	2.1	1.1	33006	2CE
	62	17.25	16	14	43.2	50.5	6000	7500	0.231	0.37	1.6	0.9	30206	3DB
	62	21.25	20	17	51.8	63.8	6000	7500	0.287	0.37	1.6	0.9	32206	3DC
	62	25	25	19	63.8	75.5	6000	7500	0.342	0.34	1.8	1	33206	2DE
	72	20.75	19	16	59.0	63.0	5600	7000	0.387	0.31	1.9	1.1	30306	2FB
72	20.75	19	14	52.5	60.5	5600	7000	0.392	0.83	0.7	0.4	31306	7FB	
72	28.75	27	23	81.5	96.5	5600	7000	0.562	0.31	1.9	1.1	32306	2FD	



<i>d</i>	<i>a</i> ≈	<i>r_s</i> min	<i>r_{ls}</i> min	<i>d_a</i> min	<i>d_b</i> max	<i>D_a</i> min	<i>D_a</i> max	<i>D_b</i> min	<i>a₁</i> min	<i>a₂</i> min	<i>r_{as}</i> max	<i>r_{bs}</i> max	
15	9.6	1	1	21	22	36	36	38	2	3.5	1	1	7302 E
17	9.9	1	1	23	23	34	34	37	2	2.5	1	1	7203 E
	10.4	1	1	23	25	40	41	43	3	3.5	1	1	7303 E
	12.3	1	1	23	24	39	41	43	3	4.5	1	1	7603 E
20	8.2	0.3	0.3	—	—	—	—	—	—	—	0.3	0.3	2007904 E
	10.3	0.6	0.6	25	25	36	37	39	3	3	0.6	0.6	2007104 E
	11.2	1	1	26	27	40	41	43	2	3.5	1	1	7204 E
	11.1	1.5	1.5	27	28	44	45	48	3	3.5	1.5	1.5	7304 E
22	13.6	1.5	1.5	27	26	43	45	48	3	4.5	1.5	1.5	7604 E
	8.5	0.3	0.3	—	—	—	—	—	—	—	0.3	0.3	20079/22 F
	10.8	0.6	0.6	27	27	38	39	41	3	3.5	0.6	0.6	20071/22 E
25	8.7	0.3	0.3	—	—	—	—	—	—	—	0.3	0.3	2007905 E
	11.6	0.6	0.6	30	30	40	42	44	3	3.5	0.6	0.6	2007105 E
	11.1	0.6	0.6	30	30	40	42	45	3	3	0.6	0.6	3007105 E
	12.5	1	1	31	31	44	46	48	2	3.5	1	1	7205 E
28	14.0	1	1	31	30	43	46	49	4	4	1	1	3007205 E
	13.0	1.5	1.5	32	34	54	55	58	3	3.5	1.5	1.5	7305 E
	20.1	1.5	1.5	32	31	47	55	59	3	5.5	1.5	1.5	27305 E
	15.9	1.5	1.5	32	32	52	55	58	3	5.5	1.5	1.5	7605 E
	9.0	0.3	0.3	—	—	—	—	—	—	—	0.3	0.3	20079/28 E
	12.6	1	1	34	33	45	46	49	3	4	1	1	20071/28 E
	15.0	1	1	34	33	49	52	55	4	5	1	1	30072/28 E
30	9.2	0.3	0.3	—	—	—	—	—	—	—	0.3	0.3	2007906 E
	12.0	1	1	—	—	—	—	—	3	5	—	—	2007106
	13.3	1	1	36	35	48	49	52	3	4	1	1	2007106 E
	12.8	1	1	36	35	48	49	52	3	4	1	1	3007106 E
	13.8	1	1	36	37	53	56	58	2	3.5	1	1	7206 E
	15.6	1	1	36	36	52	56	58	3	4.5	1	1	7506 E
	15.7	1	1	36	36	53	56	59	5	5.5	1	1	3007206 E
	15.3	1.5	1.5	37	40	62	65	66	3	5	1.5	1.5	7306 E
30	23.1	1.5	1.5	37	37	55	65	68	3	7	1.5	1.5	27306 E
	18.9	1.5	1.5	37	38	59	65	66	4	6	1.5	1.5	7606 E

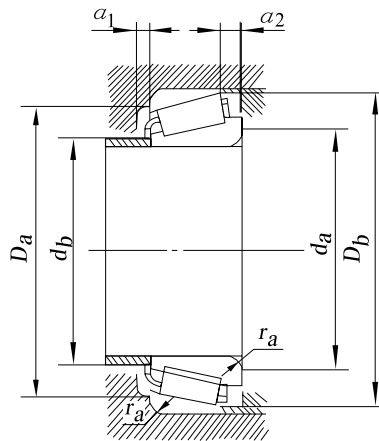
GMB Matric Series



30000 Model

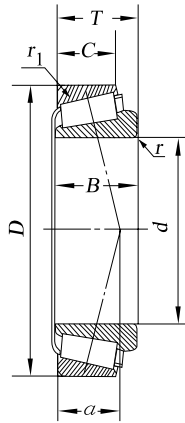
d 32 ~ 45mm

d	Boundary dimensions mm				Basic load ratings /kN		Limiting speeds /(r/min)		Mass /Kg	e	Y	Y ₀	30000 Model	ISO355
	D	T	B	C	C _r	C _{or}	grease	oil	W ≈					
32	52	14	14	10	23.8	32.5	6300	8000	0.106	0.32	1.9	1	329/32	2BD
	58	17	17	13	36.5	49.2	6000	7500	0.187	0.45	1.3	0.7	320/32	4CC
	65	26	26	20.5	68.8	82.2	5600	7000	0.385	0.35	1.7	1	332/32	2DE
35	55	14	14	11.5	25.8	34.8	6000	7500	0.114	0.29	2.1	1.1	32907	2BD
	62	18	17	15	33.8	47.2	5600	7000	0.21	0.29	2.1	1.1	32007 X2	-
	62	18	18	14	43.2	59.2	5600	7000	0.224	0.44	1.4	0.8	32007	4CC
	62	21	21	17	46.8	63.2	5600	7000	0.254	0.31	2	1.1	33007	2CE
	72	18.25	17	15	54.2	63.5	5300	6700	0.331	0.37	1.6	0.9	30207	3DB
	72	24.25	23	19	70.5	89.5	5300	6700	0.445	0.37	1.6	0.9	32207	3DC
	72	28	28	22	82.5	102	5300	6700	0.515	0.35	1.7	0.9	33207	2DE
40	80	22.75	21	18	75.2	82.5	5000	6300	0.515	0.31	1.9	1.1	30307	2FB
	80	22.75	21	15	65.8	76.8	5000	6300	0.514	0.83	0.7	0.4	31307	7FB
	80	32.75	31	25	99.0	118	5000	6300	0.763	0.31	1.9	1.1	32307	2FE
	62	15	14	12	21.2	28.2	5600	7000	0.14	0.28	2.1	1.2	32908 X2	-
	62	15	15	12	31.5	46.0	5600	7000	0.155	0.29	2.1	1.1	32908	2BC
	68	19	18	16	39.8	55.2	5300	6700	0.27	0.3	2	1.1	32008 X2	-
	68	19	19	14.5	51.8	71.0	5300	6700	0.267	0.38	1.6	0.9	32008	3CD
	68	22	22	18	60.2	79.5	5300	6700	0.306	0.28	2.1	1.2	33008	2BE
	75	26	26	20.5	84.8	110	5000	6300	0.496	0.36	1.7	0.9	33108	2CE
	80	19.75	18	16	63.0	74.0	5000	6300	0.422	0.37	1.6	0.9	30208	3DB
45	80	24.75	23	19	77.8	97.2	5000	6300	0.532	0.37	1.6	0.9	32208	3DC
	80	32	32	25	105	135	5000	6300	0.715	0.36	1.7	0.9	33208	2DE
	90	25.25	23	20	90.8	108	4500	5600	0.747	0.35	1.7	1	30308	2FB
	90	25.25	23	17	81.5	96.5	4500	5600	0.727	0.83	0.7	0.4	31308	7FB
	90	35.25	33	27	115	148	4500	5600	1.04	0.35	1.7	1	32308	2FD
	68	15	14	12	22.2	32.8	5300	6700		0.31	1.9	1.1	32909 X2	-
	68	15	15	12	32.0	48.5	5300	6700	0.180	0.32	1.9	1	32909	2BC
	75	20	19	16	44.5	62.5	5000	6300	0.32	0.3	2	1.1	32009 X2	-
	75	20	20	15.5	58.5	81.5	5000	6300	0.337	0.39	1.5	0.8	32009	3CC
	75	24	24	19	72.5	100	5000	6300	0.398	0.32	1.9	1	33009	2CE
45	80	26	26	20.5	87.0	118	4500	5600	0.535	0.38	1.6	1	33109	3CE
	85	20.75	19	16	67.8	83.5	4500	5600	0.474	0.4	1.5	0.8	30209	3DB
	85	24.75	23	19	80.8	105	4500	5600	0.573	0.4	1.5	0.8	32209	3DC
	85	32	32	25	110	145	4500	5600	0.771	0.39	1.5	0.9	33209	3DE
	100	27.25	25	22	108	130	4000	5000	0.984	0.35	1.7	1	30309	2FB



d	a ≈	r_s min	r_{ls} min	d_a min	d_b max	D_a min	D_a max	D_b min	a_1 min	a_2 min	r_{as} max	r_{bs} max	
32	10.2	0.6	0.6	37	37	46	47	49	3	4	0.6	0.6	20079/32 E
	14.0	1	1	38	38	50	52	55	3	4	1	1	20071/32 E
	16.6	1	1	38	38	55	59	62	5	5.5	1	1	30072/32 E
35	10.1	0.6	0.6	40	40	49	50	52	3	2.5	0.6	0.6	2007907 E
	14.0	1	1	-	-	-	-	-	3	5	1	1	2007107
	15.1	1	1	41	40	54	56	59	4	4	1	1	2007107 E
	13.5	1	1	41	41	54	56	59	3	4	1	1	3007107 E
	15.3	1.5	1.5	42	44	62	65	67	3	3.5	1.5	1.5	7207 E
	17.9	1.5	1.5	42	42	61	65	68	3	5.5	1.5	1.5	7507 E
	18.2	1.5	1.5	42	42	70	65	68	5	6	1.5	1.5	3007207 E
	16.8	2	1.5	44	45	62	71	74	3	5	2	1.5	7307 E
	25.8	2	1.5	44	42	66	71	76	4	8	2	1.5	27307 E
40	20.4	2	1.5	44	43	66	71	74	4	8.5	2	1.5	7607 E
	12.0	0.6	0.6	-	-	-	-	-	3	5	0.6	0.6	2007908
	11.1	0.6	0.6	45	45	55	57	59	3	3	0.6	0.6	2007908 E
	15.0	1	1	-	-	-	-	-	3	5	1	1	2007108
	14.9	1	1	46	46	60	62	65	4	4.5	1	1	2007108 E
	14.1	1	1	46	46	60	62	64	3	4	1	1	3007108 E
	18.0	1.5	1.5	47	47	65	68	71	4	5.5	1.5	1.5	3007708 E
	16.9	1.5	1.5	47	49	69	73	75	3	4	1.5	1.5	7208 E
	18.9	1.5	1.5	47	48	68	73	75	3	6	1.5	1.5	7508 E
	20.8	1.5	1.5	47	47	67	73	76	5	7	1.5	1.5	3007208 E
	45	19.5	2	1.5	49	52	77	81	84	3	5.5	2	1.5
29.0		2	1.5	49	48	71	81	87	4	8.5	2	1.5	27308 E
23.3		2	1.5	49	49	73	81	83	4	8.5	2	1.5	7608 E
13.0		0.6	0.6	-	-	-	-	-	3	5	0.6	0.6	2007909
12.2		0.6	0.6	50	50	61	63	65	3	3	0.6	0.6	2007909 E
16.0		1	1	-	-	-	-	-	4	6	1	1	2007109
16.5		1	1	51	51	67	69	72	4	4.5	1	1	2007109 E
15.9		1	1	51	51	67	69	72	4	5	1	1	3007109 E
19.1		1.5	1.5	52	52	69	73	77	4	5.5	1.5	1.5	3007709 E
18.6		1.5	1.5	52	53	74	78	80	3	5	1.5	1.5	7209 E
20.1		1.5	1.5	52	53	73	78	81	3	6	1.5	1.5	7509 E
21.9		1.5	1.5	52	52	72	78	81	5	7	1.5	1.5	3007209 E
21.3		2	1.5	54	59	86	91	94	3	5.5	2	1.5	7309 E

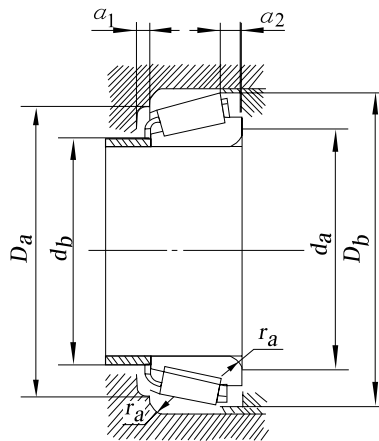
GMB Matric Series



30000 Model

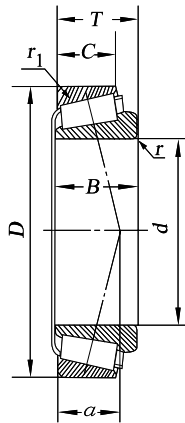
d 45 ~ 60mm

d	Boundary dimensions mm				Basic load ratings /kN		Limiting speeds /(r/min)		Mass /Kg	e	Y	Y ₀	30000 Model	ISO355
	D	T	B	C	C _r	C _{or}	grease	oil	W ≈					
45	100	27.25	25	18	95.5	115	4000	5000	0.944	0.83	0.7	0.4	31309	7FB
	100	38.25	36	30	145	188	4000	5000	1.40	0.35	1.7	1	32309	2FD
50	72	15	14	12	22.2	32.8	5000	6300	0.7	0.35	1.7	0.9	32910 X2	-
	72	15	15	12	36.8	56.0	5000	6300	0.181	0.34	1.8	1	32910	2BC
	80	20	19	16	45.8	66.2	4500	5600	0.31	0.32	1.9	1	32010 X2	-
	80	20	20	15.5	61.0	89.0	4500	5600	0.366	0.42	1.4	0.8	32010	3CC
	80	24	24	19	76.8	110	4500	5600	0.433	0.32	1.9	1	33010	2CE
	85	26	26	20	89.2	125	4300	5300	0.572	0.41	1.5	0.8	33110	3CE
	90	21.75	20	17	73.2	92.0	4300	5300	0.529	0.42	1.4	0.8	30210	3DB
	90	24.75	23	19	82.8	108	4300	5300	0.626	0.42	1.4	0.8	32210	3DC
	90	32	32	24.5	112	155	4300	5300	0.825	0.41	1.5	0.8	33210	3DE
	110	29.25	27	23	130	158	3800	4800	1.28	0.35	1.7	1	30310	2FB
55	110	29.25	27	19	108	128	3800	4800	1.21	0.83	0.7	0.4	31310	7FB
	110	42.25	40	33	178	235	3800	4800	1.89	0.35	1.7	1	32310	2FD
	80	17	17	14	41.5	66.8	4800	6000	0.262	0.31	1.9	1.1	32911	2BC
	90	23	22	19	63.8	93.2	4000	5000	0.53	0.31	1.9	1.1	32011 X2	-
	90	23	23	17.5	80.2	118	4000	5000	0.551	0.41	1.5	0.8	32011	3CC
	90	27	27	21	94.8	145	4000	5000	0.651	0.31	1.9	1.1	33011	2CE
	95	30	30	23	115	165	3800	4800	0.843	0.37	1.6	0.9	33111	3CE
	100	22.75	21	18	90.8	115	3800	4800	0.713	0.4	1.5	0.8	30211	3DB
	100	26.75	25	21	108	142	3800	4800	0.853	0.4	1.5	0.8	32211	3DC
	100	35	35	27	142	198	3800	4800	1.15	0.4	1.5	0.8	33211	3DE
	120	31.5	29	25	152	188	3400	4300	1.63	0.35	1.7	1	30311	2FB
	120	31.5	29	21	130	158	3400	4300	1.56	0.83	0.7	0.4	31311	7FB
	120	45.5	43	35	202	270	3400	4300	2.37	0.35	1.7	1	32311	2FD
60	85	17	16	14	34.5	56.5	4000	5000	0.24	0.38	1.6	0.9	32912X2	-
	85	17	17	14	46.0	73.0	4000	5000	0.279	0.33	1.8	1	32912	2BC
	95	23	22	19	64.8	98.0	3800	4800	0.56	0.33	1.8	1	32012X2	-
	95	23	23	17.5	81.8	122	3800	4800	0.584	0.43	1.4	0.8	32012	4CC
	95	27	27	21	96.8	150	3800	4800	0.691	0.33	1.8	1	33012	2CE
	100	30	30	23	118	172	3600	4500	0.895	0.4	1.5	0.8	33112	3CE
	110	23.75	22	19	102	130	3600	4500	0.904	0.4	1.5	0.8	30212	3EB
	110	29.75	28	24	132	180	3600	4500	1.17	0.4	1.5	0.8	32212	3EC
	110	38	38	29	165	230	3600	4500	1.51	0.4	1.5	0.8	33212	3EE
130	33.5	31	26	170	210	3200	4000	1.99	0.35	1.7	1	30312	2FB	



<i>d</i>	<i>a</i> ≈	<i>r_s</i> min	<i>r_{1s}</i> min	<i>d_a</i> min	<i>d_b</i> max	<i>D_a</i> min	<i>D_a</i> max	<i>D_b</i> min	<i>a₁</i> min	<i>a₂</i> min	<i>r_{as}</i> max	<i>r_{bs}</i> max	
45	31.7	2	1.5	54	54	79	91	96	4	9.5	2.0	1.5	27309 E
	25.6	2	1.5	54	56	82	91	93	4	8.5	2.0	1.5	7609 E
50	15.0	0.6	0.6	—	—	—	—	—	3	5	0.6	0.6	2007910
	13.0	0.6	0.6	55	55	64	67	69	3	3	0.6	0.6	2007910 E
	17.0	1	1	—	—	—	—	—	4	6	1	1	2007110
	17.8	1	1	56	56	72	74	77	4	4.5	1	1	2007110 E
	17.0	1	1	56	56	72	74	76	4	5	1	1	3007110 E
	20.4	1.5	1.5	57	56	74	78	82	4	6	1.5	1.5	3007710 E
	20.0	1.5	1.5	57	58	79	83	86	3	5	1.5	1.5	7210 E
	21.0	1.5	1.5	57	57	78	83	86	3	6	1.5	1.5	7510 E
	23.2	1.5	1.5	57	57	77	83	87	5	7.5	1.5	1.5	3007210 E
	23.0	2.5	2	60	65	95	100	103	4	6.5	2	2	7310 E
	34.8	2.5	2	60	58	87	100	105	4	10.5	2	2	27310 E
	28.2	2.5	2	60	61	90	100	102	5	9.5	2	2	7610 E
55	14.3	1	1	61	60	71	74	77	3	3	1	1	2007911 E
	19.0	1.5	1.5	—	—	—	—	—	4	6	1.5	1.5	2007111
	19.8	1.5	1.5	62	63	81	83	86	4	5.5	1.5	1.5	2007111 E
	19.0	1.5	1.5	62	63	81	83	86	5	6	1.5	1.5	3007111 E
	21.9	1.5	1.5	62	62	83	88	91	5	7	1.5	1.5	3007711 E
	21.0	2	1.5	64	64	88	91	95	4	5	2	1.5	7211 E
	22.8	2	1.5	64	62	87	91	96	4	6	2	1.5	7511 E
	25.1	2	1.5	64	62	85	91	96	6	8	2	1.5	3007211 E
	24.9	2.5	2	65	70	104	110	112	4	6.5	2.5	2	7311 E
	37.5	2.5	2	65	63	94	110	114	4	10.5	2.5	2	27311 E
	30.4	2.5	2	65	66	99	110	111	5	10	2.5	2	7611 E
	60	18.0	1	1	—	—	—	—	—	3	5	1	1
15.1		1	1	66	65	75	79	82	3	3	1	1	20074912 E
20.0		1.5	1.5	—	—	—	—	—	4	6	1.5	1.5	2007112
20.9		1.5	1.5	67	67	85	88	91	4	5.5	1.5	1.5	2007112 E
19.8		1.5	1.5	67	67	85	88	90	5	6	1.5	1.5	3007112 E
23.1		1.5	1.5	67	67	88	93	96	5	7	1.5	1.5	3007712 E
22.3		2	1.5	69	69	96	101	103	4	5	2	1.5	7212 E
25.0		2	1.5	69	68	95	101	105	4	6	2	1.5	7512 E
27.5		2	1.5	69	69	93	101	105	6	9	2	1.5	3007212 E
26.6		3	2.5	72	76	112	118	121	5	7.5	2.5	2.1	7312 E

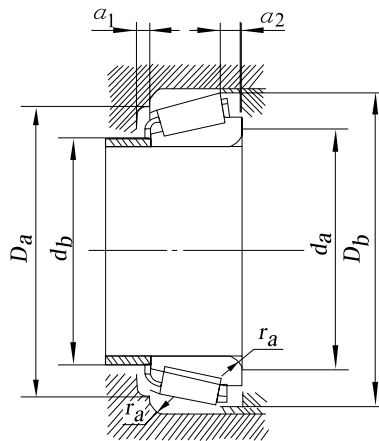
GMB Matric Series



30000 Model

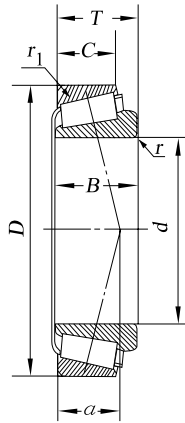
d 60 ~ 75mm

Boundary dimensions mm				Basic load ratings /kN			Limiting speeds /(r/min)		Mass /Kg					30000 Model	ISO355
d	D	T	B	C	C _r	C _{or}	grease	oil	W ≈	e	Y	Y ₀			
60	130	33.5	31	22	145	178	3200	4000	1.90	0.83	0.7	0.4	31312	7FB	
	130	48.5	46	37	228	302	3200	4000	2.90	0.35	1.7	1	32312	2FD	
65	90	17	17	14	45.5	73.2	3800	4800	0.295	0.35	1.7	0.9	32913	2BC	
	100	23	22	19	67.0	102	3600	4500	0.63	0.35	1.7	0.9	32013 X2	-	
	100	23	23	17.5	82.8	128	3600	4500	0.620	0.46	1.3	0.7	32013	4CC	
	100	27	27	21	98.0	158	3600	4500	0.732	0.35	1.7	1	33013	2CE	
	110	34	34	26.5	142	220	3400	4300	1.30	0.39	1.6	0.9	33113	3DE	
	120	24.75	23	20	120	152	3200	4000	1.13	0.4	1.5	0.8	30213	3EB	
	120	32.75	31	27	160	222	3200	4000	1.55	0.4	1.5	0.8	32213	3EC	
	120	41	41	32	202	282	3200	4000	1.99	0.39	1.5	0.9	33213	3EE	
	140	36	33	28	195	242	2800	3600	2.44	0.35	1.7	1	30313	2GB	
	140	36	33	23	165	202	2800	3600	2.37	0.83	0.7	0.4	31313	7GB	
70	140	51	48	39	260	350	2800	3600	3.51	0.35	1.7	1	32313	2GD	
	100	20	19	16	53.2	85.5	3600	4500	-	0.33	1.8	1	32914 X2	-	
	100	20	20	16	70.8	115	3600	4500	0.471	0.32	1.9	1	32914	2BC	
	110	25	24	20	83.8	128	3400	4300	0.85	0.34	1.8	1	32014 X2	-	
	110	25	25	19	105	160	3400	4300	0.839	0.43	1.4	0.8	32014	4CC	
	110	31	31	25.5	135	220	3400	4300	1.07	0.28	2	1	33014	2CE	
	120	37	37	29	172	368	3200	4000	1.70	0.39	1.5	1.2	33114	3DE	
	125	26.25	24	21	132	175	3000	3800	1.26	0.42	1.4	0.8	30214	3EB	
	125	33.25	31	27	168	238	3000	3800	1.64	0.42	1.4	0.8	32214	3EC	
	125	41	41	32	208	298	3000	3800	2.10	0.41	1.5	0.8	33214	3EE	
	150	38	35	30	218	272	2600	3400	2.98	0.35	1.7	1	30314	2GB	
	150	38	35	25	188	230	2600	3400	2.86	0.83	0.7	0.4	31314	7GB	
	150	54	51	42	298	408	2600	3400	4.34	0.35	1.7	1	32314	2GD	
75	105	20	20	16	78.2	125	3400	4300	0.490	0.33	1.8	1	32915	2BC	
	115	25	24	20	85.2	135	3200	4000	0.88	0.35	1.7	0.9	32015 X2	-	
	115	25	25	19	102	160	3200	4000	0.875	0.46	1.3	0.7	32015	4CC	
	115	31	31	25.5	132	220	3200	4000	1.12	0.3	2	1	33015	2CE	
	125	37	37	29	175	280	3000	3800	1.78	0.4	1.5	0.8	33115	3DE	
	130	27.25	25	22	138	185	2800	3600	1.36	0.44	1.4	0.8	30215	4DB	
	130	33.25	31	27	170	242	2800	3600	1.74	0.44	1.4	0.8	32215	4DC	
	130	41	41	31	208	300	2800	3600	2.17	0.43	1.4	0.8	33215	3EE	
	160	40	37	31	252	318	2400	3200	3.57	0.35	1.7	1	30315	2GB	
	160	40	37	26	208	258	2400	3200	3.38	0.83	0.7	0.4	31315	7GB	



d	a ≈	r_s min	r_{ls} min	d_a min	d_b max	D_a min	D_a max	D_b min	a_1 min	a_2 min	r_{as} max	r_{bs} max	
60	40.4	3	2.5	72	69	103	118	124	5	11.5	2.5	2.1	273012 E
	32.0	3	2.5	72	72	107	118	122	6	11.5	2.5	2.1	7612 E
65	16.2	1	1	71	70	80	84	87	3	3	1	1	2007913 E
	21.0	1.5	1.5	-	-	-	-	-	4	6	1.5	1.5	2007113
	22.4	1.5	1.5	72	72	90	93	97	4	5.5	1.5	1.5	2007113 E
	20.9	1.5	1.5	72	72	89	93	96	5	6	1.5	1.5	3007113 E
	26.0	1.5	1.5	72	73	96	103	106	6	7.5	1.5	1.5	3007713 E
	23.8	2	1.5	74	77	106	111	114	4	5	2	1.5	7213 E
	27.3	2	1.5	74	75	104	111	115	4	6	2	1.5	7513 E
	29.5	2	1.5	74	74	102	111	115	7	9	2	1.5	3007213 E
	28.7	3	2.5	77	83	122	128	131	5	8	2.5	2.1	7313 E
	44.2	3	2.5	77	75	111	128	134	5	13	2.5	2.1	27313 E
	34.3	3	2.5	77	79	117	128	131	6	12	2.5	2.1	7613 E
70	19.0	1	1	-	-	-	-	-	4	6	1	1	2007914
	17.6	1	1	76	76	90	94	96	4	4	1	1	2007914 E
	23.0	1.5	1.5	-	-	-	-	-	5	7	1.5	1.5	2007114
	23.8	1.5	1.5	77	78	98	103	105	5	6	1.5	1.5	2007114 E
	22.0	1.5	1.5	77	79	99	103	105	5	5.5	1.5	1.5	3007114 E
	28.2	2	1.5	79	79	104	111	115	6	8	2	1.5	3007714 E
	25.8	2	1.5	79	81	110	116	119	4	5.5	2	1.5	7214 E
	28.8	2	1.5	79	79	108	116	120	4	6.5	2	1.5	7514 E
	30.7	2	1.5	79	79	107	116	120	7	9	2	1.5	3007214 E
	30.7	3	2.5	82	89	130	138	141	5	8	2.5	2.1	7314 E
	46.8	3	2.5	82	80	118	138	143	5	13	2.5	2.1	27314 E
75	36.5	3	2.5	82	84	125	138	141	6	12	2.5	2.1	7614 E
	18.5	1	1	81	81	94	99	102	4	4	1	1	2007915 E
	24.0	1.5	1.5	-	-	-	-	-	5	7	1.5	1.5	2007115
	25.2	1.5	1.5	82	83	103	108	110	5	6	1.5	1.5	2007115 E
	22.8	1.5	1.5	82	83	103	108	110	6	5.5	1.5	1.5	3007115 E
	29.4	2	1.5	84	84	109	116	120	6	8	2	1.5	3007715 E
	27.4	2	1.5	84	85	115	121	125	4	5.5	2	1.5	7215 E
	30.3	2	1.5	84	84	115	121	126	4	6.5	2	1.5	7515 E
	31.9	2	1.5	84	83	111	121	125	7	10	2	1.5	3007215 E
	32.0	3	2.5	87	95	139	148	150	5	9	2.5	2.1	7315 E
	49.7	3	2.5	87	86	127	148	153	6	14	2.5	2.1	27315 E

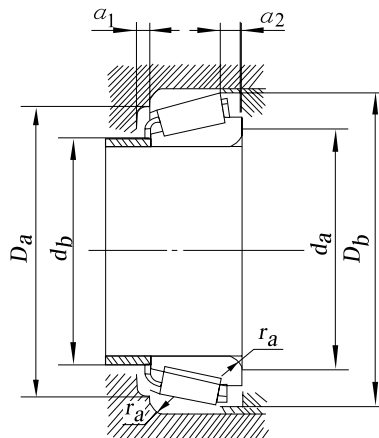
GMB Matric Series



30000 Model

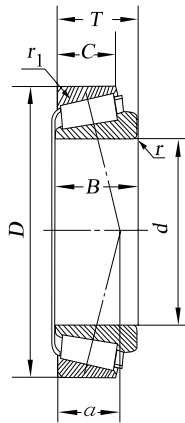
d 75 ~ 90mm

d	Boundary dimensions mm				Basic load ratings /kN		Limiting speeds /(r/min)		Mass /Kg		Y	Y ₀	30000 Model	ISO355
	D	T	B	C	C _r	C _{or}	grease	oil	W ≈	e				
75	160	58	55	45	348	482	2400	3200	5.37	0.35	1.7	1	32315	2GD
80	110	20	20	16	79.2	128	3200	4000	0.514	.035	1.7	0.9	32916	2BC
	125	29	27	23	102	162	3000	3800	1.18	.034	1.8	1	32016 X2	-
	125	29	29	22	140	220	3000	3800	1.27	0.42	1.4	0.8	32016	3CC
	125	36	36	29.5	182	305	3000	3800	1.63	0.28	2.2	1.2	33016	2CE
	130	37	37	29	180	292	2800	3600	1.87	0.42	1.4	0.8	33116	3DE
	140	28.25	26	22	160	212	2600	3400	1.67	0.42	1.4	0.8	30216	3EB
	140	35.25	33	28	198	278	2600	3400	2.13	0.42	1.4	0.8	32216	3EC
	140	46	46	35	245	362	2600	3400	2.83	0.43	1.4	0.8	33216	3EE
	170	42.5	39	33	278	352	2200	3000	4.27	0.35	1.7	1	30316	2GB
	170	42.5	39	27	230	288	2200	3000	4.05	0.83	0.7	0.4	31316	7GB
	170	61.5	58	48	388	542	2200	3000	6.38	0.35	1.7	1	32316	2GD
85	120	23	22	29	74.2	125	3400	3800	0.73	0.26	2.3	1.3	32917 X2	-
	120	23	23	18	96.8	165	3400	3800	0.767	0.33	1.8	1	32917	2BC
	130	29	27	23	105	170	2800	3600	1.25	0.35	1.7	0.9	32017 X2	-
	130	29	29	22	140	220	2800	3600	1.32	0.44	1.4	0.8	32017	4CC
	130	36	36	29.5	180	305	2800	3600	1.69	0.29	2.1	1.1	33017	2CE
	140	41	41	32	215	355	2600	3400	2.43	0.41	1.5	0.8	33117	3DE
	150	30.5	28	24	178	238	2400	3200	2.06	0.42	1.4	0.8	30217	3EB
	150	38.5	36	30	228	325	2400	3200	2.68	0.42	1.4	0.8	32217	3EC
	150	49	49	37	282	415	2400	3200	3.52	0.42	1.4	0.8	33217	3EE
	180	44.5	41	34	305	388	2000	2800	4.96	0.35	1.7	1	30317	3GB
	180	44.5	41	28	255	318	2000	2800	4.96	0.83	0.7	0.4	31317	7GB
	180	63.5	60	49	422	592	2000	2800	7.31	0.35	1.7	1	32317	2GD
90	125	23	22	19	77.8	140	3200	3600	-	0.38	1.6	0.9	32918 X2	-
	125	23	23	18	95.8	165	3200	3600	0.796	0.34	1.8	1	32918	2BC
	140	32	30	26	122	192	2600	3400	1.7	0.34	1.8	1	32018 X2	-
	140	32	32	24	170	270	2600	3400	1.72	0.42	1.4	0.8	32018	3CC
	140	39	39	32.5	232	388	2600	3400	2.20	0.27	2.2	1.2	33018	2CE
	150	45	45	35	252	415	2400	3200	3.13	0.4	1.5	0.8	33118	3DE
	160	32.5	30	26	200	270	2200	3000	2.54	0.42	1.4	0.8	30218	3FB
	160	42.5	40	34	270	395	2200	3000	3.44	0.42	1.4	0.8	32218	3FC
	160	55	55	42	330	500	2200	3000	4.55	0.4	1.5	0.8	33218	3FE
	190	46.5	43	36	342	440	1900	2600	5.80	0.35	1.7	1	30318	2GB
	190	46.5	43	30	282	358	1900	2600	5.46	0.83	0.7	0.4	31318	7GB



<i>d</i>	<i>a</i> ≈	<i>r_s</i> min	<i>r_{1s}</i> min	<i>d_a</i> min	<i>d_b</i> max	<i>D_a</i> min	<i>D_a</i> max	<i>D_b</i> min	<i>a₁</i> min	<i>a₂</i> min	<i>r_{as}</i> max	<i>r_{bs}</i> max	
75	39.4	3	2.5	87	91	133	148	150	7	13	2.5	2.1	7615 E
80	19.6	1	1	86	85	99	104	107	4	4	1	1	2007916 E
	26.0	1.5	1.5	—	—	—	—	—	5	8	1.5	1.5	2007116
	26.8	1.5	1.5	87	89	112	117	120	6	7	1.5	1.5	7007116 E
	25.2	1.5	1.5	87	80	112	117	119	6	7	1.5	1.5	3007116 E
	30.7	2	1.5	89	89	114	121	126	6	8	2	1.5	3007716 E
	28.1	2.5	2	90	90	124	130	133	4	6	2.1	2	7216 E
	31.4	2.5	2	90	89	122	130	135	5	7.5	2.1	2	7516 E
	35.1	2.5	2	90	89	119	130	135	7	11	2.1	2	3007216 E
	34.4	3	2.5	92	102	148	158	160	5	9.5	2.5	2.1	7316 E
	52.8	3	2.5	92	91	134	158	161	6	15.5	2.5	2.1	27316 E
85	42.1	3	2.5	92	97	142	158	160	7	13.5	2.5	2.1	7616 E
	21.0	1.5	1.5	—	—	—	—	—	4	6	1.5	1.5	2007917
	21.1	1.5	1.5	92	92	111	113	115	4	5	1.5	1.5	2007917 E
	27.0	1.5	1.5	—	—	—	—	—	5	8	1.5	1.5	2007117
	28.1	1.5	1.5	92	94	117	122	125	6	7	1.5	1.5	2007117 E
	26.2	1.5	1.5	92	94	118	122	125	6	6.5	1.5	1.5	3007117 E
	33.1	2.5	2	95	95	122	130	135	7	9	2.1	2	3007717 E
	30.3	2.5	2	95	96	132	140	142	5	6.5	2.1	2	7217 E
	33.9	2.5	2	95	95	130	140	143	5	8.5	2.1	2	7517 E
	36.9	2.5	2	95	95	128	140	144	7	12	2.1	2	3007217 E
90	35.9	4	3	99	107	156	166	168	6	10.5	3	2.5	7317 E
	55.6	4	3	99	96	143	166	171	6	16.5	3	2.5	27317 E
	43.5	4	3	99	102	150	166	168	8	14.5	3	2.5	7617 E
	25.0	1.5	1.5	—	—	—	—	—	4	6	1.5	1.5	2007918
	22.2	1.5	1.5	97	96	113	117	121	4	5	1.5	1.5	2007918 E
	29.0	2	1.5	—	—	—	—	—	5	8	2	1.5	2007118
	30.0	2	1.5	99	100	125	131	134	6	8	2	1.5	2007118 E
	27.2	2	1.5	99	100	127	131	135	7	6.5	2	1.5	3007118 E
	34.9	2.5	2	100	100	130	140	144	7	10	2.1	2	3007718 E
	32.3	2.5	2	100	102	140	150	151	5	6.5	2.1	2	7218 E
95	36.8	2.5	2	100	101	138	150	153	5	8.5	2.1	2	7518 E
	40.8	2.5	2	100	100	134	150	154	8	13	2.1	2	3007218 E
	37.5	4	3	104	113	165	176	178	6	10.5	3	2.5	7318 E
	58.5	4	3	104	102	151	176	181	6	16.5	3	2.5	27318 E

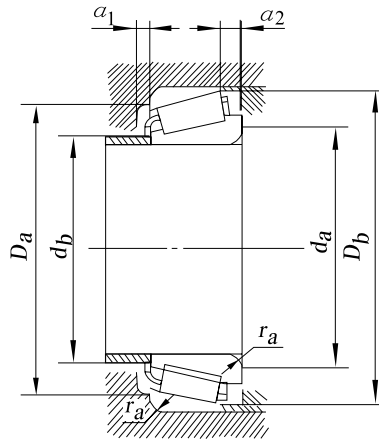
GMB Matric Series



30000 Model

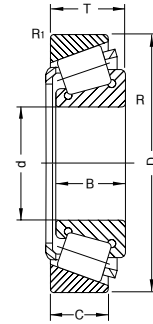
d 90 ~ 105mm

d	Boundary dimensions mm				Basic load ratings /kN		Limiting speeds /(r/min)		Mass /Kg	e	Y	Yo	30000 Model	ISO355
	D	T	B	C	Cr	Cor	grease	oil	W ≈					
90	180	67.5	64	53	478	682	1900	2600	8.81	0.35	1.7	1	32318	2GD
95	130	23	23	18	97.2	170	2600	3400	0.831	0.36	1.7	0.9	32919	2BC
	145	32	30	26	122	192	2400	3200	1.7	0.36	1.7	0.9	32019X2	-
	145	32	32	24	175	280	2400	3200	1.79	0.44	1.4	0.8	32109	4CC
	145	39	39	32.5	230	390	2400	3200	2.26	0.28	2.2	1.2	33019	2CE
	160	49	49	38	298	498	2200	3000	3.94	0.39	1.5	0.8	33119	3EE
	170	34.5	32	27	228	308	2000	2800	3.04	0.42	1.4	0.8	30219	3FB
	170	45.5	43	37	302	448	2000	2800	4.24	0.42	1.4	0.8	32219	3FC
	170	58	58	44	378	568	2000	2800	5.48	0.41	1.5	0.8	33219	3FE
	200	49.5	45	38	370	478	1800	2400	6.80	0.35	1.7	1	30319	2GB
	200	49.5	45	32	310	400	1800	2400	6.46	0.83	0.7	0.4	31319	7GB
	200	71.5	67	55	515	738	1800	2400	10.1	0.35	1.7	1	32319	2GD
100	140	25	25	20	128	218	2400	3200	1.12	0.33	1.8	1	32920	2CC
	150	32	30	26	125	205	2200	3000	1.79	0.37	1.6	0.9	32020X2	-
	150	32	32	24	172	282	2200	3000	1.85	0.46	1.3	0.7	32020	4CC
	150	39	39	32.5	230	390	2200	3000	2.33	0.29	2.1	1.2	33020	2CE
	165	52	52	40	308	528	2000	2800	4.31	0.41	1.5	0.8	33120	3EE
	180	37	34	29	255	350	1900	2600	3.72	0.42	1.4	0.8	30220	3FB
	180	49	46	39	340	512	1900	2600	5.10	0.42	1.4	0.8	32220	3FC
	180	63	63	48	438	665	1900	2600	6.71	0.4	1.5	0.8	33220	3FE
	215	51.5	47	39	405	525	1600	2000	8.22	0.35	1.7	1	30320	2GB
	215	56.5	51	35	372	488	1600	2000	8.59	0.83	0.7	0.4	31320	7GB
	215	77.5	73	60	600	872	1600	2000	13.0	0.35	1.7	1	32320	2GD
105	145	25	25	20	128	225	2200	3000	1.16	0.34	1.8	1	32921	2CC
	160	35	33	28	162	270	2000	2800	2.5	0.36	1.7	0.9	32021X2	-
	160	35	35	26	205	335	2000	2800	2.40	0.44	1.4	0.7	32021	4DC
	160	43	43	34	258	438	2000	2800	2.97	0.28	2.1	1.2	33021	2DE
	175	56	56	44	352	608	1900	2600	5.29	0.4	1.5	0.8	33121	3FE
	190	39	36	30	285	398	1800	2400	4.38	0.42	1.4	0.8	30221	3FB
	190	53	50	43	380	578	1800	2400	6.26	0.42	1.4	0.8	32221	3FC
	190	68	68	52	498	770	1800	2400	8.12	0.4	1.5	0.8	33221	3FE
	225	53.5	49	41	432	562	1500	1900	9.38	0.35	1.7	1	30321	2GB
	225	58	53	36	398	525	1500	1900	9.58	0.83	0.7	0.4	31321	7GB
	225	81.5	77	63	648	945	1500	1900	14.8	0.35	1.7	1	32321	2GD

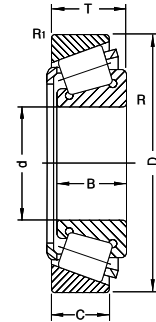


<i>d</i>	<i>a</i> ≈	<i>r_s</i> min	<i>r_{1s}</i> min	<i>d_a</i> min	<i>d_b</i> max	<i>D_{ab}</i> min	<i>D_a</i> max	<i>D</i> min	<i>a₁</i> min	<i>a₂</i> min	<i>r_{as}</i> max	<i>r_{bs}</i> max	
90	46.2	4	3	104	107	157	176	178	8	14.5	3	2.5	7618 E
95	23.4	1.5	1.5	102	101	117	122	126	4	5	1.5	1.5	2007919 E
	30.0	2	1.5	—	—	—	—	—	5	8	2	1.5	2007119
	31.4	2	1.5	104	105	130	136	140	6	8	2	1.5	2007119 E
	28.4	2	1.5	104	104	131	136	139	7	6.5	2	1.5	3007119 E
	37.3	2.5	2	105	105	138	150	154	7	11	2.1	2	3007719 E
	34.2	3	2.5	107	108	149	158	160	5	7.5	2.5	2.1	7219 E
	39.2	3	2.5	107	106	145	158	163	5	8.5	2.5	2.1	7519 E
	42.7	3	2.5	107	105	144	158	163	9	14	2.5	2.1	3007219 E
	40.1	4	3	109	118	172	186	185	6	11.5	3	2.5	7319 E
	61.2	4	3	109	107	157	186	189	6	17.5	3	2.5	27319 E
	49.0	4	3	109	114	166	186	187	8	16.5	3	2.5	7619 E
100	24.3	1.5	1.5	107	108	128	132	136	4	5	1.5	1.5	2007920 E
	32.0	2	1.5	—	—	—	—	—	5	8	2	1.5	2007120
	32.8	2	1.5	109	109	134	141	144	6	8	2	1.5	2007120 E
	29.1	2	1.5	109	108	135	141	143	7	6.5	2	1.5	3007120 E
	40.3	2.5	2	110	110	142	155	159	8	12	2.1	2	3007720 E
	36.4	3	2.5	112	114	157	168	169	5	8	2.5	2.1	7220 E
	41.9	3	2.5	112	113	154	168	172	5	10	2.5	2.1	7520 E
	45.5	3	2.5	112	112	151	168	172	10	15	2.5	2.1	3007220 E
	42.2	4	3	114	127	184	201	199	6	12.5	3	2.5	7320 E
	68.4	4	3	114	115	168	201	204	7	21.5	3	2.5	27320 E
	52.9	4	3	114	122	177	201	201	8	17.5	3	2.5	7620 E
105	25.4	1.5	1.5	112	112	132	137	141	5	5	1.5	1.5	2007921 E
	33.0	2.5	2	—	—	—	—	—	6	9	2.1	2	2007121
	34.6	2.5	2	115	116	142	150	154	6	9	2.1	2	2007121 E
	30.8	2.5	2	115	116	145	150	153	7	9	2.1	2	3007121 E
	42.9	2.5	2	115	115	149	165	170	8	12	2.1	2	3007721 E
	38.5	3	2.5	117	121	165	178	178	6	9	2.5	2.1	7221 E
	45.0	3	2.5	117	118	161	178	182	5	10	2.5	2.1	7521 E
	48.6	3	2.5	117	117	159	178	182	12	16	2.5	2.1	3007221 E
	43.6	4	3	119	133	193	211	208	7	12.5	3	2.5	7321 E
	70.0	4	3	119	121	176	211	213	7	22	3	2.5	27321 E
	55.1	4	3	119	128	185	211	210	8	18.5	3	2.5	7621 E

GMB Inch Series

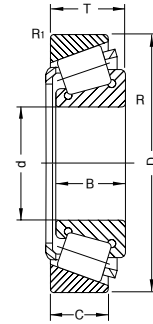


Item No.	Dimension (mm)					R	R1	Cr (KN)	Cor (KN)	a (mm)	Weight (KG)
	d	D	T	B	C						
365 SERIES											
366 / 362	50.000	90.000	20.000	22.225	15.875	2.3	2.0	76.5	90.5	16.1	0.543
366 / 362A	50.000	88.900	20.638	22.225	16.513	2.3	1.3	76.5	90.5	16.1	0.529
366 / 363	50.000	90.000	20.000	22.225	20.000	2.3	0.8	76.5	90.5	16.1	0.544
368 / 362	50.800	90.000	20.000	22.225	15.875	1.5	2.0	76.5	90.5	16.1	0.545
368 / 362A	50.800	88.900	20.638	22.225	16.513	1.5	1.3	76.5	90.5	16.1	0.519
368 / 363	50.800	90.000	20.000	22.225	20.000	1.5	0.8	76.5	90.5	16.1	0.576
368A / 362	50.800	90.000	20.000	22.225	15.875	3.5	2.0	76.5	90.5	16.1	0.525
368A / 362A	50.800	88.900	20.638	22.225	16.513	3.5	1.3	76.5	90.5	16.1	0.516
368A / 363	50.800	90.000	20.000	22.225	20.000	3.5	0.8	76.5	90.5	16.1	0.556
368S / 362	51.592	90.000	20.000	22.225	15.875	2.0	2.0	76.5	90.5	16.0	0.511
368S / 362A	51.592	88.900	20.638	22.225	16.513	2.0	1.3	76.5	90.5	16.1	0.507
369A / 362	47.625	90.000	20.000	22.225	15.875	3.5	2.0	76.5	90.5	16.1	0.578
369A / 362A	47.625	88.900	20.638	22.225	16.513	3.5	1.3	76.5	90.5	16.1	0.559
369A / 363	47.625	90.000	20.000	22.225	20.000	3.5	0.8	76.5	90.5	16.1	0.576
369S / 362	47.625	90.000	20.000	22.225	15.875	2.3	2.0	76.5	90.5	16.1	0.593
369S / 362A	47.625	88.900	20.638	22.225	16.513	2.3	1.3	76.5	90.5	16.1	0.561
369S / 363	47.625	90.000	20.000	22.225	20.000	2.3	0.8	76.5	90.5	16.0	0.596
370A / 362	50.800	90.000	20.000	22.225	15.875	5.0	2.0	76.5	90.5	16.0	0.515
370A / 362A	50.800	88.900	20.638	22.225	16.513	5.0	1.3	76.5	90.5	16.1	0.511
370A / 363	50.800	90.000	20.000	22.225	20.000	5.0	0.8	76.5	90.5	16.1	0.576
385 SERIES											
385 / 382	55.000	98.425	21.000	21.946	17.826	2.3	0.8	78.0	96.5	17.9	0.661
385 / 382A	55.000	96.838	21.000	21.946	15.875	2.3	0.8	78.0	96.5	17.4	0.616
385 / 382S	55.000	96.838	25.400	21.946	20.274	2.3	2.3	78.0	96.5	22.3	0.682
385 / 383A	55.000	100.000	21.000	21.946	17.826	2.3	2.0	78.0	96.5	17.9	0.693
385A / 382	50.800	98.425	21.000	21.946	17.826	2.3	0.8	78.0	96.5	17.9	0.718
385A / 382A	50.800	96.838	21.000	21.946	15.878	2.3	0.8	78.0	96.5	17.4	0.676
385A / 382S	50.800	96.388	25.400	21.946	20.274	2.3	2.3	78.0	96.5	22.3	0.739
385A / 383A	50.800	100.000	21.000	21.946	17.826	2.3	2.0	78.0	96.5	17.9	0.750
385X / 382	55.000	98.425	21.000	21.946	17.826	3.5	0.8	78.0	96.5	17.9	0.659
385X / 382A	55.000	96.838	21.000	21.946	15.875	3.5	0.8	78.0	96.5	17.4	0.164
385X / 382S	55.000	96.838	25.400	21.946	20.274	3.5	2.3	78.0	96.5	22.3	0.645

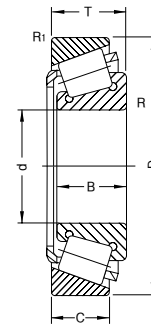


Item No.	Dimension (mm)					R	R1	Cr (KN)	Cor (KN)	a (mm)	Weight (KG)
	d	D	T	B	C						
385X / 383A	55.000	100.000	21.001	21.946	17.826	3.5	2.0	78.0	96.5	17.9	0.644
386A / 382	47.625	98.425	21.001	21.946	17.826	0.8	0.8	78.0	96.5	17.9	0.775
386A / 382A	47.625	96.838	21.000	21.946	15.875	0.8	0.8	78.0	96.5	17.4	0.720
386A / 382S	47.625	96.838	25.400	21.946	20.274	0.8	2.3	78.0	96.5	22.3	0.764
386A / 383A	47.625	100.000	21.001	21.946	17.826	0.8	2.0	78.0	96.5	17.9	0.766
387 / 382	57.150	98.425	21.000	21.946	17.826	2.4	0.8	80.4	101.0	17.4	0.764
387 / 382A	57.150	96.838	21.000	21.946	15.875	2.3	0.8	78.0	96.5	17.4	0.583
387 / 382S	57.150	96.838	25.400	21.946	20.274	2.3	2.3	78.0	96.5	22.3	0.649
387 / 383A	57.150	100.000	21.000	21.946	17.826	2.3	2.0	78.0	96.5	17.9	0.660
387A / 382	57.150	98.425	21.000	21.946	17.826	3.5	0.8	78.0	96.5	17.4	0.628
387A / 382A	57.150	96.838	21.000	21.946	15.875	3.5	0.8	78.0	96.5	17.4	0.581
387A / 382S	57.150	96.838	25.400	21.946	20.274	3.5	2.3	78.0	96.5	22.3	0.650
387A / 383A	57.150	100.000	21.000	21.946	17.826	3.5	2.0	78.0	96.5	17.4	0.660
387AS / 382	57.150	98.425	21.000	21.946	17.826	5.0	0.8	78.0	96.5	17.9	0.621
387AS / 382A	57.150	96.838	21.000	21.946	15.875	5.0	0.8	78.0	96.5	17.4	0.576
387AS / 382S	57.150	96.838	25.400	21.946	20.274	5.0	2.3	78.0	96.5	22.3	0.633
387AS / 383A	57.150	100.000	21.000	21.946	17.826	5.0	2.0	78.0	96.5	17.9	0.653
387S / 382	57.150	98.425	21.001	21.946	17.826	0.8	0.8	78.0	96.5	17.9	0.642
387S / 382A	57.150	96.838	21.000	21.946	15.875	0.8	0.8	78.0	96.5	17.4	0.585
387S / 382S	57.150	96.838	25.400	21.946	20.274	0.8	2.3	78.0	96.5	22.3	0.651
387S / 383A	57.150	100.000	21.001	21.946	17.826	0.8	2.0	78.0	96.5	17.9	0.647
388A / 382	57.531	98.425	21.000	21.946	17.826	3.5	0.8	78.0	96.5	17.9	0.620
388A / 382A	57.531	96.838	21.000	21.946	15.875	3.5	0.8	78.0	96.5	17.4	0.575
388A / 382S	57.531	96.838	25.400	21.946	20.274	3.5	2.3	78.0	96.5	22.3	0.641
388A / 383A	57.531	21.000	21.946	21.946	17.826	3.5	2.0	78.0	96.5	17.9	0.652
389A / 382	53.975	98.425	21.000	21.946	17.826	0.8	0.8	74.5	91.5	18.0	0.678
389A / 382A	53.975	96.838	21.000	21.946	15.875	0.8	0.8	74.5	91.5	17.9	0.630
389A / 382S	53.975	96.838	25.400	21.946	20.274	0.8	2.3	74.5	91.5	22.3	0.699
389A / 383A	53.975	100.000	21.000	21.946	17.826	0.8	2.0	74.5	91.5	17.9	0.710
395 SERIES											
390 / 393	57.150	110.000	27.000	21.996	27.000	2.3	0.8	89.5	120.0	29.3	1.019
390 / 394A	57.150	110.000	22.000	21.996	18.824	2.3	1.3	89.5	120.0	21.3	0.954
390 / 394AS	57.150	110.000	21.999	21.996	18.824	2.3	3.3	89.5	120.0	21.3	0.934

GMB Inch Series

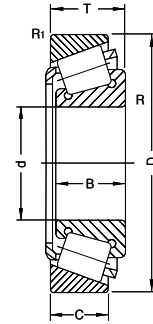


Item No.	Dimension (mm)					R	R1	Cr (KN)	Cor (KN)	a (mm)	Weight (KG)
	d	D	T	B	C						
395 / 393	63.500	110.000	27.000	21.996	27.000	3.5	0.8	89.5	120.0	21.3	0.912
395 / 394A	63.500	110.000	22.000	21.996	18.824	3.5	1.3	89.5	120.0	21.3	0.847
395 / 394AS	63.500	110.000	21.999	21.996	18.824	3.5	3.3	89.5	120.0	21.3	0.825
395A / 393	66.675	110.000	27.000	21.996	27.000	0.8	0.8	89.5	120.0	21.3	0.861
395A / 394A	66.675	110.000	22.000	21.996	18.824	0.8	1.3	89.5	120.0	21.3	0.796
395A 394AS	66.675	110.000	21.999	21.996	18.824	0.8	3.3	89.5	120.0	21.3	0.778
395CS / 394CS	66.675	113.487	23.447	23.444	18.824	3.5	1.3	89.5	120.0	21.3	0.904
395S / 393	66.675	110.000	27.000	21.996	27.000	3.5	0.8	89.5	120.0	21.3	0.861
395S / 394A	66.675	110.000	22.000	21.996	18.824	3.5	1.3	89.5	120.0	21.3	0.791
395S / 394AS	66.675	110.000	21.999	21.996	18.824	3.5	3.3	89.5	120.0	21.3	0.773
396 / 393	50.000	110.000	27.000	21.996	27.000	0.8	0.8	89.5	120.0	21.3	1.125
396 / 394A	50.000	110.000	22.000	21.996	18.824	0.8	1.3	89.5	120.0	21.3	1.060
396 / 394AS	50.000	110.000	21.999	21.996	18.824	0.8	3.3	89.5	120.0	21.3	1.045
399A / 393	68.262	110.000	27.000	21.996	27.0200	2.3	0.8	89.5	120.0	21.3	0.829
399A / 394A	68.262	110.000	22.000	21.996	18.824	2.3	1.3	89.5	120.0	21.3	0.764
399A / 394AS	68.262	110.000	21.999	21.996	18.824	2.3	3.3	89.5	120.0	21.3	0.745
399AS / 393	68.262	110.000	27.000	21.996	27.000	5.0	0.8	89.5	120.0	21.3	0.821
399AS / 394A	68.262	110.000	22.000	21.996	18.824	5.0	1.3	89.5	120.0	21.3	0.756
399AS / 394AS	68.262	110.000	21.999	21.996	18.824	5.0	3.3	89.5	120.0	21.3	0.741
415SERIES											
418 / 412	38.100	82.550	34.925	29.083	30.162	3.5	3.3	95.5	107.0	16.9	0.832
418 / 414	38.100	88.550	26.988	29.083	22.225	3.5	1.5	95.5	107.0	16.9	0.840
420 / 412	40.000	82.550	34.925	29.083	30.162	3.5	3.3	95.5	107.0	16.9	0.860
420 / 414	40.000	88.500	26.988	29.083	22.225	3.5	1.5	95.5	107.0	16.9	0.813
495 SERIES											
495 / 492A	82.550	133.350	30.162	29.769	22.275	3.5	3.3	129.0	189.0	29.8	1.525
495 / 493	82.550	136.525	30.162	29.769	22.275	3.5	3.3	129.0	189.0		1.640
495A / 492A	76.200	133.350	30.162	29.769	22.275	3.5	3.3	129.0	189.0	19.5	1.710
495A / 493	76.200	136.525	30.162	29.769	22.275	3.5	3.3	129.0	189.0	29.8	1.830
495AX / 492A	76.200	133.350	30.162	29.769	22.225	6.4	3.3	118.0	175.0	29.4	1.702
495AX / 493	76.200	136.525	30.162	29.769	22.275	6.4	3.3	129.0	189.0	29.8	1.820
496 / 492A	80.962	133.350	33.338	33.338	26.195	3.5	3.3	118.0	175.0	29.0	1.735
496 / 493	80.962	136.525	30.162	29.769	22.275	3.5	3.3	129.0	189.0	29.8	1.690

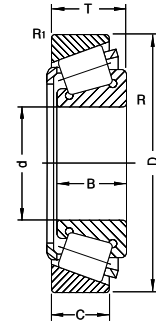


Item No.	Dimension (mm)					R	R1	Cr (KN)	Cor (KN)	a (mm)	Weight (KG)
	d	D	T	B	C						
497 / 492A	85.725	133.350	30.162	29.769	22.275	3.5	3.3	129.0	189.0	29.8	1.430
497 / 493	85.725	136.525	30.162	29.769	22.275	3.5	3.3	129.0	189.0	29.8	1.550
498 / 492A	84.138	133.350	30.162	29.769	22.225	3.6	3.2	133.0	198.0	29.8	1.480
498 / 493	84.138	136.525	30.162	29.769	22.275	3.5	3.3	129.0	189.0	29.8	1.600
595 SERIES											
593 / 592	88.900	152.400	39.688	36.322	33.338	3.5	3.3	180.0	279.0	37.1	2.830
593 / 592A	88.900	152.400	39.688	36.322	30.162	3.5	3.3	180.0	279.0	37.1	2.780
593 / 592XS	88.900	147.638	35.717	36.322	26.192	3.5	3.3	180.0	279.0	37.1	2.730
593A / 592	88.900	152.400	39.688	36.322	33.338	6.4	3.3	180.0	279.0	37.1	2.810
593A / 592A	88.900	152.400	39.688	36.322	30.162	6.4	3.3	180.0	279.0	37.1	2.760
593A / 592XS	88.900	147.638	35.717	36.322	26.192	6.4	3.3	180.0	279.0	37.1	2.700
594 / 592	95.250	152.400	39.688	36.322	33.338	3.5	3.3	180.0	279.0	37.1	2.560
594 / 592A	95.250	152.400	39.688	36.322	30.162	3.5	3.3	180.0	279.0	37.1	2.510
594 / 592XS	95.250	147.638	35.717	36.322	26.192	3.5	3.3	180.0	279.0	37.1	2.040
594A / 592	95.250	152.400	39.688	36.322	33.338	5.0	3.3	180.0	279.0	37.1	2.540
594A / 592A	95.250	152.400	39.688	36.322	30.162	3.5	3.3	180.0	279.0	37.1	2.510
594A / 592XS	95.250	147.638	35.717	36.322	26.192	5.0	0.8	180.0	279.0	33.4	2.090
595 / 592	82.550	152.400	39.688	36.322	33.338	3.5	3.3	180.0	279.0	37.1	3.080
595 / 592A	82.550	152.400	39.688	36.322	30.162	3.5	3.3	180.0	279.0	37.1	3.020
595 / 592XS	82.550	147.638	35.717	36.322	26.192	3.5	3.3	180.0	279.0	37.1	2.980
596 / 592	85.725	152.400	39.688	36.322	33.338	3.5	3.3	180.0	279.0	37.1	3.140
596 / 592A	85.725	152.400	39.688	36.322	30.162	3.5	3.3	180.0	279.0	37.1	2.900
596 / 592XS	85.725	147.638	35.717	36.322	26.192	3.5	3.3	180.0	279.0	37.1	2.850
598 / 592	92.075	152.400	39.688	36.322	33.338	3.5	3.3	180.0	279.0	37.1	2.940
598 / 592A	92.075	152.400	39.688	36.322	30.162	3.5	3.3	180.0	279.0	(mm)	2.650
598 / 592XS	92.075	147.638	35.717	36.322	26.192	3.5	3.3	180.0	279.0	37.1	2.680
598A / 592	92.075	152.400	39.688	36.322	33.338	6.4	3.3	180.0	279.0	37.1	2.750
598A / 592A	92.075	152.400	39.688	36.322	30.162	6.4	3.3	180.0	279.0	37.1	2.630
598A / 592XS	92.075	147.638	35.717	36.322	26.912	6.4	3.3	180.0	279.0	37.1	2.660
1900 SERIES											
1986 / 1922	25.400	57.150	19.845	19.355	15.875	1.3	1.5	44.8	50.2	25.6	0.240
1988 / 1922	28.575	57.150	19.845	19.355	15.875	3.5	1.5	44.8	50.2	25.6	0.170
2500 SERIES											

GMB Inch Series

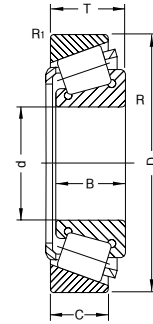


Item No.	Dimension (mm)					R	R1	Cr (KN)	Cor (KN)	a (mm)	Weight (KG)
	d	D	T	B	C						
2580 / 2523	31.750	69.850	23.812	25.357	19.050	0.8	1.3	69.0	81.5	16.0	0.454
2585 / 2523	33.338	69.850	23.812	25.357	19.050	3.5	3.3	69.0	81.5	16.0	0.435
2700 SERIES											
2776 / 2720	38.100	76.200	23.812	25.645	19.050	4.3	3.3	73.0	90.5	15.6	0.495
2776 / 2729	38.100	76.200	23.812	25.645	19.050	4.3	0.8	73.0	90.5	15.6	0.511
2776 / 2735X	38.100	73.025	23.812	25.645	19.050	4.3	0.8	73.0	90.5	16.0	0.442
2777 / 2720	38.100	76.200	23.812	25.645	19.050	5.5	3.3	73.0	90.5	15.6	0.492
2777 / 2729	38.100	76.200	23.812	25.645	19.050	5.5	0.8	73.0	90.5	15.6	0.508
2777 / 2735X	38.100	73.025	23.812	25.645	19.050	5.5	0.8	73.0	90.5	15.6	0.463
2780 / 2720	36.487	76.200	23.812	25.645	19.050	1.5	3.3	73.0	90.5	15.6	0.518
2780 / 2729	36.487	76.200	23.812	25.645	19.050	1.5	0.8	73.0	90.5	16.0	0.520
2780 / 2735X	36.487	73.025	23.812	25.645	19.050	1.5	0.8	73.0	90.5	16.0	0.422
2788 / 2720	38.100	76.200	23.812	25.645	19.050	3.5	3.3	73.0	90.5	15.6	0.497
2788 / 2729	38.100	76.200	23.812	25.645	19.050	3.5	0.8	73.0	90.5	15.6	0.496
2788 / 2735X	38.100	73.025	23.812	25.645	19.050	3.5	0.8	73.0	90.5	15.6	0.438
2789 / 2720	39.688	76.200	23.812	25.645	19.050	3.5	3.3	73.0	90.5	15.6	0.477
2789 / 2729	39.688	76.200	23.812	25.645	19.050	3.5	0.8	73.0	90.5	16.0	0.479
2789 / 2735X	39.688	73.025	23.812	25.645	19.050	3.5	0.8	68.0	81.0	15.8	0.424
2790 / 2720	33.338	76.200	23.812	25.645	19.050	1.5	3.3	73.0	90.5	15.6	0.553
2790 / 2729	33.338	76.200	23.812	25.645	19.050	1.5	0.8	73.0	90.5	15.6	0.574
2790 / 2735X	33.338	73.025	23.812	25.645	19.050	1.5	0.8	73.0	90.5	15.6	0.446
2793 / 2720	34.925	76.200	23.812	25.645	19.050	0.8	3.3	73.0	90.5	15.6	0.536
2793 / 2729	34.925	76.200	23.812	25.645	19.050	0.8	0.8	73.0	90.5		0.541
2793 / 2735X	34.925	73.025	23.812	25.654	19.050	0.8	0.8	73.0	90.5	15.6	0.485
2794 / 2720	36.487	76.200	23.812	25.654	19.050	3.5	3.3	73.0	90.5	15.6	0.516
2794 / 2729	36.487	76.200	23.812	25.654	19.050	3.5	0.8	73.0	90.5	16.0	0.517
2794 / 2735X	36.487	73.025	23.812	25.654	19.050	3.5	0.8	73.0	90.5	16.0	0.462
2796 / 2720	34.925	76.200	23.812	25.654	19.050	3.5	3.3	73.0	90.5	15.6	0.533
2796 / 2729	34.925	76.200	23.812	25.654	19.050	3.5	0.8	73.0	90.5	16.0	0.535
2796 / 2735X	34.925	73.025	23.812	25.654	19.050	3.5	0.8	73.0	90.5	16.0	0.465
2900 SERIES											
2984 / 2924	46.038	85.000	25.400	25.608	20.638	3.5	1.3	79.0	104.0	18.9	0.615
3300 SERIES											

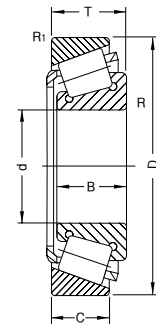


Item No.	Dimension (mm)					R	R1	Cr (KN)	Cor (KN)	a (mm)	Weight (KG)
	d	D	T	B	C						
3379 / 3320	34.925	80.167	29.370	30.391	23.812	3.5	3.3	95.0	112.0	18.7	0.732
3379 / 3325	34.925	80.000	29.370	30.391	23.812	3.5	3.3	95.0	112.0	18.7	0.762
3384 / 3320	41.275	80.167	29.370	30.391	23.812	0.8	3.3	95.0	112.0	18.7	0.644
3384 / 3325	41.275	80.000	29.370	30.391	23.812	0.8	3.3	95.0	112.0	18.7	0.623
3386 / 3320	39.688	80.167	29.370	30.391	23.812	0.8	3.3	95.0	112.0	18.7	0.668
3386 / 3325	39.688	80.000	29.370	30.391	23.812	0.8	3.3	95.0	112.0	18.7	0.648
3500 SERIES											
3578 / 3520	44.450	84.138	30.162	30.886	23.812	3.5	3.3	94.0	117.0	20.4	0.699
3578 / 3525	44.450	87.312	30.162	30.886	23.812	3.5	3.3	94.0	117.0	20.4	0.779
3578A / 3520	44.450	84.138	30.162	30.886	23.812	5.5	3.3	94.0	117.0	20.4	0.679
3578A / 3525	44.450	87.312	30.162	30.886	23.812	5.5	3.3	94.0	117.0	20.4	0.759
3580 / 3520	38.100	84.138	30.162	30.886	23.812	1.5	3.3	94.0	117.0	20.2	0.799
3580 / 3525	38.100	87.312	30.162	30.886	23.812	1.5	3.3	94.0	117.0	20.4	0.881
3585 / 3520	41.275	84.138	30.162	30.886	23.812	1.5	3.3	94.0	117.0	20.2	0.751
3585 / 3525	41.275	87.312	30.162	30.886	23.812	1.5	3.3	94.0	117.0	20.2	0.831
3586 / 3520	45.237	84.138	30.162	30.886	23.812	3.5	3.3	94.0	117.0	20.2	0.683
3586 / 3525	45.237	87.312	30.162	30.886	23.812	3.5	3.3	94.0	117.0	20.4	0.765
3700 SERIES											
3767 / 3720	52.388	93.264	30.162	30.302	23.812	2.3	3.3	102.0	134.0	22.1	0.819
3767 / 3730	52.388	93.264	30.162	30.302	23.812	2.3	0.8	102.0	134.0	21.9	0.820
3775 / 3720	50.800	93.264	30.162	30.302	23.812	0.8	3.3	102.0	134.0		0.852
3775 / 3730	50.800	93.264	30.162	30.302	23.812	0.8	0.8	102.0	134.0	22.1	0.872
3776 / 3720	44.983	93.264	30.162	30.162	23.812	3.5	3.3	102.0	134.0	22.1	0.952
3776 / 3730	44.983	93.264	30.163	30.302	23.812	3.5	3.3	102.0	134.0	22.1	0.952
3778 / 3720	47.625	93.264	30.162	30.302	23.812	6.4	3.3	102.0	134.0	22.1	0.898
3778 / 3730	47.625	93.264	30.162	30.302	23.812	6.4	0.8	102.0	134.0	22.1	0.918
3779 / 3720	47.625	93.264	30.162	30.302	23.812	3.5	3.3	102.0	134.0	22.1	0.906
3779 / 3730	47.625	93.264	30.163	30.302	23.812	3.5	0.8	102.0	134.0	22.1	0.916
3780 / 3720	50.800	93.264	30.162	30.302	23.812	3.5	3.3	102.0	134.0	22.1	0.848
3780 / 3730	50.800	93.264	30.162	30.302	23.812	3.5	0.8	102.0	134.0	22.1	0.854
3781 / 3720	49.212	93.264	30.162	30.302	23.812	3.5	3.3	102.0	134.0	22.1	0.877
3781 / 3730	49.212	93.264	30.162	30.302	23.812	3.5	0.8	102.0	134.0	22.1	0.899
3782 / 3720	44.450	93.264	30.162	30.302	23.812	3.5	3.3	102.0	134.0	21.8	0.961

GMB Inch Series

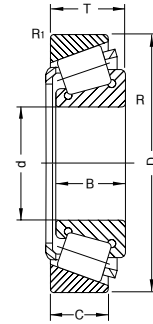


Item No.	Dimension (mm)					R	R1	Cr (KN)	Cor (KN)	a (mm)	Weight (KG)
	d	D	T	B	C						
3782 / 3730	44.450	93.264	30.162	30.302	23.812	3.5	0.8	102.0	134.0	22.1	0.962
3783 / 3720	44.450	93.264	30.162	30.302	23.812	6.4	3.3	102.0	134.0	21.9	0.932
3783 / 3730	44.450	93.264	30.163	30.302	23.812	6.4	0.8	102.0	134.0	21.9	0.932
3784 / 3720	50.800	93.264	30.162	30.302	23.812	6.4	3.3	102.0	134.0	22.1	0.839
3784 / 3730	50.800	93.264	30.162	30.302	23.812	6.4	0.8	102.0	134.0	22.1	0.859
3795 / 3720	50.800	93.264	30.162	30.302	23.812	3.5	3.3	102.0	134.0	22.1	0.851
3795 / 3730	50.800	93.264	30.163	30.302	23.812	3.5	0.8	102.0	134.0	22.1	0.873
3900 SERIES											
3979 / 3920	57.150	112.712	30.162	30.048	23.812	3.5	3.3	119.0	174.0	25.6	1.400
3979 / 3925	57.150	112.712	36.513	36.398	24.605	3.5	3.3	119.0	174.0	25.6	1.530
3982 / 3920	63.500	112.712	30.162	30.048	23.812	3.5	3.3	119.0	174.0	25.7	1.260
3982 / 3925	63.500	112.712	30.162	30.048	23.812	3.5	0.8	118.0	172.0	25.7	1.250
3984 / 3920	66.675	112.712	30.162	30.048	23.812	3.5	3.3	119.0	174.0	25.9	1.180
3984 / 3925	66.675	112.712	30.162	30.048	23.812	3.5	0.8	119.0	174.0	25.9	1.190
02400 SERIES											
02474 / 02420	28.575	68.262	22.225	22.225	17.462	0.8	1.5	57.0	67.0	17.1	0.409
02475 / 02420	31.750	68.262	22.225	22.225	17.462	3.5	1.5	57.0	67.0	17.1	0.380
02800 SERIES											
02872 / 02820	28.575	73.025	22.225	22.225	17.462	0.8	3.3	56.5	68.0		0.480
3775 / 3730	50.800	93.264	30.162	30.302	23.812	0.8	0.8	102.0	134.0	22.1	0.872
3776 / 3720	44.983	93.264	30.162	30.162	23.812	3.5	3.3	102.0	134.0	22.1	0.952
3776 / 3730	44.983	93.264	30.163	30.302	23.812	3.5	3.3	102.0	134.0	22.1	0.952
3778 / 3720	47.625	93.264	30.162	30.302	23.812	6.4	3.3	102.0	134.0	22.1	0.898
3778 / 3730	47.625	93.264	30.162	30.302	23.812	6.4	0.8	102.0	134.0	22.1	0.918
3779 / 3720	47.625	93.264	30.162	30.302	23.812	3.5	3.3	102.0	134.0	22.1	0.906
3779 / 3730	47.625	93.264	30.163	30.302	23.812	3.5	0.8	102.0	134.0	22.1	0.916
3780 / 3720	50.800	93.264	30.162	30.302	23.812	3.5	3.3	102.0	134.0	22.1	0.848
3780 / 3730	50.800	93.264	30.162	30.302	23.812	3.5	0.8	102.0	134.0	22.1	0.854
3781 / 3720	49.212	93.264	30.162	30.302	23.812	3.5	3.3	102.0	134.0	22.1	0.877
3781 / 3730	49.212	93.264	30.162	30.302	23.812	3.5	0.8	102.0	134.0	21.8	0.899
3782 / 3720	44.450	93.264	30.162	30.302	23.812	3.5	3.3	102.0	134.0	22.1	0.961
3782 / 3730	44.450	93.264	30.162	30.302	23.812	3.5	0.8	102.0	134.0	21.9	0.962
3783 / 3720	44.450	93.264	30.162	30.302	23.812	6.4	3.3	102.0	134.0	21.9	0.932

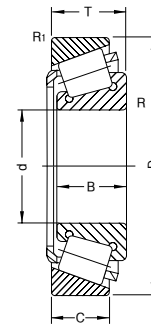


Item No.	Dimension (mm)					R	R1	Cr (KN)	Cor (KN)	a (mm)	Weight (KG)
	d	D	T	B	C						
3783 / 3730	44.450	93.264	30.163	30.302	23.812	6.4	0.8	102.0	134.0	22.1	0.923
3784 / 3720	50.800	93.264	30.162	30.302	23.812	6.4	3.3	102.0	134.0	22.1	0.839
3784 / 3730	50.800	93.264	30.162	30.302	23.812	6.4	0.8	102.0	134.0	22.1	0.859
3795 / 3720	50.800	93.264	30.162	30.302	23.812	3.5	3.3	102.0	134.0	22.1	0.851
3795 / 3730	50.800	93.264	30.163	30.302	23.812	3.5	0.8	102.0	134.0	22.1	0.873
3900 SERIES											
3979 / 3920	57.150	112.712	30.162	30.048	23.812	3.5	3.3	119.0	174.0	25.6	1.400
3979 / 3925	57.150	112.712	36.513	36.398	24.605	3.5	3.3	119.0	174.0	25.6	1.530
3982 / 3920	63.500	112.712	30.162	30.048	23.812	3.5	3.3	119.0	174.0	25.7	1.260
3982 / 3925	63.500	112.712	30.162	30.048	23.812	3.5	0.8	118.0	172.0	25.7	1.250
3984 / 3920	66.675	112.712	30.162	30.048	23.812	3.5	3.3	119.0	174.0	25.9	1.180
3984 / 3925	66.675	112.712	30.162	30.048	23.812	3.5	0.8	119.0	174.0	25.9	1.190
02400 SERIES											
02474 / 02420	28.575	68.262	22.225	22.225	17.462	0.8	1.5	57.0	67.0	17.1	0.409
02475 / 02420	31.750	68.262	22.225	22.225	17.462	3.5	1.5	57.0	67.0	17.1	0.380
02800 SERIES											
02872 / 02820	28.575	73.025	22.225	22.225	17.462	0.8	3.3	56.5	68.0		0.480
LM11700 SERIES											
LM11749 / LM11710	17.462	39.878	13.843	14.605	10.688	1.3	1.3	23.8	24.2	8.8	0.084
LM11900 SERIES											
LM11949 / LM11910	19.050	45.237	15.494	16.637	12.065	1.3	1.3	28.3	28.6	9.9	0.122
M12600 SERIES											
M12649 / M12610	21.430	50.005	17.526	18.288	13.970	1.3	1.3	38.0	39.0	11.1	0.169
LM12700 SERIES											
LM12749 / LM12710	22.000	45.237	15.494	16.637	12.065	1.3	1.3	29.6	34.0	10.0	0.115
LM12749 / LM12711	21.986	45.974	15.494	16.637	12.065	1.3	1.3	29.6	34.0	10.0	0.123
14000 SERIES											
14116 / 14274	30.226	69.012	19.845	19.583	15.875	0.8	3.3	48.5	58.0	15.5	0.366
14116 / 14276	30.226	69.012	19.845	19.583	15.875	0.8	1.3	48.5	58.0	15.5	0.370
14116 / 14282	30.226	71.996	19.002	19.583	15.032	0.8	1.5	48.5	58.0	15.5	0.345
14116 / 14283	30.226	72.085	22.385	19.583	18.415	0.8	2.3	48.5	58.0	18.3	0.447
14117A / 14274	30.000	69.012	19.845	19.583	15.875	3.5	3.3	48.5	58.0	15.7	0.358
14117A / 14276	30.000	69.012	19.845	19.583	15.875	3.5	1.3	48.5	58.0	15.5	0.369

GMB Inch Series

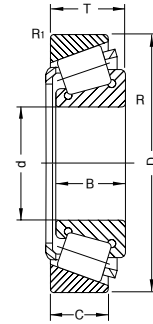


Item No.	Dimension (mm)					R	R1	Cr (KN)	Cor (KN)	a (mm)	Weight (KG)
	d	D	T	B	C						
14117A / 14282	30.000	71.996	19.002	19.583	15.032	3.5	1.5	48.5	58.0	15.5	0.343
14117A / 14283	30.000	72.085	22.385	19.583	18.415	3.5	2.3	48.5	58.0	18.3	0.439
14118 / 14274	30.000	69.012	19.845	19.202	15.875	0.8	3.3	48.5	58.0	18.3	0.362
14118 / 14276	30.000	69.012	19.845	19.202	15.875	0.8	1.3	48.5	58.0	18.3	0.370
14118 / 14282	30.000	71.996	19.002	19.202	15.032	0.8	1.5	48.5	58.0	18.3	0.352
14118 / 14283	30.000	72.085	22.385	19.202	18.415	0.8	2.3	48.5	58.0	18.3	0.446
14124 / 14274	31.750	69.012	19.845	19.583	15.875	0.8	3.3	48.5	58.0	18.3	0.346
14124 / 14276	31.750	69.012	19.845	19.583	15.875	0.8	1.3	48.5	58.0	15.5	0.359
14124 / 14282	31.750	71.996	19.002	19.583	15.032	0.8	1.5	48.5	58.0	15.5	0.459
14124 / 14283	31.750	72.085	22.385	19.583	18.415	0.8	2.3	48.5	58.0	18.1	0.432
14125A / 14274	31.750	69.012	19.845	19.583	15.875	3.5	3.3	44.5	58.0	15.5	0.348
14125A / 14276	31.750	69.012	19.845	19.583	15.875	3.5	1.3	48.5	58.0	15.5	0.356
14125A / 14282	31.750	71.996	19.002	19.583	15.032	3.5	1.5	48.5	58.0	15.5	0.447
14125A / 14283	31.750	72.085	22.385	19.583	18.415	3.5	2.3	48.5	58.0	15.7	0.412
14131 / 14274	33.338	69.012	19.845	19.583	15.875	0.8	3.3	48.5	58.0		0.338
14131 / 14276	33.338	69.012	19.845	19.583	15.875	0.8	1.3	48.5	58.0	15.5	0.346
14131 / 14282	33.338	71.996	19.002	19.583	15.032	0.8	1.5	48.5	58.0	15.5	0.435
14131 / 14283	33.338	72.085	22.385	19.583	18.415	0.8	2.3	48.5	58.0	18.3	0.419
14136A / 14274	34.925	69.012	26.982	26.721	15.875	0.8	3.3	48.5	58.0	18.3	0.395
14136A / 14276	34.925	69.012	26.982	26.721	15.875	0.8	1.3	48.5	58.0	18.3	0.387
14136A / 14282	34.925	71.996	26.139	26.721	15.032	0.8	1.5	48.5	58.0	18.3	0.396
14136A / 14283	34.925	72.085	29.522	19.583	18.415	0.8	2.3	48.5	58.0	18.3	0.432
14137A / 14274	34.925	69.012	19.845	19.583	15.875	1.5	3.3	48.5	58.0	15.5	0.383
14137A / 14276	34.925	69.012	19.845	19.583	15.875	1.5	1.3	48.5	58.0	15.5	0.333
14137A / 14282	34.925	71.996	19.002	19.583	15.032	1.5	1.5	48.5	58.0	15.5	0.423
14137A / 14283	34.925	72.085	22.385	19.583	18.415	1.5	2.3	48.5	58.0	15.5	0.513
14138A / 14274	34.925	69.012	19.845	19.583	15.875	3.5	3.3	48.5	58.0	11.7	0.317
14138A / 14276	34.925	69.012	19.845	19.583	15.875	3.5	1.3	48.5	58.0	15.5	0.331
14138A / 14282	34.925	71.996	19.002	19.583	15.032	3.5	1.5	48.5	58.0	15.5	0.416
14138A / 14283	34.925	72.085	22.385	19.583	18.415	3.5	2.3	48.5	58.0	15.5	0.513
15000 SERIES											
15100 / 15243	25.400	61.912	18.161	19.050	14.288	1.3	2.0	46.5	54.0	13.4	0.258
15100 / 15244	25.400	62.000	20.638	20.638	15.875	3.5	1.3	46.5	54.0	13.4	0.297

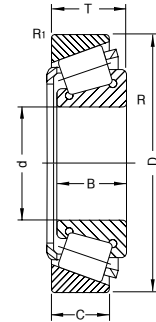


Item No.	Dimension (mm)					R	R1	Cr (KN)	Cor (KN)	a (mm)	Weight (KG)
	d	D	T	B	C						
15100 / 15245	25.400	62.000	19.050	20.638	14.288	3.5	1.3	46.5	54.0	13.4	0.299
15100 / 15250	25.400	63.500	20.638	20.638	15.875	3.5	1.3	46.5	54.0	14.6	0.328
15100 / 15250X	25.400	63.500	20.638	20.638	15.875	3.5	1.5	46.5	54.0	15.0	0.326
15101 / 15243	25.400	61.912	19.050	20.638	14.288	0.8	2.0	46.5	54.0	13.4	0.300
15101 / 15244	25.400	62.000	20.638	20.638	15.875	0.8	1.3	46.5	54.0	15.0	0.315
15101 / 15245	25.400	62.000	19.050	20.638	14.288	0.8	1.3	46.5	54.0	13.4	0.301
15101 / 15250	25.400	63.500	20.638	20.638	15.875	0.8	1.3	46.5	54.0	15.0	0.333
15101 / 15250X	25.400	63.500	20.638	20.638	15.875	0.8	1.3	46.5	54.0	15.0	0.333
15103S / 15243	26.162	61.912	19.050	19.939	14.288	0.8	2.0	46.5	54.0	15.0	0.350
15103S / 15244	26.162	62.000	20.638	19.939	15.875	0.8	1.3	46.5	54.0	15.0	0.403
15103S / 15245	26.162	62.000	19.050	19.939	14.288	0.8	1.3	46.5	54.0	15.0	0.352
15103S / 15250	26.162	63.500	20.638	19.939	15.875	0.8	1.3	46.5	54.0	15.0	0.412
15103S / 15250X	26.162	63.500	20.638	19.939	15.875	0.8	1.5	46.5	54.0		0.410
15106 / 15243	26.988	61.912	19.050	20.638	14.288	0.8	2.0	46.5	54.0	15.0	0.282
15106 / 15244	26.988	62.000	20.638	20.638	15.875	0.8	1.3	46.5	54.0	15.0	0.286
15106 / 15245	26.988	62.000	19.050	20.638	14.288	0.8	1.3	46.5	54.0	13.4	0.291
15106 / 15250	26.988	63.500	20.638	20.638	15.875	0.8	1.3	46.5	54.0	14.6	0.320
15106 / 15250X	26.988	63.500	20.638	20.638	15.875	0.8	1.5	46.5	54.0	14.6	0.319
15112 / 15250	28.575	63.500	20.638	20.638	15.875	3.5	1.3	46.5	54.0	14.6	0.288
15113 / 15243	28.575	61.912	19.050	20.638	14.288	0.8	2.0	46.5	54.0	14.6	0.280
15113 / 15244	28.575	62.000	20.638	20.638	15.875	0.8	1.3	46.5	54.0	14.6	0.340
15113 / 15245	28.575	62.000	19.050	20.638	14.288	0.8	1.3	46.5	54.0	13.4	0.280
15113 / 15250	28.575	63.500	20.638	20.638	15.875	0.8	1.3	46.5	54.0	14.6	0.308
15113 / 15250X	28.575	63.500	20.638	20.638	15.875	0.8	1.5	46.5	54.0	14.6	0.307
15116 / 15243	30.112	61.912	19.050	20.638	14.288	0.8	2.0	46.5	54.0	14.6	0.268
15116 / 15244	30.112	62.000	20.638	20.638	15.875	0.8	1.3	46.5	54.0	14.6	0.328
15116 / 15245	30.112	62.000	19.050	20.638	14.288	0.8	1.3	46.5	54.0	13.4	0.268
15116 / 15250	30.112	63.500	20.638	20.638	15.875	0.8	1.3	46.5	54.0	13.4	0.358
15116 / 15250X	30.112	63.500	20.638	20.638	15.875	0.8	1.5	46.5	54.0	13.4	0.351
15117 / 15243	29.987	61.912	19.050	20.638	14.288	1.3	2.0	46.5	54.0	13.4	0.291
15117 / 15244	29.987	62.000	20.638	20.638	15.875	1.3	1.3	46.5	54.0	13.4	0.322
15117 / 15245	29.987	62.000	19.050	20.638	14.288	1.3	1.3	46.5	54.0	13.4	0.269
15117 / 15250	30.000	63.500	20.638	20.638	15.875	1.3	1.3	46.5	54.0	15.0	0.350

GMB Inch Series

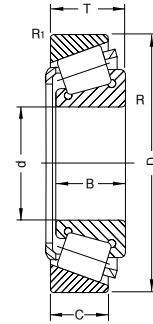


Item No.	Dimension (mm)					R	R1	Cr (KN)	Cor (KN)	a (mm)	Weight (KG)
	d	D	T	B	C						
15117 / 15250X	30.000	63.500	20.638	20.638	15.875	1.3	1.5	45.0	54.5	14.8	0.349
15118 / 15243	30.213	61.912	19.050	20.638	14.288	3.5	2.0	45.0	54.5	14.8	0.349
15118 / 15244	30.213	62.000	20.638	20.638	15.875	3.5	1.3	45.0	54.5	14.8	0.376
15118 / 15245	30.213	62.000	19.050	20.638	14.288	3.5	1.3	46.5	54.0	13.4	0.625
15118 / 15250	30.213	63.500	20.638	20.638	15.875	3.5	1.3	45.0	54.5	13.2	0.315
15118 / 15250X	30.213	63.500	20.638	20.638	15.875	3.5	1.5	45.0	54.5	13.2	0.314
15119 / 15243	30.213	61.912	19.050	20.638	14.288	1.5	2.0	45.0	54.5	13.2	0.267
15119 / 15244	30.213	62.000	20.638	20.638	15.875	1.5	1.3	45.0	54.5	13.2	0.317
15119 / 15245	30.213	62.000	19.050	20.638	14.288	1.5	1.3	46.5	54.0	13.4	0.267
15119 / 15250	30.213	63.500	20.638	20.638	15.875	1.5	1.3	46.5	54.0	13.4	0.327
15119 / 15250X	30.213	63.500	20.638	20.638	15.875	1.5	1.5	46.5	54.0		0.325
15120 / 15243	30.213	61.912	19.050	20.638	14.288	0.8	2.0	46.5	54.0	13.4	0.267
15120 / 15244	30.213	62.000	20.638	20.638	15.875	0.8	1.3	46.5	54.0	13.4	0.324
15120 / 15245	30.213	62.000	19.050	20.638	14.288	0.8	1.3	46.5	54.0	13.4	0.267
15120 / 15250	30.213	63.500	20.688	20.688	15.875	0.8	1.3	46.5	54.0	13.4	0.294
15120 / 15250X	30.213	63.500	20.638	20.638	15.875	0.8	1.5	45.0	54.5	13.2	0.294
15123 / 15243	31.750	61.912	18.161	19.050	14.288	*	2.0	46.5	54.0	13.4	0.244
15123 / 15244	31.750	62.000	19.749	19.050	15.875	*	1.3	46.5	54.0	13.4	0.274
15123 / 15245	31.750	62.000	18.161	19.050	14.288	5.6	1.3	46.5	54.0	13.4	0.244
15123 / 15250	31.750	63.500	20.638	19.050	15.875	*	1.3	45.0	54.5	13.2	0.274
15123 / 15250X	31.750	63.500	20.638	19.050	15.875	*	1.5	45.0	54.5	13.2	0.273
15125 / 15243	31.750	61.912	18.161	19.050	14.288	*	2.0	45.0	54.5	13.2	0.243
12125 / 15244	31.750	62.000	20.638	20.638	15.875	3.5	1.3	45.0	54.5	13.2	0.263
15125 / 15245	31.750	62.000	19.050	20.638	14.288	3.5	1.3	46.5	54.0	13.4	0.253
15125 / 15250	31.750	63.500	20.638	20.638	15.875	3.5	1.3	45.0	54.5	13.3	0.293
15125 / 15250X	31.750	63.500	20.638	20.638	15.875	3.5	1.5	45.0	54.5	13.3	0.291
15126 / 15243	31.750	61.912	19.050	20.638	14.288	0.8	2.0	45.0	54.5	13.3	0.255
15126 / 15244	31.750	62.000	20.638	20.638	15.875	0.8	1.3	45.0	54.5	13.3	0.315
15126 / 15245	31.750	62.000	19.050	20.638	14.288	0.8	1.3	46.5	54.0	13.4	0.255
15126 / 15250	31.750	63.500	20.638	20.638	15.875	0.8	1.3	46.5	54.0	15.0	0.315
15126 / 15250X	31.750	63.500	20.638	20.638	15.875	0.8	1.5	45.0	54.5	13.3	0.312
15500 SERIES											
15578 / 15520	25.400	57.150	17.463	17.462	13.495	1.3	1.5	39.5	45.5	12.7	0.216

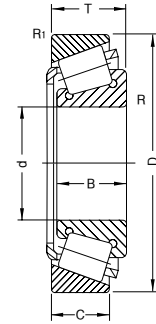


Item No.	Dimension (mm)					R	R1	Cr (KN)	Cor (KN)	a (mm)	Weight (KG)
	d	D	T	B	C						
15580 / 15520	26.988	57.150	17.463	17.462	13.495	3.5	1.5	39.5	45.5	12.7	0.206
15590 / 15520	28.575	57.150	17.462	17.462	13.495	3.5	1.5	39.5	45.5	12.7	0.196
16000 SERIES											
16150 / 169282	38.100	72.000	19.000	20.638	14.237	3.5	1.5	48.0	58.5	15.0	0.331
16150 / 16284	38.100	72.238	20.638	20.638	15.875	3.5	1.3	48.0	58.5	16.6	0.355
18500 SERIES											
18590 / 18520	41.275	73.025	16.667	17.462	12.700	3.5	1.5	46.0	55.5	14.5	0.281
18600 SERIES											
18685 / 18620	44.450	79.375	17.462	17.462	13.495	2.8	1.5	45.5	56.0		0.345
18690 / 18620	46.038	79.375	17.462	17.462	13.495	2.8	1.5	45.5	56.0	16.0	0.329
18700 SERIES											
18780 / 18720	46.038	85.000	17.462	17.462	13.495	2.3	1.5	49.5	65.0	16.7	0.420
18790 / 18720	50.800	85.000	17.462	17.462	13.495	3.5	1.5	49.5	65.0	17.3	0.374
22700 SERIES											
22780 / 22720	42.862	82.550	26.195	26.988	20.638	3.5	3.3	75.5	97.0	19.8	0.617
23000 SERIES											
23100 / 23250X	25.400	63.500	21.692	21.463	14.681	1.5	2.3	47.0	50.5	20.0	0.320
23100 / 23256	25.400	65.088	22.225	21.463	15.875	1.5	1.5	47.0	50.5	20.0	0.360
24700 SERIES											
24780 / 24720	41.275	76.200	22.225	23.020	17.462	3.5	0.8	65.0	80.5	17.4	0.432
24780 / 24721	41.275	76.200	25.400	23.020	20.638	3.5	2.3	65.0	80.5	20.2	0.482
24780 / 24722	41.275	76.200	22.225	23.020	17.462	3.5	3.3	65.0	80.5	20.2	0.412
25500 SERIES											
25577 / 25519	42.875	82.550	23.813	25.400	19.050	3.5	2.0	76.0	98.0	17.5	0.573
25577 / 25520	42.875	82.931	23.812	25.400	19.050	3.5	0.8	76.0	98.0	17.5	0.581
25577 / 25521	42.875	82.058	23.812	25.400	19.050	3.5	3.3	76.0	98.0	17.5	0.574
25577 / 25522	42.875	83.058	23.876	25.400	19.114	3.5	2.0	83.8	111.0	30.3	0.580
25577 / 25523	42.875	82.931	26.988	25.400	22.225	3.5	2.3	76.0	98.0	20.8	0.621
25577 / 25526	42.875	85.000	23.813	25.400	19.050	3.5	2.3	76.0	98.0	20.8	0.613
25578 / 25519	42.862	82.550	23.812	25.400	19.050	2.3	2.0	76.0	98.0	20.8	0.578
25578 / 25520	42.862	82.931	23.812	25.400	19.050	2.3	0.8	76.0	98.0	17.6	0.584
25578 / 25521	42.862	83.058	23.812	25.400	19.050	2.3	3.3	76.0	98.0	17.6	0.580
25578 / 25522	42.862	83.058	23.876	25.400	19.114	2.3	2.0	76.0	98.0	17.6	0.565

GMB Inch Series

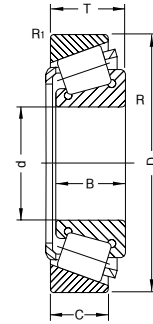


Item No.	Dimension (mm)					R	R1	Cr (KN)	Cor (KN)	a (mm)	Weight (KG)
	d	D	T	B	C						
25578 / 25523	42.862	82.931	26.988	25.400	22.225	2.3	2.3	76.0	98.0	20.8	0.663
25578 / 25526	42.862	85.000	23.813	25.400	19.050	2.3	2.3	76.0	98.0	20.8	0.619
25580 / 25519	44.450	82.550	23.812	25.400	19.050	3.5	2.0	76.0	98.0	20.8	0.556
25580 / 25520	44.450	82.931	23.812	25.400	19.050	3.5	0.8	76.0	98.0	17.6	0.560
25580 / 25521	44.450	83.058	23.812	25.400	19.050	3.5	3.3	76.0	98.0	17.6	0.553
25580 / 25522	44.450	83.058	23.876	25.400	19.114	3.5	2.0	76.0	98.0	17.6	0.556
25580 / 25523	44.450	82.931	26.988	25.400	22.225	3.5	2.3	78.5	98.0		0.695
25580 / 25526	44.450	85.000	23.813	25.400	19.050	3.5	2.3	78.5	98.0	17.6	0.519
25583 / 25519	44.450	82.550	34.290	35.878	19.050	*	2.0	78.5	98.0	17.6	0.653
25583 / 25520	44.450	82.931	34.290	35.878	19.050	*	0.8	78.5	98.0	17.6	0.646
25583 / 25521	44.450	83.058	34.290	35.878	19.050	*	3.3	78.5	98.0	17.6	0.643
25583 / 25522	44.450	83.058	34.354	35.878	19.114	*	2.0	78.5	98.0	17.6	0.648
25583 / 25523	44.450	82.931	37.465	35.878	22.225	*	2.3	78.5	98.0	17.6	0.795
25583 / 25526	44.450	85.000	34.290	35.878	19.050	*	2.3	78.5	98.0	17.6	0.598
25584 / 25519	44.983	82.550	23.813	25.400	19.050	1.5	2.0	78.5	98.0	17.6	0.605
25584 / 25520	44.983	82.931	23.812	25.400	19.050	1.5	0.8	76.0	98.0	17.6	0.555
25584 / 25521	44.983	83.058	23.812	25.400	19.050	1.5	3.3	76.0	98.0	17.6	0.552
25584 / 25522	44.983	83.058	23.876	25.400	19.114	1.5	2.0	76.0	98.0	17.6	0.554
25584 / 25523	44.983	82.931	26.988	25.400	22.225	1.5	2.3	76.0	98.0	20.8	0.599
25584 / 25526	44.983	85.000	23.813	25.400	19.050	1.5	2.3	76.0	98.0	20.8	0.486
25590 / 25519	45.618	82.550	23.812	25.400	19.050	3.5	2.0	76.0	98.0	17.6	0.534
25590 / 25520	45.618	82.931	23.812	25.400	19.050	3.5	2.0	76.0	98.0	17.5	0.543
25590 / 25521	45.618	83.058	23.812	25.400	19.050	3.5	3.3	76.0	98.0	17.5	0.541
25590 / 25522	45.618	83.058	23.876	25.400	19.114	3.5	2.0	76.0	98.0	17.5	0.545
25590 / 25523	45.618	82.931	26.988	25.400	22.225	3.5	2.3	76.0	98.0	17.5	0.588
25590 / 25526	45.618	85.000	23.812	25.400	19.050	3.5	2.3	76.0	98.0	17.5	0.581
25800 SERIES											
25877 / 25820	34.925	73.025	23.812	24.608	19.050	1.5	2.3	71.0	85.0	15.6	0.471
25877 / 25821	34.925	73.025	23.812	24.608	19.050	1.5	0.8	71.0	85.0	15.6	0.474
25878 / 25820	34.925	73.025	23.812	24.608	19.050	3.5	2.3	71.0	85.0	15.6	0.456
25878 / 25821	34.925	73.025	23.812	24.608	19.050	3.5	0.8	71.0	85.0	15.6	0.471
25880 / 25820	38.100	80.035	24.608	23.698	18.512	0.8	1.5	71.0	85.0	15.6	0.467
25880 / 25821	36.487	73.025	23.812	24.608	19.050	1.5	0.8	71.0	85.0	15.6	0.457

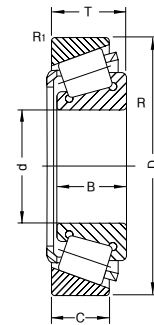


Item No.	Dimension (mm)					R	R1	Cr (KN)	Cor (KN)	a (mm)	Weight (KG)
	d	D	T	B	C						
27600 SERIES											
27687 / 27620	82.550	125.412	25.400	25.400	19.845	3.5	1.5	102.0	163.0	24.7	1.070
27800 SERIES											
27880 / 27820	38.100	80.035	24.608	23.698	18.512	0.8	1.5	67.0	82.5	21.8	0.562
27880 / 27820D	38.100	80.035	57.150	23.698	44.958	0.8	0.8	67.0	82.5		0.763
281000 SERIES											
28158 / 28300	40.000	76.200	20.638	20.940	15.507	1.5	1.3	55.5	63.0	16.1	0.386
28500 SERIES											
28580 / 28520	50.800	89.980	24.750	25.400	19.987	3.5	2.3	83.5	116.0	19.9	0.651
28580 / 28521	50.800	92.075	24.608	25.400	19.845	3.5	0.8	83.5	116.0	19.9	0.703
28584 / 28520	52.388	89.980	24.750	25.400	19.987	3.5	2.3	83.5	116.0	19.9	0.625
28584 / 28521	52.388	92.075	24.608	25.400	19.845	3.5	0.8	83.5	116.0	19.9	0.677
28600 SERIES											
28678 / 28621	50.800	96.838	24.608	24.608	19.446	3.5	0.8	88.5	128.0	21.2	0.834
28678 / 28622	50.800	97.630	24.608	24.608	19.446	3.5	0.8	88.5	128.0	21.2	0.852
28680 / 28622	55.562	97.630	24.608	24.608	19.446	3.5	0.8	88.5	128.0	21.2	0.774
28682 / 28621	57.150	96.838	24.608	24.608	19.446	3.5	0.8	88.5	128.0	21.2	0.725
28682 / 28622	57.150	97.630	24.608	24.608	19.446	3.5	0.8	88.5	128.0	21.2	0.747
28900 SERIES											
28980 / 28920	59.977	101.600	25.400	25.400	19.845	3.5	3.3	90.5	134.0	22.8	0.818
28980 / 28921	59.977	100.000	25.400	25.400	19.845	3.5	3.3	90.5	134.0	22.8	0.779
28985 / 28920	60.325	101.600	25.400	25.400	19.845	3.5	3.3	90.5	134.0	22.8	0.811
28985 / 28921	60.325	100.000	25.400	25.400	19.845	3.5	3.3	90.5	134.0	22.8	0.772
29500 SERIES											
29585 / 29520	63.500	107.950	25.400	25.400	19.050	3.5	3.3	91.5	140.0	24.6	0.924
29590 / 29522	66.675	107.950	25.400	25.400	19.050	3.5	0.8	91.5	140.0	24.6	0.869
29600 SERIES											
29675 / 29620	69.850	112.712	25.400	25.400	19.050	1.5	3.3	95.5	151.0	26.2	0.949
29675 / 29630	69.850	120.650	25.400	25.400	19.050	1.5	3.3	95.5	151.0	26.2	1.170
29685 / 29620	73.025	112.712	25.400	25.400	19.050	3.5	3.3	95.5	151.0	26.2	0.873
29685 / 29630	73.025	120.650	25.400	25.400	19.050	3.5	3.3	95.5	151.0	26.2	1.094
31500 SERIES											
31593 / 31520	34.925	76.200	29.370	28.575	23.812	3.5	3.3	80.5	97.0	21.5	0.625

GMB Inch Series

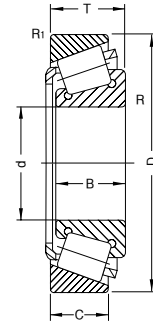


Item No.	Dimension (mm)					R	R1	Cr (KN)	Cor (KN)	a (mm)	Weight (KG)
	d	D	T	B	C						
31594 / 31520	34.925	76.200	29.370	28.575	23.812	1.5	3.3	80.5	97.0	21.5	0.627
31597 / 31520	36.512	76.200	29.370	28.575	23.812	3.5	3.3	80.5	97.0	21.5	0.605
33000 SERIES											
33225 / 33462	57.150	117.475	30.162	30.162	23.812	3.5	3.3	117.0	175.0	27.8	1.580
33225 / 33472	57.150	120.000	29.794	30.162	23.444	3.5	0.8	117.0	175.0	27.8	1.669
33262 / 33462	66.675	117.475	30.163	30.162	23.812	3.5	3.3	117.0	175.0	27.8	1.360
33262 / 33472	66.675	120.000	29.794	30.162	23.444	3.5	0.8	117.0	175.0	27.8	1.450
33275 / 33462	69.850	117.475	30.162	30.162	23.812	3.5	3.3	117.0	175.0	27.8	1.280
33275 / 33472	69.850	120.000	29.794	30.162	23.444	3.5	0.8	117.0	175.0	27.8	1.370
33281 / 33462	71.438	117.475	30.162	30.162	23.812	3.5	3.3	117.0	175.0	27.8	1.240
33281 / 33472	71.438	120.000	29.794	30.162	23.444	3.5	0.8	117.0	175.0	27.8	1.329
33287 / 33462	73.025	117.475	30.162	30.162	23.812	3.5	3.3	117.0	175.0	27.8	1.190
33287 / 33472	73.025	120.000	29.794	30.162	23.444	3.5	0.8	117.0	175.0	27.8	1.280
39500 SERIES											
39581 / 39520	57.150	112.712	30.162	30.162	23.812	8.0	3.3	138.0	195.0	23.3	1.400
39585 / 39520	63.500	112.712	30.162	30.162	23.812	3.5	3.3	138.0	195.0	23.3	1.270
39590 / 39520	66.675	112.712	30.162	30.162	23.812	3.5	3.3	138.0	195.0	23.3	1.190
41000 SERIES											
41125 / 41286	28.575	72.626	24.608	24.257	17.462	4.8	1.5	58.0	55.5	20.7	0.477
42000 SERIES											
42346 / 42584	87.960	148.430	28.575	28.971	21.433	3.0	3.0	138.0	215.0	31.6	1.990
42346 / 42587	87.960	149.225	31.750	28.971	24.608	3.0	3.3	138.0	215.0	31.6	2.180
42350 / 42584	88.900	148.430	28.575	28.971	21.433	3.0	3.0	138.0	215.0	28.9	1.960
42350 / 42587	88.900	149.225	31.750	28.971	24.608	3.0	3.3	138.0	215.0	34.8	1.970
42368 / 42584	93.662	148.430	28.575	28.971	21.433	3.0	3.0	138.0	215.0	31.6	1.800
42368 / 42587	93.262	149.225	31.750	28.971	24.608	3.0	3.3	138.0	215.0	34.8	2.034
42375 / 42584	95.250	148.430	28.575	28.971	21.433	3.0	3.0	138.0	215.0	31.6	1.750
42375 / 42587	95.250	149.225	31.750	28.971	24.608	3.0	3.3	138.0	215.0	31.6	1.804
42381 / 42584	96.838	148.430	28.575	28.971	21.433	3.5	3.0	138.0	215.0	31.6	1.690
42381 / 42587	96.838	149.225	31.750	28.971	24.606	3.5	3.3	138.0	215.0	31.8	1.746
L44600 SERIES											
L44640 / L44610	23.812	50.292	14.224	14.732	10.668	1.5	1.3	28.8	34.0	10.8	0.137
L44643 / L44610	25.400	50.292	14.224	14.732	10.668	1.3	1.3	28.8	34.0	10.8	0.130

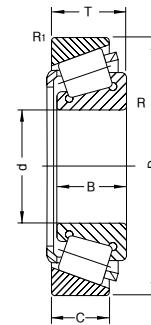


Item No.	Dimension (mm)					R	R1	Cr (KN)	Cor (KN)	a (mm)	Weight (KG)
	d	D	T	B	C						
L44649 / L44610	26.988	50.292	14.224	14.732	10.668	3.5	1.3	28.8	34.0		0.120
46700 SERIES											
46790 / 46720	165.100	225.425	41.275	39.688	33.338	3.5	3.3	254.0	555.0	43.9	4.690
47600 SERIES											
47678 / 47620	76.200	133.350	33.338	33.338	26.195	6.4	3.3	153.0	235.0	29.2	1.920
47678 / 47623A	76.200	133.350	33.338	33.338	26.195	6.4	0.8	153.0	235.0	29.2	1.925
47679 / 47620	76.200	133.350	33.338	33.338	26.195	3.5	3.3	153.0	235.0	29.2	1.930
47679 / 47623A	76.200	136.525	44.450	33.338	44.450	3.5	0.8	153.0	235.0	29.2	2.130
47681 / 47620	80.962	133.350	33.338	33.338	26.195	3.5	3.3	153.0	235.0	29.2	1.776
47681 / 47623A	80.962	136.525	44.450	33.338	44.450	3.5	0.8	153.0	235.0	29.2	1.928
47686 / 47620	82.550	133.350	33.338	33.338	26.195	3.5	3.3	153.0	235.0	29.2	1.720
47686 / 47623A	82.550	136.525	44.450	33.338	44.450	3.5	0.8	153.0	235.0	29.2	1.875
47687 / 47620	82.550	133.350	33.338	33.338	26.195	6.8	3.3	153.0	235.0	29.2	1.710
47687 / 47623A	82.550	136.525	44.450	33.338	44.450	6.8	0.8	153.0	235.0	29.2	1.854
LM48500 SERIES											
LM48548 / LM48510	34.925	65.088	18.034	18.288	13.970	5.6	1.3	46.5	56.0	14.3	0.249
49500 SERIES											
49585 / 49520	50.800	101.600	31.750	31.750	25.400	3.5	3.3	110.0	136.0	23.9	1.130
55000C SERIES											
55175C / 55437	44.450	111.125	30.162	26.909	20.638	3.5	3.3	104.0	136.0	37.3	1.450
55200C / 55437	50.800	112.712	30.162	26.909	20.638	3.5	3.3	104.0	136.0	37.3	0.340
LM67000 SERIES											
LM67048 / LM67010	31.750	59.131	15.875	16.764	11.811	5.6	1.3	34.5	41.0	13.0	0.182
L68100 SERIES											
L68149 / L68110	34.988	59.131	15.875	16.764	11.938	5.6	1.3	35.5	47.5	13.2	0.173
L68149 / L68111	34.988	59.974	15.875	16.764	11.938	5.6	1.3	35.5	47.5	13.2	0.179
L69300 SERIES											
JL69349 / JL69310	38.000	63.000	17.000	17.000	13.500	5.6	1.3	38.5	52.5	14.6	0.198
LM78300 SERIES											
LM78379 / LM78310A	34.988	61.973	16.700	17.000	13.600	1.5	1.5	37.0	48.0	14.3	0.209
M84500 SERIES											
M84548 / M84510	25.400	57.150	19.431	19.431	14.732	1.5	1.5	42.0	48.5		0.241
M86600 SERIES											

GMB Inch Series



Item No.	Dimension (mm)					R	R1	Cr (KN)	Cor (KN)	a (mm)	Weight (KG)
	d	D	T	B	C						
M86649 / M86610	30.162	64.292	21.433	21.433	16.670	1.5	1.5	51.5	64.5	18.0	0.336
M88000 SERIES											
M88048 / M88010	33.338	68.262	22.225	22.225	17.462	0.8	1.5	56.5	71.0	19.2	0.378
HM88600 SEREIS											
HM88649 / HM88610	34.925	72.233	25.400	25.400	19.842	2.3	2.3	65.0	84.5	20.7	0.489
HM88649 / HM88611	34.925	71.973	27.000	25.400	21.443	2.3	1.5	65.0	84.5	20.7	0.483
HM89400 SERIES											
HM89443 / HM89410	33.338	76.200	29.370	28.575	23.020	0.8	3.3	78.0	105.0	23.9	0.688
HM89443 / HM89411	33.338	76.200	29.370	28.575	23.020	0.8	0.8	78.0	105.0	23.9	0.696
HM89446 / HM89410	34.925	76.200	29.370	28.575	23.020	3.5	3.3	78.0	105.0	23.6	0.646
HM89446 / HM89411	34.925	76.200	29.370	28.575	23.020	3.5	0.8	78.0	105.0	23.6	0.655
HM89448 / HM89410	36.512	76.200	29.370	28.575	23.020	0.8	3.3	78.0	105.0	23.6	0.629
HM89448 / HM89411	36.512	76.200	29.370	28.575	23.020	0.8	0.8	78.0	105.0	23.6	0.644
HM89449 / HM89410	36.512	76.200	29.370	28.575	23.020	3.5	3.3	78.0	105.0	23.6	0.626
HM89449 / HM89411	36.512	76.200	29.370	28.575	23.020	3.5	0.8	78.0	105.0	23.6	0.631
LM102900 SERIES											
LM102949 / LM102910	45.242	73.431	19.558	19.812	15.748	3.5	0.8	54.0	76.0	14.7	0.307
LM104900 SERIES											
JLM104948 / JLM104910	50.000	82.000	21.500	21.500	17.000	3.0	0.5	69.5	94.0	16.2	0.420
LM104949 / LM104911	50.800	82.550	21.590	22.225	16.510	3.5	1.3	69.5	94.0	16.4	0.419
M205100 SERIES											
JM205149 / JM205110	50.000	90.000	28.000	28.000	23.000	3.0	2.5	106.0	141.0	20.2	0.752
M20700 SERIES											
JM207049 / JM207010	55.000	95.000	29.000	29.000	23.500	1.5	2.5	107.0	144.0	21.2	0.820
HM212000 SERIES											
HM212044 / HM212010	60.325	122.238	38.100	38.354	29.718	8.0	1.5	187.0	244.0	27.0	2.030
HM212044 / HM212011	60.325	122.238	38.100	38.354	29.718	8.0	3.3	187.0	244.0	27.0	2.020
HM212046 / HM212010	63.500	122.238	38.100	38.354	29.718	3.5	1.5	187.0	244.0	27.0	1.960
HM212046 / HM212011	63.500	122.238	38.100	38.354	29.718	3.5	3.3	187.0	244.0	27.0	1.950
HM212047 / HM212010	63.500	122.238	38.100	38.354	29.718	7.0	1.5	187.0	244.0	27.0	1.950
HM212047 / HM212011	63.500	122.238	38.100	38.354	29.718	7.0	3.3	187.0	244.0	27.0	1.940
HM212049 / HM212010	66.675	122.238	38.100	38.354	29.718	3.5	1.5	187.0	244.0	27.0	1.860
HM212049 / HM212011	66.675	122.238	38.100	35.354	29.718	3.5	3.3	187.0	244.0		1.850

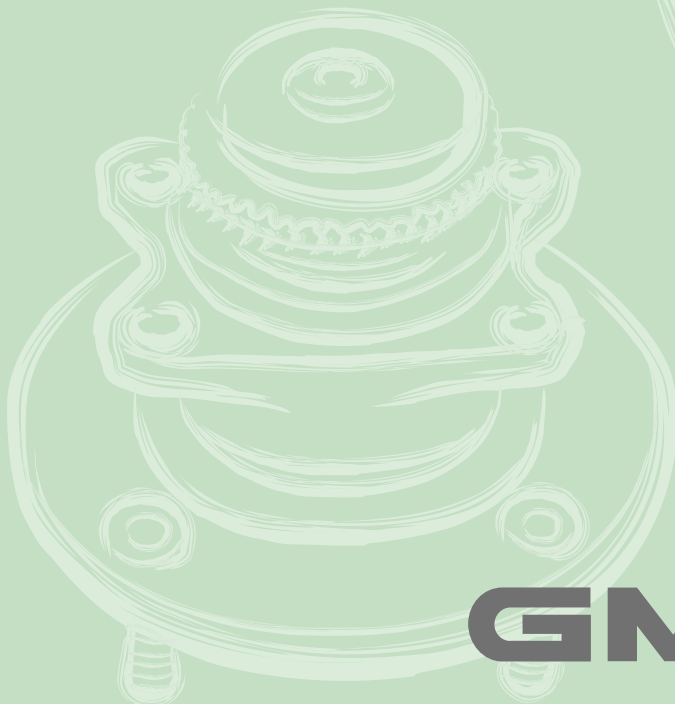
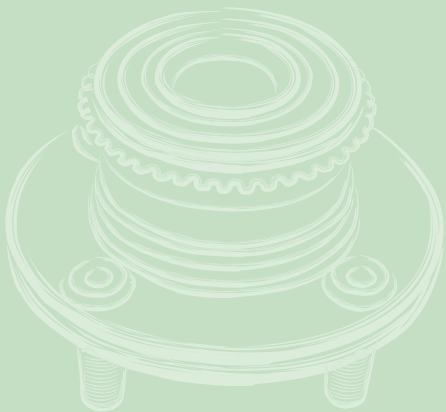


Item No.	Dimension (mm)					R	R1	Cr (KN)	Cor (KN)	a (mm)	Weight (KG)
	d	D	T	B	C						
HM218200 SERIES											
HM218248 / HM218210	89.974	146.975	40.000	40.000	32.500	7.0	3.5	227.0	340.0	30.8	2.550
L610000 SERIES											
L610549 / L610510	63.500	94.458	19.050	19.050	15.083	1.5	1.5	60.5	103.0	19.6	0.449
LM300800 SERIES											
LM300849 / LM300811	40.988	67.975	17.500	18.000	13.500		1.5	46.0	62.5	13.9	0.239
LM501300 SERIES											
LM501349 / LM501310	41.275	73.431	19.558	19.812	14.732	3.5	0.8	56.0	69.5	16.1	0.335
LM501349 / LM501314	41.275	73.431	21.430	19.812	16.604	3.5	0.8	56.0	69.5	18.0	0.355
LM506800 SEREIS											
JLM506849 / JML506810	55.000	90.000	23.000	23.000	18.500	1.5	0.5	77.5	109.0	20.1	0.558
LM508700 SERIES											
JLM508748 / JLM508710	60.000	95.000	24.000	24.000	19.000	5.0	2.5	83.0	122.0	21.2	0.606
HM518400 SERIES											
HM518445 / HM518410	88.900	152.400	39.688	39.688	30.162	6.4	3.3	253.0	365.0	33.1	2.838
LM603000 SERIES											
LM603049 / LM603011	45.242	77.788	19.842	19.842	15.080	3.5	0.8	57.5	73.5	17.5	0.372
LM603049 / LM603014	45.242	79.974	19.842	19.842	15.080	3.5	0.8	57.5	73.5	17.5	0.405
HM801300 SERIES											
HM801346 / HM801310	38.100	82.550	29.370	28.575	23.020	0.8	3.3	87.0	117.0	24.4	0.767
HM803100 SERIES											
HM803146 / HM803110	41.275	88.900	30.162	29.370	23.020	3.5	3.3	93.5	125.0	26.1	0.898
HM803149 / HM803110	44.450	88.900	30.162	29.370	23.020	3.5	3.3	93.5	125.0	26.1	0.849
HM807000 SEREIS											
HM807040 / HM807010	44.450	104.775	36.512	36.512	28.575	3.5	3.3	138.0	189.0	29.3	1.620
HM807044 / HM807010	49.212	104.775	36.512	36.512	28.575	3.5	3.3	138.0	189.0	29.3	1.520
HM807046 / HM807010	50.800	104.775	36.512	36.512	28.575	3.5	3.3	138.0	189.0	29.3	1.490
HM807049 / HM807010	53.975	104.775	36.512	36.512	28.575	3.5	3.3	138.0	189.0	29.3	1.410
LM813000 SEREIS											
JLM813049 / JLM813010	70.000	110.000	26.000	25.000	20.500	1.0	2.5	97.0	150.0	26.2	0.889
HM903200 SEREIS											
HM903249 / HM903210	44.450	95.250	30.958	28.575	22.225	3.5	0.8	96.0	116.0	30.7	1.000
HM903249A / HM903210	44.450	95.250	30.958	28.300	22.225	3.5	0.8	96.0	116.0	2.0	0.999

PART 2

- **Wheel Bearing**

- Double Row Angular Contact Bearing
- Double Row Taper Roller Bearing
- Air-conditioner Bearing



GMB

GMB Double Row Angular Contact Bearing

No.	GMB No.	Reference No.	Seal Type	Size(mm)				Magnetic
				d	D	B	C	
1	GH025030	DAC25520037	Seal	25	52	37	37	
2	GH025040	DAC25520042	Seal	25	52	42	42	
3	GH025050	DAC25520043	Seal	25	52	43	43	
4	GH025060	DAC25550043	Seal	25	55	43	43	
5	GH027020	DAC27600050	One side seal, One side shield	27	60	50	50	
6	GH028010	DAC28580042	Seal	28	58	42	42	
7	GH028015	DAC28580044	Seal	28	58	44	44	
8	GH030020	DAC30580042	Seal	30	58	42	42	
9	GH030050	DAC30600337	Seal	30	60.03	37	37	
10	GH030075	DAC30630042	Open	30	63	42	42	
11	GH030080	DAC30640042	Shield	29.99	64	42	42	
12	GH032010	DAC32640038	Seal	32	64	45	38	
13	GH032030	DAC32720045	Open	32	72	45	45	
14	GH032032	DAC32720045B	Seal	32	75	45	45	
15	GH034010	DAC34620037	Seal	34	62	37	37	
16	GH034030	DAC34640037	Seal	34	64	37	37	
17	GH034031	DAC34640037	Shield	34	64	37	37	
18	GH034040	DAC34660037	Seal	34	66	37	37	
19	GH034050	DAC34670037	Seal	34	67	37	37	
20	GH035020	DAC35620037	Seal	35	62	37	37	
21	GH035030	DAC35618040	Shield	35	61.8	40	40	
22	GH035031	DAC35620040	Seal	35	61.8	40	40	
23	GH035035	DAC35618040	One side seal, One side shield	35	61.8	40	40	
24	GH035040	DAC35640037	Seal	35	64	37	37	
25	GH035041	DAC35640037B	Seal	35	64	37	37	
26	GH035050	DAC35650035	Seal	35	65	35	35	
27	GH035051	DAC35650035A	Shield	35	65	35	35	
28	GH035080	DAC35660033	Seal	35	66	33	33	
29	GH035085	DAC35660033	One side seal, One side shield	35	66	33	33	O

No.	GMB No.	Reference No.	Seal Type	Size(mm)				Magnetic
				d	D	B	C	
30	GH035090	DAC35660037	Seal	35	66	37	37	
31	GH035091	DAC35660037	Shield	35	66	37	37	
32	GH035100	DAC35670042	Seal	35	67	42	42	
33	GH035110	DAC35680037	Seal	35	68	37	37	
34	GH035111	DAC35680037A	Shield	35	68	37	37	
35	GH035115	DAC35680037A	Shield	35	68	37	37	O
36	GH035120	DAC35680233/30	Open	34.99	68.02	33	30	
37	GH035160	DAC35720033	Shield	35	72	33	33	
38	GH035165	DAC35720033	One side seal, One side shield	35	72	33	33	O
39	GH035170	DAC35720433	Shield	35	72.04	33	33	
40	GH036010	DAC36680033	Open	36	68	33	33	
41	GH036020	DAC366833DZ	Seal	36	68	33	33	
42	GH037010	DAC37720033	Shield	37	72	33	33	
43	GH037020	DAC37720037	Seal	37	72	37	37	
44	GH037025	DAC37720037B	Shield	37	72	37	37	
45	GH037040	DAC37720437	Seal	37	72.04	37	37	
46	GH037045	DAC37720437	One side seal, One side shield	36.97	72.04	37	37	O
47	GH037047	DAC37740037	One side seal, One side shield	37	74	37	37	O
48	GH037050	DAC37740045	Seal	37	74	45	45	
49	GH038021	DAC38700037S	Shield	38.1	70	37	37	
50	GH038030	DAC38700038	Shield	38	70	38	38	
51	GH038040	DAC38710233/30	Open	37.99	71.02	33	30	
52	GH038042	DAC38710039	Shield	38	71	39	39	
53	GH038050	DAC38720034	Seal	38	72	34	34	
54	GH038060	DAC38720236/33	Seal	38	72.02	36	33	
55	GH038070	DAC38720040	Seal	38	72	40	40	
56	GH038080	DAC38720236/33	Open	37.99	72.02	36	33	
57	GH038090	DAC38720440	Seal	38	72.04	40	40	
58	GH038100	DAC38730040	Seal	38	73	40	40	

GMB Double Row Angular Contact Bearing

No.	GMB No.	Reference No.	Seal Type	Size(mm)				Magnetic
				d	D	B	C	
59	GH038101	DAC38730040	Seal	38	73	40	40	O
60	GH038110	DAC38740036/33	Open	38	74	36	33	
61	GH038120	DAC38740236/33	Open	38	74	36	33	
62	GH038130	DAC38740040	Seal	38	74	40	40	
63	GH038140	DAC38740050	Seal	38	74	50	50	
64	GH038145	DAC38740050B	Seal	38	74	50	50	
65	GH039010	DAC39680037	Seal	39	68	37	37	
66	GH039030	DAC39680737	Seal	39	68.07	37	37	
67	GH039040	DAC39720037	Seal	39	72	37	37	
68	GH039045	DAC39720437	One side seal, One side shield	39	72.04	37	37	O
69	GH039060	DAC39740039	Seal	39	74	39	39	
70	GH039065	DAC39740039	One side seal, One side shield	39	74	39	39	O
71	GH039080	DAC39740036S	One side seal, One side shield	39.1	74.02	36	34	
72	GH039090	DAC39(41)750037	Shield	39/41	75	23.5/13.5	37	
73	GH040010	DAC40720036/33	Seal	40	72	36	33	
74	GH040011	DAC40720036	Open	40	72	36	36	
75	GH040015	DAC40720836S	One side seal, One side shield	40	72.08	36	36	
76	GH040017	DAC40720836B	Shield	40	72.08	36	36	
77	GH040020	DAC40720037	Seal	40	72	37	37	
78	GH040025	DAC40740036/34	Open	40	74	34	34	
79	GH040030	DAC40740036/34	Shield	40	74	36	34	
80	GH040031	DAC40740036	Shield	40	74	36	34	
81	GH040040	DAC40740040	Seal	40	74	40	40	
82	GH040050	DAC40740042	Shield	40	74	42	42	
83	GH040060	DAC40740242	Shield	40	74.02	42	42	
84	GH040070	DAC40750037	Shield	40	75	37	37	
85	GH040072	DAC40750039	One side seal, One side shield	40	75	39	39	O
86	GH040075	DAC40750037	One side seal, One side shield	40	75	37	37	O
87	GH040080	DAC40760033	Shield	40	76	33	33	

No.	GMB No.	Reference No.	Seal Type	Size(mm)				Magnetic
				d	D	B	C	
88	GH040081	DAC40760033/28	Seal	40	76	33	28	
89	GH040085	DAC40760037	Seal	40	76	37	37	
90	GH040087	DAC40760037	Shield	40	76	37	37	
91	GH040110	DAC408000302	Open	40	80	30.2	30.2	
92	GH040130	DAC40800036/34	Shield	40	80	36	34	
93	GH040131	DAC40800036/34B	Open	40	80	36	34	
94	GH040135	DAC40800040	Shield	40	80	40	40	
95	GH042010	DAC42750037	Shield	42	75	37	37	
96	GH042040	DAC42760038/35	Seal	42	76	38	35	
97	GH042045	DAC42760038/35F	Shield	42	76	38	35	
98	GH042050	DAC42760039	Shield	42	76	39	39	
99	GH042060	DAC42760040/37	Seal	42	76	40	37	
100	GH042070	DAC42780040	Shield	42	78	41	38	
101	GH042080	DAC42770039	One side seal, One side shield	42	78.05	41	38	O
102	GH042090	DAC42780045	Shield	42	78	45	45	
103	GH042100	DAC42800036/34	Shield	42	80	36	34	
104	GH042130	DAC42800045	Seal	42	80	45	45	
105	GH042135	DAC42800045	One side seal, One side shield	42	80	45	45	O
106	GH042150	DAC42800036/34	Seal	42	80	36	34	
107	GH042160	DAC42820036	Shield	42	82	36	36	
108	GH042161	DAC42820036B	Shield	42	82	36	36	
109	GH042165	DAC42820036B	One side seal, One side shield	42	82	36	36	O
110	GH042170	DAC42820037	Seal	42	82	37	37	
111	GH042180	DAC42820039	Shield	42	82	39	39	
112	GH042200	DAC42840039	Shield	42	84	39	39	
113	GH043010	DAC43760043	Shield	43	76	43	43	
114	GH043015	DAC43760043	One side seal, One side shield	43	76	43	43	O
115	GH043020	DAC43790041/38	Seal	43	79	41	38	
116	GH043040	DAC43800050/45	Seal	43	80	50	45	

GMB Double Row Angular Contact Bearing

No.	GMB No.	Reference No.	Seal Type	Size(mm)				Magnetic
				d	D	B	C	
117	GH043050	DAC43820045	Seal	43	82	45	45	
118	GH043060	DAC43(45)820037	Open	43/45	82	23.5/13.5	37	
119	GH044010	DAC44825037	Open	44	82.5	37	37	
120	GH044015	DAC44825037	Seal	44	82.5	37	37	O
121	GH044020	DAC44840042	Seal	44	84	42	42	
122	GH045010	DAC45800045	Seal	45	80	45	45	
123	GH045015	DAC45830044	Seal	45	83	44	44	O
124	GH045020	DAC45840039	Seal	45	84	39	39	
125	GH045025	DAC45840039	Seal	45	84	39	39	
126	GH045030	DAC45840041/39F	One side seal, One side shield	45	84	41	39	
127	GH045035	DAC45840041/39	Seal	45	84	41	39	
128	GH045040	DAC45840042/40	One side seal, One side shield	45	84	42	40	O
129	GH045045	DAC45840042/40	Shield	45	84	42	40	
130	GH045050	DAC45840045	Shield	45	84	45	45	
131	GH045080	DAC45850041	Seal	45	85	41	41	
132	GH045090	DAC45860039	Open	45	86	39	39	O
133	GH045092	DAC45880039	One side seal, One side shield	45	88	39	39	O
134	GH045095	DAC45860044	Shield	45	86	44	44	O
135	GH047010	DAC47810053	Seal	47	81	53	53	
136	GH048001	DAC48860042/40	Open	48	86	42	40	
137	GH048005	DAC48860042/40	Shield	48	86	42	40	O
138	GH049020	DAC49900045	Shield	49	90	45	45	
139	GH050010	DAC40750050	Seal	40	75	50	50	
140	GH051010	DAC51960050	Shield	51	96	50	50	O

GMB Double Row Taper Roller Bearing

No.	GMB No.	Seal Type	Size(mm)				Magnetic
			d	D	B	C	
1	GH0010R0	Shield	25	60	45	45	
2	GH0011R0	Shield	30	62	48	48	
3	GH0012R0	Shield	25	62	48	48	
4	GH0013R0	Shield	35	68	48	48	
5	GH0014R0	Shield	25	55	48	48	
6	GH0015R0	Shield	30	62	51	51	
7	GH0016R0	Seal	42	76	39	39	
8	GH0017R0	Shield	49	84	48	48	
9	GH0018R0	One side seal, One side shield	29	53	37	37	
10	GH0019R0	Open	27	52	45	43	
11	GH0020R0	Shield	47	85	45	45	
12	GH0021R0	Seal	42	72	38	38	
13	GH0022R0	Seal	25	52	37	37	
14	GH0022R5	Seal	25	52	37	37	
15	GH0023R0	Open	41	68	40	35	
16	GH0024R0	Seal	42	76	40	37	
17	GH0025R0	Open	43	77	45.5	41.5	
18	GH0026R0	Open	38	64	32	32	
19	GH0027R2	Open	38	65	52	48	
20	GH0028R0	Open	38	64.02	36	33	
21	GH0029R0	Shield	47	88	55	55	
22	GH0030R0	Shield	30	62	48	48	
23	GH0032R0	Shield	25	55	45	45	
24	GH0033R0	Shield	30	62	48	48	
25	GH0035R0	Shield	55	90	60	60	
26	GH0036R0	Shield	40	73	55	55	
27	GH0037R0	Seal	37	72	37	37	
28	GH0038R0	Seal	40	72	37	37	
29	GH0039R0	Shield	42	76	39	39	

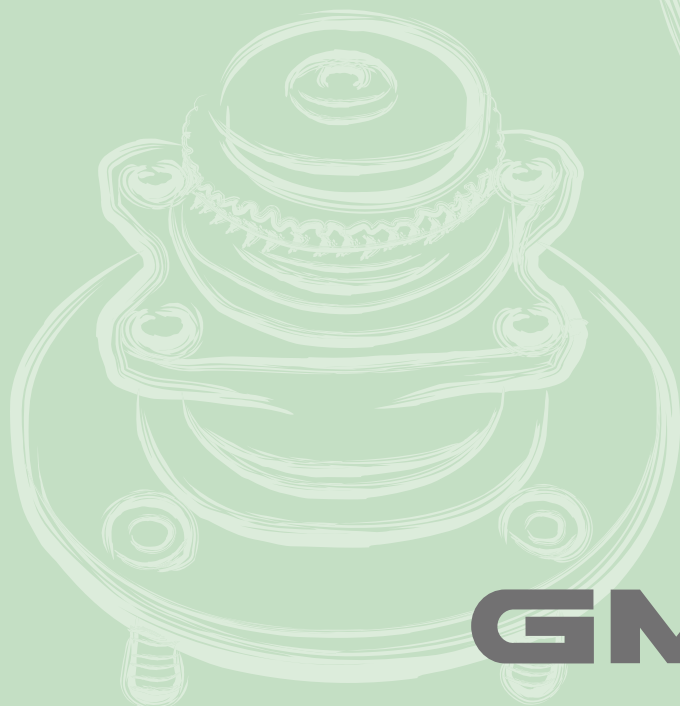
No.	GMB No.	Seal Type	Size(mm)				Magnetic
			d	D	B	C	
30	GH0040R0	Open	42	72	38	35	
31	GH0041R0	Seal	30	60.03	37	37	
32	GH0042R0	Seal	49	84	48	48	
33	GH0043R0	Shield	45.3	80	48	48	
34	GH0044R0	Shield	25	60	45	45	
35	GH0045R0	Shield	42	75	60	60	
36	GH0046R0	Seal	27	53	43	43	
37	GH0047R0	Seal	25	52	43	43	
38	GH0048R5	Seal	25	55	43	43	
39	GH0050R0	Seal	35	65	35	35	
40	GH0051R0	Shield	39	68	37	37	
41	GH0052R0	Seal	40	68	42	42	
42	GH0053R0	Shield	42	82	36	36	
43	GH0054R0	Seal	49	84	43	43	
44	GH0055R0	Open	42	76	39	39	
45	GH0056R0	One side seal, One side shield	55	90	54	54	O
46	GH0057R0	Open	40	80	45	44	
47	GH0058R0	Shield	45	88	55	55	

GMB Air-conditioner Bearing

No.	GMB No.	Reference No.	Seal Type	Size(mm)				Remark
				d	D	B	C	
1	GH030100	DAC30470018	Seal	30	47	18	18	
2	GH030110	DAC30472118	Seal	30	47	21	18	
3	GH030120	DAC30470022	Seal	30	47	22	22	
4	GH030130	DAC30520020	Seal	30	52	20	20	
5	GH030140	DAC30520022	Seal	30	52	22	22	
6	GH030150	DAC30550023	Seal	30	55	23	23	
7	GH030160	DAC30620027	Seal	30	62	27	27	
8	GH035200	DAC35500020	Seal	35	50	20	20	
9	GH035210	DAC35520020	Seal	35	52	20	20	
10	GH035220	DAC35520022	Seal	35	52	22	22	
11	GH035230	DAC35520023	Seal	35	52	23	23	
12	GH035240	DAC35550020	Seal	35	55	20	20	
13	GH035250	DAC35620021	Seal	35	62	21	21	
14	GH035260	DAC35620024	Seal	35	62	24	24	
15	GH035270	DAC35620028	Seal	35	62	28	28	
16	GH040200	DAC40550024	Seal	40	55	24	24	
17	GH040210	DAC40570024	Seal	40	57	24	24	
18	GH040220	DAC40572420	Seal	40	57	24	20	
19	GH040230	DAC40572424	Seal	40	57	24	24	
20	GH040240	DAC40620020	Seal	40	62	20.625	20.625	
21	GH040250	DAC40622420	Seal	40	62	24	20.625	
22	GH040260	DAC40660024	Seal	40	66	24	24	
23	GH040270	DAC40680030	Seal	40	68	30	30	

PART 3

· HUB Unit



GMB

GMB HUB Unit

Car	Model	Year	GMB No.	SKF
ACURA	CL	95-00	GH20420	BR930136
	CSX	06-09	GH31780	
	TL	96-00	GH21270	BR930383
ALFA ROMEO	145	94-01	GH21720	
	146	94-01	GH21720	
	147	01-05	GH22500	BAF0049
	155	92-97	GH21720	
	156	02-05	GH22500	BAF0049
	166	98-07	GH22150	
	166	98-00	GH22510	BAF0052
	GT	03-11	GH22500	BAF0049
AUDI	A2	00-05	GH32470	
	A2	02-08	GH21450	VKBA3567
	A4	01-04	GH21630	BR930445
	A6	98-08	GH21940	BAF 0125 A
	A6	97-05	GH30400	
	A8	96-06	GH21940	BAF 0125 A
	TT	00-06	GH20030	BR930108
BMW	3 Series	90-98	GH20810	BR930161
	3 Series	93-98	GH21740	BAFB447318B
	5 Series	89-95	GH20810	BR930161
	5 Series	91-03	GH21240	
	5 Series	96-03	GH21460	
	5 Series	89-95	GH21740	BAFB447318B
	5 Series	81-90	GH21750	BAFB446389A
	5 Series	97-03	GH30270	BR930144
	7 Series	86-94	GH20810	BR930161
	7 Series	88-91	GH21240	
	7 Series	86-94	GH21740	BAFB447318B
	8 Series	91-03	GH21240	
8 Series	93-99	GH21740	BAFB447318B	

BCA	Reference No.	ABS	Remark
512172		O	
512256	42200-SNA-A52	O	
512188			
	775 0120, 608 064 40, 608 121 95		
	775 0120, 608 064 40, 608 121 95		
	606 520 14	O	
	775 0120, 608 064 40, 608 121 95		
	606 520 14	O	
	TGB40490	O	
	606 527 20		
	606 520 14	O	
	6Q0407621AJ		
	6Q0 598 611	O	
	8E0598611A	O	
512305	4D0 407 625 H, 4D0 407 625 D		
	8E0 501 611, 8E0 501 611 J	O	
512305	4D0 407 625 H, 4D0 407 625 D		
512012	J0 598 477		
513125	31 22 1 139 345, 1138644	O	
	31 22 1 139 345, 31 22 6 757 024,6757024		
513125	31 22 1 139 345, 1138644	O	
513096		O	
	33 41 1 095 652, 33 41 1 093 102, 33 41 1 095 654, 33 41 1 093 725		
	31 22 1 139 345, 31 22 6 757 024, 6757024		
	31 21 1 124 439, 31 21 1 124 440, 31 21 1 124 441, 31 21 1 126 478, 31 21 1 129 730, 31 21 1 130 530, 31 21 1 131 298		
513172			
513125	31 22 1 139 345, 1138644	O	
513096		O	
	31 22 1 139 345, 31 22 6 757 024, 6757024	O	
513096		O	
	31 22 1 139 345, 31 22 6 757 024, 6757024		

GMB HUB Unit

Car	Model	Year	GMB No.	SKF
BMW	8 Series	93-99	GH21740	BAFB447318B
	M5	89-93	GH21240	
	Z Series	95-03	GH20810	BR930161
	Z Series	97-03	GH21740	BAFB447318B
BUICK	Riviera	80-85	GH30100	BR930052K
	Regal	91-92	GH30110	BR930026
	Century	83-89	GH30110	BR930026
	Riviera	88-90	GH30140	BR930061
	Lesabre	92-95	GH30180	BR930077
	Skylark	83-85	GH30290	BR930091K
	Century	82-80	GH30290	BR930091K
	Electra	89-92	GH30300	BR930022K
	Lesabre, Park Avenue	90-92	GH30300	BR930022K
	Century	92-93	GH30300	BR930022K
	Riviera	83-89	GH30300	BR930022K
	Reatta	86-88	GH30300	BR930022K
	Skylark	86-98	GH30310	BR930028K
	Somerset	85-88	GH30310	BR930028K
	Skyhawk	84-87	GH30310	BR930028K
	Century	94-96	GH30470	BR930078
	Regal	88-91	GH30570	BR930087
	Lesabre, Park Avenue	90-92	GH30580	BR930068
	Century, Regal	03-05	GH30670	BR930149
	Rendezvous	02-07	GH30680	BR930548K
	Rainier	04-07	GH30690	BR930397
	Lucerne	06-08	GH31170	
	Allure, Lacrosse	05-08	GH31170	
	Regal	88-96	GH30130	BR930083K
ACURA	Cimarron	82-88	GH30090	BR930093
	Cimarron	84-87	GH30310	BR930028K
	Eldorado, Seville	89-90	GH30140	BR930061

BCA	Reference No.	ABS	Remark
513096			
513125	31 22 1 139 345, 1138644		
	31 22 1 139 345, 31 22 6 757 024, 6757024		
513013	746 6942, 746 6920		
513018	747 0504, 746 7132		
513018	747 0504, 746 7132		
513059	747 0586, 746 6961		
513088	746 6977, 747 0553		
513011K	747 0558, 747 0002, 746 6905		
513011K	747 0558, 747 0002, 746 6905		
513016K	746 6957, 747 0003		
513016K	746 6957, 747 0003		
513016K	746 6957, 747 0003		
513016K	746 6957, 747 0003		
513016K	746 6957, 747 0003		
513017K	747 0014, 746 6997, 746 6825		
513017K	747 0014, 746 6997, 746 6825		
513017K	747 0014, 746 6997, 746 6825		
512078	747 0549		
513042		O	
513062	747 0542		
513179			
513187			
513188			
513199			
513199			
513044	747 0518, 746 7140		
513012	747 0560		
513017K	747 0014, 746 6997, 746 6825		
513059	747 0586, 746 6961		

GMB HUB Unit

Car	Model	Year	GMB No.	SKF
ACURA	Eldorado, Seville	02-04	GH30670	BR930149
	Escalade	02-06	GH30850	BR930304
	Seville, Eldorado	93-02	GH31450	
CHEVROLET	1500	88-91	GH30340	BR930035
	2500	88-94	GH30330	BR930094
	Avalanche 2500	02-07	GH31370	BR930416
	Beretta, Cavalier, Corsica	92-02	GH30440	BR930070
	Blazer	03-05	GH30710	
	C3500	96-00	GH31330	BR930452
	Cavalier	84-87	GH30310	BR930028K
	Celebrity	83-89	GH30290	BR930091K
	Citation	83-85	GH30290	BR930091K
	Cobalt	05-10	GH31190	
	Corvette	84-85	GH30120	BR930024
	Equinox	05-06	GH31020	BR930328
	Equinox	05-06	GH31140	
	Lumina	96-99	GH30460	BR930096
	Lumina	96-99	GH30490	BR930145
	Lumina	00-01	GH30490	BR930145
	Lumina, Monte Carlo	90-99	GH30130	BR930083K
	Malibu	97-00	GH30450	
	Malibu	01-03	GH30500	BR930098
	Malibu	97-03	GH30640	BR930080
	Malibu	04-05	GH31210	BR930317
	Malibu	04-05	GH31220	BR930314
	Malibu	04-05	GH31480	
	Malibu	04-05	GH31490	
	Monte Carlo	97-99	GH30490	BR930145
	Prizm	98-02	GH30020	BR930336
	Silverado 1500	01-05	GH31350	
Silverado 1500	01-05	GH31370	BR930416	

BCA	Reference No.	ABS	Remark
513179			
515036	15112382		
512006			
515002	12541129		
515001	15693437, 15564906		
515058	89059059		
512001	747 0509, 747 0523,746 6970, 747 0597		
513200			
515052			
513017K	747 0014, 746 6997,746 6825		
513011K	747 0558, 747 0002,746 6905		
513011K	747 0558, 747 0002,746 6905		
513205			
513020	746 6924		
512229	22702690		
513189			
512004	746 7113, 746 7133,747 0545		
512151	747 0610		
512151	747 0610		
513044	747 0518, 746 7140		
512003	7467119, 7470555		
512152			
513137	12413040		
513214			
513215			
512285	12413111	O	
512287	12413117		
512151	747 0610		
512018	746 6994, 42410-02020, 42410-12090		
515054	15037207		
515058	89059059		

GMB HUB Unit

Car	Model	Year	GMB No.	SKF
CHEVROLET	Suburban	88-94	GH31250	
	Suburban	00-05	GH31350	
	Suburban 2500	00-07	GH31370	BR930416
	Truck	95-99	GH30800	BR930346
	Truck	01-06	GH30850	BR930304
	Truck	96-99	GH30880	BR930406
	Truck	03-07	GH31380	
CHRYSLER	AD100 Ramcharger, AD150 Ramcharger	97-99	GH31260	BR930410
	AD100 Ramcharger, AD150 Ramcharger	97-99	GH31310	BR930415
	Aspen	91-95	GH30160	BR930013
	Dynasty	85-90	GH30160	BR930013
	Intrepid	93-04	GH30190	BR930190K
	Intrepid	93-97	GH20670	BR930189
	Lebaron, New Yorkers	82-83	GH10070	BR930000
	Neon	95-99	GH10230	BR930182K
	Neon	00-05	GH20550	BR930173
	Neon	96-97	GH20630	BR930196
	Pacifica	96-00	GH30210	BR930216
	PT Cruiser	00-03	GH20550	BR930173
	PT Cruiser	01-02	GH20560	BR930230
	Sebring	01-06	GH20760	
	Stratus	95-06	GH20110	BR930194
	Stratus	95-97	GH20700	BR930176
	Stratus	01-06	GH30230	BR930138
	Stratus	01-05	GH30250	BR930214
	Town	96-00	GH30220	BR930215
	Town, Country	96-00	GH31520	
Town, Country, Voyager	01-07	GH31010	BR930278	
Voyager	84-01	GH30150	BR930021K	
Voyager	95-01	GH30950	BR930069	

BCA	Reference No.	ABS	Remark
515018			
515054	15037207		
515058	89059059		
515024	15997071		
515036	15112382		
515041			
515059			
515023	52069880AA		
515049	52069881AA		
513075	7466981		
513075	7466981		
513089	4593450AA, 4728867, 04728867		
512029	4,582,204,779,011		
518500	5212521		
518512	4670287		
512167	4509 767,4509766		
512023	4509600		
513122	4641516		
512167	4509 767,4509766		
512168			
512220			
512154	4616477,4616477AB		
512133	4616263		
513138	4593777, 4593462		
513157	MB949047, MB949097, MR103664, MR334386, MR403970		
513123	4641517		
512157			
512169			
513074	5241068, 4641732, 4504039		
512155	4721513, 4683513		

GMB HUB Unit

Car	Model	Year	GMB No.	SKF
	Voyager	95-01	GH30960	BR930067
CITROEN	C15	88-96	GH20310	BAFB444450
	Saxo	96-03	GH10080	BR930002
	Xantia	89-99	GH21570	BAF-0066D
	Xantia	89-99	GH21680	
	Xantia	93-98	GH20310	BAFB444450
	Xsara	97-05	GH10080	BR930002
	Xsara	97-05	GH21800	
	Xsara	97-05	GH22540	BAF-4110 C
DAEWOO	Leganza	04-12	GH21260	
DODGE	Caravan	01-02	GH30050	
	Dakota	04-07	GH31230	BR930205
	Dakota	91-96	GH31540	
	Dakota, Durango	97-03	GH10160	
	Dakota, Durango	97-03	GH10170	
	Dakota, Durango	97-03	GH30350	BR930207
	Dakota, Durango	97-03	GH30750	BR930204
	MINI-Ram VAN	88-90	GH10180	BR930001
	Ram	00-01	GH31390	
	Ram	00-01	GH31400	
	Ram	94-97	GH31410	
	Ram	02-05	GH31420	
	Ram	02-05	GH31500	
	Ram	03-05	GH31550	
	Ram	02-05	GH31500	
	Ram	03-05	GH31550	
	Ram 1500	00-01	GH30860	BR930305
	Ram 1500	00-01	GH30870	BR930409
	Ram 2500	94-99	GH30360	BR930405
	Ramcharger	97-99	GH10060	BR930256
FIAT	Barchetta	95-98	GH21720	

BCA	Reference No.	ABS	Remark
512156	4721514, 4683514, 4721515		
	3701.42, 954 961 46, 95619162		
518502	3748.17, 95654078		
	3748.33, 3307.61		
	95 666 965		
	3701.42, 954 961 46, 95619162		
518502	3748.17, 95654078		
	3748.48 , 3748.38, 3748.72		
512159	96219450, 96219474		
512170			
515009	52068964AB		
513109			
515032			
515033			
515007	52069361AB		
515008	52068965AB		
518501	5212-545, NA		
515062			
515063			
515070			
515072			
515073			
515061			
515073			
515061			
515038			
515039			
515012	5010-020AA		
515006	52008220		
	0775 0120, 4645 3887, 6081 2195, 0760 3679, 0778 7124, 5175 4192, 775 0120, 778 7124, 760 3679		

GMB HUB Unit

Car	Model	Year	GMB No.	SKF
FIAT	Barchetta	95-98	GH21720	
	Brava	98-01	GH21720	
	Cinquecento	91-99	GH21730	BAFB633622E
	Coupe	93-00	GH21720	
	Ducato	06-09	GH22400	
	Marea	96-02	GH21720	
	Multipia	00-05	GH21720	
	Palio	99-03	GH21720	
	Panda	03-06	GH21720	
	Panda	82-04	GH21730	BAFB633622E
	Panda	82-04	GH31820	
	Punto	94-99	GH21720	
	Regata	83-90	GH21730	BAFB633622E
	Ritmo	80-89	GH21730	BAFB633622E
	Seicento	98-01	GH21730	BAFB633622E
	Tempra	90-96	GH21730	
	Tipo	89-95	GH21720	
	FORD	Aerostar	86-91	GH10050
Cougar		98-01	GH20640	BR930150
Crown Victoria		92-97	GH20780	BR930060
Crown Victoria		00-02	GH20830	BR930168
Crown Victoria		03-05	GH30700	BR930306
Escape		01-09	GH10250	
Escort		94-03	GH20870	
Expedition		00-03	GH30730	BR930208
Expedition		01-02	GH30840	BR930236
Expedition		03-06	GH31280	
Explorer		95-01	GH10090	BR930153K
Explorer		02-05	GH10270	BR930259

BCA	Reference No.	ABS	Remark
	0775 0120, 4645 3887, 6081 2195, 0760 3679, 0778 7124, 5175 4192, 775 0120, 778 7124, 760 367		
	0775 0120, 4645 3887, 6081 2195, 0760 3679, 0778 7124, 5175 4192, 775 0120, 778 7124, 760 3679		
	7599461, 3981594, 4344535, 4379767, 5948422		
	0775 0120, 4645 3887, 6081 2195, 0760 3679, 0778 7124, 5175 4192, 775 0120, 778 7124, 760 3679		
	41459 S01P		
	0775 0120, 4645 3887, 6081 2195, 0760 3679, 0778 7124, 5175 4192, 775 0120, 778 7124, 760 3679		
	0775 0120, 4645 3887, 6081 2195, 0760 3679, 0778 7124, 5175 4192, 775 0120, 778 7124, 760 3679		
	0775 0120, 4645 3887, 6081 2195, 0760 3679, 0778 7124, 5175 4192, 775 0120, 778 7124, 760 3679		
	0775 0120, 4645 3887, 6081 2195, 0760 3679, 0778 7124, 5175 4192, 775 0120, 778 7124, 760 3679		
	7599461, 3981594, 4344535, 4379767, 5948422		
	4400918, 58 909 94, 59 630 34, 71747 857		
	0775 0120, 4645 3887, 6081 2195, 0760 3679, 0778 7124, 5175 4192, 775 0120, 778 7124, 760 3679		
	7599461, 3981594, 4344535, 4379767, 5948422		
	7599461, 3981594, 4344535, 4379767, 5948422		
	7599461, 3981594, 4344535, 4379767, 5948422		
	0775 0120, 4645 3887, 6081 2195, 0760 3679, 0778 7124, 5175 4192, 775 0120, 778 7124, 760 3679		
	0775 0120, 4645 3887, 6081 2195, 0760 3679, 0778 7124, 5175 4192, 775 0120, 778 7124, 760 3679		
515000	F29-1104-BA		
512024	5027622	O	
513104	F2AC-2B633AA	O	
513202	F8AZ-1104BA	O	
513196			
518515			
512161			
515004	F75W-1104CA		
515031			
515042			
518503	F5RZ-1104		
521000	3L2Z-1109-AA		

GMB HUB Unit

Car	Model	Year	GMB No.	SKF
FORD	Explorer	02-05	GH30720	BR930252
	Explorer	02-05	GH31320	
	F150	00-03	GH30370	BR930218
	F150	00-03	GH30760	BR930208
	F150	04-07	GH30830	BR930423
	F150	00-03	GH31510	
	F250	03-04	GH31360	BR930438
	F250	97-98	GH31510	
	F250, F350, F450	00-04	GH30380	BR930424
	F250, F350, F450	00-02	GH30790	BR930420
	F250, F350, F450	00-02	GH30810	BR930421
	Fiesta	01-04	GH31810	VKBA3532
	Focus	00-08	GH10220	BR930263K
	Focus	03-07	GH21190	
	Focus	03-07	GH31570	
	Focus	98-04	GH31810	VKBA3532
	Fusion	02-04	GH31810	VKBA3532
	Mondeo	93-96	GH20640	BR930150
	Mondeo	93-96	GH21040	BR930308
	Mondeo	00-07	GH31850	BAR-0078D
	Mustang	94-04	GH20800	BR930250
	Probe	93-97	GH20850	
	Ranger	98-99	GH30390	BR930341
	Ranger	01-02	GH30770	BR930343
	Ranger	00-03	GH30820	BR930342
	Ranger	01-08	GH31240	BR930344
	Ranger	98-03	GH31270	BR930342
	Taurus	92-95	GH10260	BR930152K
	Taurus	00-03	GH20080	BR930106
	Taurus	93-07	GH20680	BR930107
Taurus	01-07	GH20880	BR930366	

BCA	Reference No.	ABS	Remark
515003	F87Z-1104CA, F67A-1125BA		
515050			
515017	F65Z-1104BA		
515010	XL3Z-1104AD		
515029	YL3Z-1104-AA		
515030			
515056			
515030			
515021	F81Z-1104-CE		
515020			
515025	F81Z-1104-CH		
	1 085 565, 1 135 043, 1 201 568	O	
518510	YS4Z-1215-BB		
	1223640, 1326487, 1336139	O	
	7M51 2C299 AC	O	
	1 085 565, 1 135 043, 1 201 568		
	1 085 565, 1 135 043, 1 201 568		
512024	5027622	O	
513193	1 201 300, 4 052 783, 4 506 244, YC152B663AE, 1C1J1K018AA	O	
	1146689, 1115019	O	
513115	1R3Z-1104BA, 1R33-2B633AA1R3	O	
512118			
515026	YS4Z-20-4CA,XL54-1104BA F87Z-1104BB,F87A-1104BB(BC)		
515013	YL5Z-1104-AA		
515027			
515014			
515027			
520100	F3DC-1104-AA		
512106	F0DC-1104A		
512107	F3DC-2B664AB, 1F1Z-1104AA		
512163			

GMB HUB Unit

GMB Korea Corp.

Car	Model	Year	GMB No.	SKF
FORD	Taurus	96-07	GH30200	BR930179
	Thunder Bird	91-97	GH20770	BR930048
	Transit	06-09	GH21040	BR930308
	Transit	06-09	GH21160	BTF-1125B
	Transit	06-09	GH21170	BTF 1210
	Transit	06-09	GH21230	BTF-1209
	Transit	06-09	GH21950	BAF 0135 A
	Windstar	95-98	GH20710	
	Windstar	99-03	GH30240	
GMC	G2500, G3500	03-05	GH31380	
	Safari	90-94	GH30740	BR930265
	Safari	95-02	GH30780	BR930209
	Sierra 1500	01-06	GH31370	
	Yukon XL 2500	00-07	GH31370	
HONDA	Accord	85-89	GH20220	BR930010
	Accord		GH20060	BR930127
	Accord	86-89	GH20220	BR930010
	Accord	90-03	GH20240	
	Accord	90-03	GH20290	BR930167
	Accord	90-03	GH20620	BR930129
	Accord	98-02	GH20900	
	Accord	98-02	GH20910	
	Accord	98-02	GH21270	BR930383
	Accord	98-02	GH21290	BR930124
	Accord	98-02	GH21300	BR930121
	Accord	91-98	GH22120	
	Accord	90-03	GH20250	BR930120, 123
	Accord	90-03	GH20260	FW156
	Accord	90-03	GH20600	BR930071
	Accord	98-02	GH20920	
Civic	88-95	GH20220	BR930010	

BCA	Reference No.	ABS	Remark
513100	XF12-2C300BB		
513092	F6SZ-11-1-AA	O	
513193	1 201 300, 4 052 783, 4 506 244, YC152B663AE, 1C1J1K018AA	O	
		O	
512149		O	
513156			
515059			
515005	15679577 , 1569340		
515019			
515058			
515058			
513033	42200-SE0-004, 42200-SE0-008		
512034	42200-SR3-A02, 42200-ST3-E01,42200-SE0-J01, 42200-SE0-004, 42200-SE0-955		
513033	42200-SE0-004, 42200-SE0-008		
513079	42200-SM4-J03		
	42200-S84-A51	O	
512020	42200-SV1-J50	O	
512176			
512177		O	
512188		O	
513081		O	
512122			
	42200-SV4-N51	O	
513080	42200-SM4-008		
513098	44200-SM4-013		
512179	42200-S87-A51, 42200-S87-C51, 42200-S87-C52	O	
512178		O	
513033	42200-SE0-004, 42200-SE0-008		

GMB HUB Unit

Car	Model	Year	GMB No.	SKF
HONDA	Civic	89-01	GH20060	BR930127
	Civic	01-05	GH20140	BR930254
	Civic	88-91	GH20220	BR930010
	Civic	85-91	GH20230	BR930033
	Civic	92-00	GH20790	BR930113
	Civic	01-05	GH20890	BR930255
	Civic	94-01	GH22320	
	Concerto	89-95	GH20060	BR930127
	CR-V	97-01	GH20990	
	CR-V	07-10	GH32320	
	CRX	92-98	GH20060	BR930127
	CRX	92-98	GH20790	BR930113
	Jazz	03-07	GH20460	
	Prelude	96-00	GH22320	
	Prelude	01-09	GH21400	BR930079
	Prelude	96-00	GH22000	
	HUMMER	H2	03-07	GH31370
HYUNDAI	Accent	00-05	GH20180	BR930280
	Accent	97-99	GH20540	BR930175
	Accent	94-00	GH20660	
	Accent	94-00	GH20662	
	Accent	02-05	GH31585	
	Accent	06-09	GH20730	BR930281
	Accent	00-08	GH31580	
	Atoz	03-09	GH20320	
	Atoz	99-03	GH31580	
	Click	02-05	GH31580	
	Coupe	96-02	GH20520	
	Coupe	02-05	GH21200	
	Coupe	02-05	GH21310	BR930398
	Coupe	96-02	GH31580	

BCA	Reference No.	ABS	Remark
512034	42200-SR3-A02, 42200-ST3-E01, 42200-SE0-J01, 42200-SE0-004, 42200-SE0-955		
512174			
513033	42200-SE0-004, 42200-SE0-008		
513035	42200-S04-008		
513105	42200-S04-951, 42200-SR3-A52, 42200-SR3-A53		
512175	42200-S5A-008	O	
	42200-S30-C11	O	
512034	42200-SR3-A02, 42200-ST3-E01, 42200-SE0-J01, 42200-SE0-004, 42200-SE0-955		
512240			
	42200-STK-951	O	
512034	42200-SR3-A02, 42200-ST3-E01, 42200-SE0-J01, 42200-SE0-004, 42200-SE0-955		
513105	42200-S04-951, 42200-SR3-A52, 42200-SR3-A53		
	42200-SAA-E03	O	
	42200-S30-C11		
512144	42200-S30-C51	O	
512259	42200-S2X-J51	O	
515058			
512193	52710-25000, 52710-25001		
512165		O	
512027	52710-29400, 52710-22400	O	
	52710-22400		
	51750-1G100, 52750-1G000	O	
512192	52710-25100, 52710-25101	O	
	52750-1C000, 51720-02000		
	52710-02500		
	52750-1C000, 51720-02000		
	52750-1C000, 51720-02000		
512160	52710-29450	O	
512198	52710-2C005, 52710-2C001	O	
512198	52710-2C000	O	
	52750-1C000, 51720-02000		

GMB HUB Unit

Car	Model	Year	GMB No.	SKF
HYUNDAI	Elantra	90-00	GH20520	
	Elantra	00-03	GH21200	
	Elantra	00-03	GH21210	
	Elantra	00-03	GH21220	
	Elantra	00-03	GH21310	BR930398
	Elantra	07-09	GH31620	
	Matrix	01-05	GH21210	
	Matrix	01-05	GH21220	
	Santa Fe	01-05	GH20960	
	Santa Fe	01-05	GH20970	
	Sonata	05-06	GH20480	
	Sonata	88-98	GH20650	930275
	Sonata	01-04	GH20960	
	Sonata	99-05	GH30060	BR930283
	Sonata	96-04	GH30980	BR930282
	Tiburon	03-07	GH20980	
	Tucson	04-06	GH20960	
	XG	98-01	GH30970	
IZUSU	Rodeo	02-04	GH31630	BR930391
JAGUAR	S-Type	00-05	GH31110	
	X-Type	02-05	GH31110	
	XJ Series	00-05	GH31110	
JEEP	Cherokee	88-99	GH30170	BR930014
	Cherokee	99-02	GH30260	BR930219
	Cherokee	88-99	GH31090	BR930219
	Comanche, Wagoneer	84-89	GH10020	BR930040
	Grand Cherokee	99-04	GH10030	BR930335
	Liberty	02-03	GH31130	
KIA	Wagoneer	91-03	GH30170	BR930014
	Amanti	04-06	GH31590	
	Magentis	05-08	GH30970	

BCA	Reference No.	ABS	Remark
512160	52710-29450	O	
512198	52710-2C005, 52710-2C001	O	
512194	52710-2D000		
512195	52710-2D115, 52710-2D100	O	
512198	52710-2C000	O	
512340			
512194	52710-2D000		
512195	52710-2D115, 52710-2D100	O	
512196	52718-3A000, 52710-26500, 52710-26510	O	
512197			
	52710-33700, 52710-33701, 5271034501		
512026	52710-34700, 52710-34701	O	
512196	52718-3A000, 52710-26500, 52710-26510		
512191	52730-38000, 52730-38001, 52730-38002, 52730-38003, 52730-3C000		
512190	52730-38103	O	
512199			
512196	52718-3A000, 52710-26500, 52710-26510	O	
512189	52730-39000, 52730-39012	O	
513165	8-97209-965-2	O	
513169			
513169			
513169			
513084	53007449AB, 53007449		
513158	5016458		
513158	5016458		
513107	532000228		
513159	52098679		
513178			
513084	53007449AB, 53007449		
512286			
512189	52730-39000, 52730-39012	O	

GMB HUB Unit

Car	Model	Year	GMB No.	SKF
KIA	Magentis	05-08	GH30980	BR930282
	Rio	05-08	GH31580	
	Sephia	93-97	GH21250	BAFB-447306
	Sephia	93-97	GH21320	BR930165
	Shuma	97-04	GH21250	BAFB-447306
	Shuma	97-04	GH21320	BR930165
	Sportage	01-05	GH20960	
LINCOLN	Navigator	03-05	GH31290	
MAZDA	2	07-10	GH31810	VKBA3532
	3	03-07	GH31200	
	3	04-09	GH32410	
	3	03-07	GH32590	
	323	91-93	GH20210	BR930117
	B3000, B4000	98-99	GH30390	BR930341
	Mpv	96-98	GH22090	
	MX5	99-05	GH21020	
	MX5	99-05	GH21030	
	MX6	93-02	GH20090	BR930119
	Tribute	01-09	GH10250	
MINI	Cooper	04-07	GH32440	
	One	06-09	GH32440	
	Works	03-06	GH32440	
MITSUBISHI	3000 GT	92-99	GH21340	BR930170
	Carisma	95-06	GH20100	BR930271
	Carisma	95-06	GH20390	
	Carisma	95-06	GH21990	
	Colt	92-05	GH20100	BR930271
	Colt	92-05	GH21990	
	Diamante	90-94	GH20010	
	Diamante	90-94	GH20840	
	Eclipse	91-95	GH20650	930275

BCA	Reference No.	ABS	Remark
512190	52730-38103	O	
	52750-1C000, 51720-02000		
512200			
512200	OK20226150		
512200			
512200	OK20226150		
512196	52718-3A000, 52710-26500, 52710-26510, 52710-26530, 52710-26500	O	
515043			
	1 085 565, 1 135 043, 1 201 568		
513211	BP4K-33-15XA, BP4K-33-15XB	O	
512348			
	BP4K-26-15XD		
513030	B01C2615X, B455-26-15XA, DACF1041H		
515026	YS4Z-20-4CA, XL54-1104BA, F87Z-1104BB, F87A-1104BB(BC)		
513131	H431-33-15XA	O	
513152			
513155		O	
512119			
518515			
512304			
512304			
512304			
512039	MB633512		
512148	MB844919		
	93810034		
512185	MR223284		
512148	MB844919		
512185	MR223284		
512010	MB515400		
512011			
512026	MB663664	O	

GMB HUB Unit

Car	Model	Year	GMB No.	SKF
MITSUBISHI	Eclipse	91-95	GH20840	
	Eclipse	95-99	GH20930	
	Eclipse, Galant	97-03	GH30940	BR930172
	Galant	97-98	GH20270	BR930240
	Galant	85-93	GH20860	
	Grandis	04-11	GH32040	
	L 200	05-11	GH32490	
	Lancer	04-06	GH21010	
	Lancer	92-03	GH20100	BR930271
	Lancer	03-11	GH22160	
	Lancer	92-03	GH21990	
	Lancer	02-06	GH21000	
	Mirage	93-96	GH20050	
	Nimbus	98-04	GH30250	BR930214
	Pajero	00-01	GH31940	
	Pajero	00-01	GH31950	
	Sigma	90-96	GH20650	930275
	Space Runner	99-03	GH30250	BR930214
	NISSAN	Altima	02-05	GH31460
Altima		02-05	GH31660	BR930362
Caravan		09-10	GH20360	
Maxima		00-03	GH20200	512203
Qashqai		07-10	GH31960	
Qashqai		07-10	GH31970	
Quest		93-98	GH21360	BR930057
Sentra		91-99	GH10010	BR930134
Sentra		91-99	GH20350	
Stanza		90-92	GH20040	BR930106
Sunny		03-07	GH20462	
Tina		04-06	GH32010	
Xterra		06-11	GH31670	

BCA	Reference No.	ABS	Remark
512011			
512181			
512136	MB892408, MR103654		
513135	MR455003		
512158			
	MR594443	O	
	MR992374		
512277		O	
512148	MB844919		
	MR527452		
512185	MR223284		
512276		O	
512033			
513157	MB949047, MB949097, MR103664, MR334386, MR403970		
	MR418068		
	MR455620, MR594954, 3880A024, MN103586		
512026	MB663664	O	
513157	MB949047, MB949097, MR103664, MR334386, MR403970		
512201	43202-CN000	O	
512202	43202-3Z000		
	40210-VW000		
	43200-1L000, 43200-37U06, 43200-37U07		
	40202-JG000	O	
	43202 JG000	O	
512219	F7XZ-1109BA	O	
512025	432000M001		
	43202-4M400, 432024M400		
512016	43202-30R06, 43202-30R07, 43202-65E10, 43202-70N05, 43222-41B00		
	42200-SAA-G51	O	
	43202-ED51B	O	
515064	40202 EA000	O	

GMB HUB Unit

Car	Model	Year	GMB No.	SKF
NISSAN	Pathfinder	05-07	GH32620	
	Xterra	06-11	GH31680	BR930638
OLDS MOBILE	BravaDA	97-02	GH30670	BR930149
	BravaDA	97-02	GH30990	BR930064
	Eighty Eight	91-94	GH30580	BR930068
	Silhouette	97-00	GH30630	BR930097
	Silhouette	02-04	GH30670	BR930149
OPEL	Astra	98-02	GH30410	BAR-0049A
	Astra	98-02	GH30430	BAR-0042AB
	Astra	91-98	GH30890	BAR-0045B
	Astra	98-02	GH30900	BAR-0050AC
	Astra	98-02	GH30910	BAR-0049E
	Astra	91-98	GH31800	BAR-0029D
	Astra	98-02	GH31840	BAR-0066C
	Astra	04-07	GH31880	BAR-0094
	Astra	91-98	GH31830	BAR-0053C
	Corsa	06-09	GH21960	BAF 0119BX
	Corsa	05-06	GH22340	
	Meriva	03-10	GH31800	BAR-0029D
	Omega	86-94	GH21480	
	Senator	88-93	GH21480	
	Sintra	96-99	GH30480	BR930075
	Sintra	96-99	GH30620	
	Vectra	90-95	GH31800	BAR-0029D
	Vectra	00-03	GH31890	BAR-0084
	Vectra	03-07	GH32510	VKBA 6507
PEUGEOT	106	93-96	GH21620	
	106	93-96	GH21670	BAF4109C
	305	82-90	GH20310	BAFB444450
	306	97-05	GH21800	
	306	96-00	GH22540	BAF 4110 AB
	307	05-08	GH22380	BAF-0068D

BCA	Reference No.	ABS	Remark
541003			
515065	40202 EA300	O	
513179			
513061	747 0013		
513062	747 0542		
513124	12413045, 12413046		
513179			
	16 03 208		
	16 04 002, 16 04 301		
	09120128, 16 04 003, 16 04 302, 1604 306	O	
	16 03 211	O	
	16 03 209	O	
	16 04 004, 16 04 303, 16 04 307		
	16 04 005, 9120273,		
		O	
	16 03 210, 9117621		
		O	
	04 20 240	O	
	16 04 004, 16 04 303, 16 04 307		
	1603194	O	
	1603194	O	
512150	747 0611, 418026. 418259		
	747 0017, 12429204, 326064		
	16 04 004, 16 04 303, 16 04 307		
		O	
		O	
	3701.68		
	3701.67	O	
	3701.42, 954 961 46, 955 888 2680		
	3748.48 , 3748.38	O	
		O	

GMB HUB Unit

Car	Model	Year	GMB No.	SKF
PEUGEOT	405	87-92	GH20310	BAFB444450
	405	87-92	GH21810	BAFB446451AB
	407	04-09	GH22550	
	605	89-99	GH21560	BAF-0066E
	607	01-04	GH21550	BAF-0066C
	607	00-08	GH22550	
	807	06-09	GH22550	
	Partner	08-11	GH22480	BAF-0117A
PONTIAC	Aztek	03-05	GH30530	
	Aztek	01-05	GH31050	
	Bonneville	93-99	GH30580	BR930068
	Bonneville	93-99	GH30600	BR930076
	Bonneville	05-04	GH30670	BR930149
	Firebird	93-02	GH30610	BR930186
	G6	04-09	GH31480	
	Grand AM	99-05	GH30640	BR930080
	Grand Prix	03-06	GH30670	BR930149
	Grand Prix	03-06	GH31050	
	Grand Prix	03-04	GH31100	BR930184
	Torrent	06-09	GH31020	
	Torrent	06-09	GH31140	
	Vibe	03-04	GH31690	
RENAULT	Espace	91-96	GH21520	VKBA967
	Espace	91-96	GH21650	
	Espace	91-96	GH21660	VKBA968
	Espace	91-96	GH21770	VKBA3483
	Fuego	83-85	GH21970	VKBA968
	Laguna	93-01	GH21530	VKBA3469
	Laguna Grandtour	95-01	GH21590	VKBA3466
	Megane Grandtour	99-03	GH21690	VKBA3491
	Megane Grandtour	99-03	GH21970	VKBA968

BCA	Reference No.	ABS	Remark
	3701.42, 954 961 46, 955 888 2680		
	3748.82, 3748.86, 3748.87	O	
	3748.34	O	
	3748.69	O	
	3748.82, 3748.86, 3748.87	O	
	3748.82, 3748.86, 3748.87	O	
		O	
512215	42450-0101	O	
512237	96328248		
513062	747 0542		
513087	747 0511, 746 6976		
513179			
513090	743 3986		
512285	12413111	O	
513137	12413040		
513179			
512237	96328248		
513160	12413005		
512229			
513189			
512217			
	7704 002 262, 7704 000 263		
	7701 204 696	O	
	7701 204 667, 7700 803 928		
	60 25 171 136		
	77 04 002 263 77 00 803 928		
	7701 204 689	O	
	7701 204 866, 7701 204 867, 7701 205 477	O	
	7701 205 170	O	
	77 04 002 263, 77 00 803 928		

GMB HUB Unit

Car	Model	Year	GMB No.	SKF
RENAULT	Megane Grandtour	99-03	GH21980	
	Megane Scenic	97-99	GH21690	VKBA3491
	Safrane	92-00	GH21520	VKBA967
	Safrane	92-00	GH21660	VKBA968
	Safrane	96-00	GH22180	
	Scenic	99-03	GH21520	VKBA967
	Scenic	99-03	GH21660	VKBA968
ROVER	600	95-97	GH20250	BR930120, 123
	600	90-94	GH20260	FW156
	Cabriolet	92-99	GH20230	BR930033
SAAB	9-3	03-05	GH31160	
	9-3	03-05	GH32460	
SATURN	K-1500	95-99	GH31300	BR930406
	SC, SC1, SC2, SL, SL1, SW1, SW2	91-02	GH31000	
	SC, SC1, SC2, SL, SL1, SL2, SW1, SW2	91-02	GH30010	BR930053
	SC1	94-02	GH10240	BR930156K
	SC2	94-02	GH10240	BR930156K
	Sierra 1500	99-00	GH31350	
	Sierra 2500	99-05	GH31370	BR930416
	SL	94-02	GH10240	BR930156K
	SL1	94-02	GH10240	BR930156K
	SL2	94-02	GH10240	BR930156K
	SW1	94-01	GH10240	BR930156K
	SW2	94-01	GH10240	BR930156K
	Vue	02-07	GH31020	
	Vue	02-07	GH31140	
	Yukon	00-05	GH31340	BR930417
SEAT	Inca	04-08	GH21430	VKBA3570
	Ronda	82-86	GH22150	
SMART	City-Coupe	98-04	GH22220	BAR-0051
	Roadster	03-06	GH22220	BAR-0051

BCA	Reference No.	ABS	Remark
	TGB 12095 S50	O	
	7701 205 170	O	
	7704 002 262, 7704 000 263		
	7701 204 667, 7700 803 928		
	7700 803 924	O	
	7704 002 262, 7704 000 263		
	7701 204 667, 7700 803 928		
513080	GHK1483, RFM001483EVA		
513098	44200-SM4-013		
513035	42200-S04-008		
513191			
513191		O	
515048	15991990		
512002			
512000	21011095		
518514	2101954		
518514	2101954		
515054	15037207		
515058	89059059		
518514	2101954		
518514	2101954		
518514	2101954		
518514	2101954		
518514	2101954		
518514	2101954		
512229			
513189			
515053	15052444		
	6K9501477	O	
	0002072 V010 0000 00		
	0002072 V010 0000 00		

GMB HUB Unit

Car	Model	Year	GMB No.	SKF
SUBARU	Impreza	90-96	GH20070	
	Legacy	00-04	GH20940	
OTOKAR	Deutz Midibus	05-08	GH22250	
SUZUKI	Aerio, Esteem	92-02	GH20530	BR930160
	Swift	05-09	GH20400	
TOYOTA	4Runner	84-89	GH21380	
	Auris	07-10	GH32160	
	Auris	06-09	GH31930	
	Avalon	00-04	GH31530	
	Avalon, Camry, Solara	87-91	GH31740	BR930371
	Caldina	92-97	GH21390	BR930202
	Camry	83-91	GH10190	BR930200K
	Camry	86-01	GH21370	BR930201
	Camry	90-01	GH30920	GRW168
	Camry	87-91	GH31700	BR930267
	Camry	87-91	GH31710	BR930266
	Camry	87-91	GH31720	BR930232
	Camry	87-91	GH22140	
	Camry	92-01	GH31530	
	Camry	92-03	GH10200	BR930303
	Celica	00-06	GH30080	
	Corolla	93-02	GH10100	BR930300K
	Corolla	04-08	GH21420	
	Corolla	87-02	GH30020	BR930336
	Corolla	93-95	GH30930	BR930436K
	Corolla	05-08	GH31910	
	Corolla	93-02	GH32500	
	Corolla	02-05	GH32580	
Corolla	02-05	GH32585		
Matrix	03-05	GH30550	BR930329	
Matrix	03-06	GH31690	BR930324	

BCA	Reference No.	ABS	Remark
512036			
512183			
	HUR 056	O	
512241			
	43402-64B01		
515040	43502-35210	O	
	42450-12090	O	
	43550-02010	O	
512310	42450-07010	O	
512311			
512137	42450-20051		
518506	43502-32050		
512009	42409-33010, 42409-06010, 42409-32010, 42409-33020		
512009	42409-33010	O	
512206		O	
512207		O	
512208			
	30BWK10G		
512310	42450-07010		
518508			
512216	42410-20190		
518507	43502-12110, 4350212090		
	42409-12020, 42409-19015		
512018	42409-19015		
512019	42450-02010	O	
	42540-12100	O	
	3DACF026F-10	O	
	3DACF026F-7A		
	3DACF026F-7AS	O	
512218	88970097, 42410-01020		
512217			

GMB HUB Unit

Car	Model	Year	GMB No.	SKF
TOYOTA	Prius	03-06	GH32430	
	RAV 4 II	01-04	GH31730	BR930295
	RAV4	01-04	GH31760	BR930296
	Sienna	95-03	GH31770	BR930339
	Sienna	04-06	GH31750	
	Sienna, Camry, LX470	95-03	GH10210	BR930320
	Solara	99-03	GH31530	
	Yaris	99-03	GH30940	BR930172
	Yaris	99-03	GH30520	
	Yaris	99-03	GH32560	
	Yaris	99-03	GH32565	
	Yaris	99-03	GH30070	
VOLVO	S70	97-00	GH21470	BAF-0037D
	C70	97-05	GH21470	BAF-0037D
	850	91-96	GH21470	BAF-0037D
	C30	06-09	GH21190	
	S40	04-07	GH21190	
	V50	04-08	GH21190	
	S40	04-07	GH22390	BAF-4093 AA
	850	91-97	GH31120	
	XC70, V70, S80, S60	99-04	GH31430	
	V90, S90, 965, 964	95-98	GH31440	
	S70	96-00	GH32400	
	C70	97-05	GH32400	
	V70	97-00	GH32400	
	XC90	03-06	GH32450	BAR-0096 AB
VW	Beetle	06-07	GH20030	BR930108
	Caddy	04-08	GH21430	VKBA3570
	Golf	99-05	GH20030	BR930108
	Golf	07-10	GH21930	VKBA3644
	Golf	07-10	GH22530	BAF0103D

BCA	Reference No.	ABS	Remark
513265	43510-47010		
512213	42410-42020		
512212		O	
512041		O	
512280		O	
518509			
512310	42450-07010		
512136	42410-52020, 42410-52021, 42410-0D030	O	
512209	42450-52020 42450-52021	O	
	3DACF026F-24H(H81000)		
	3DACF026F-24HS(H80900)	O	
512210	42410-52020		
	271795, 0271795, 271795-7	O	
	271795, 0271795, 271795-7	O	
	271795, 0271795, 271795-7	O	
	30683161, 30714492, 30714730, 30730828		
	30683161, 30714492, 30714730, 30730828		
	30683161, 30714492, 30714730, 30730828		
513174			
513194			
512234			
513175	272456		
513175	272456		
513175	272456		
513208			
512012	1J0501477A	O	
	6K9501477	O	
512012	1J0501477A	O	
	713610620	O	

GMB HUB Unit

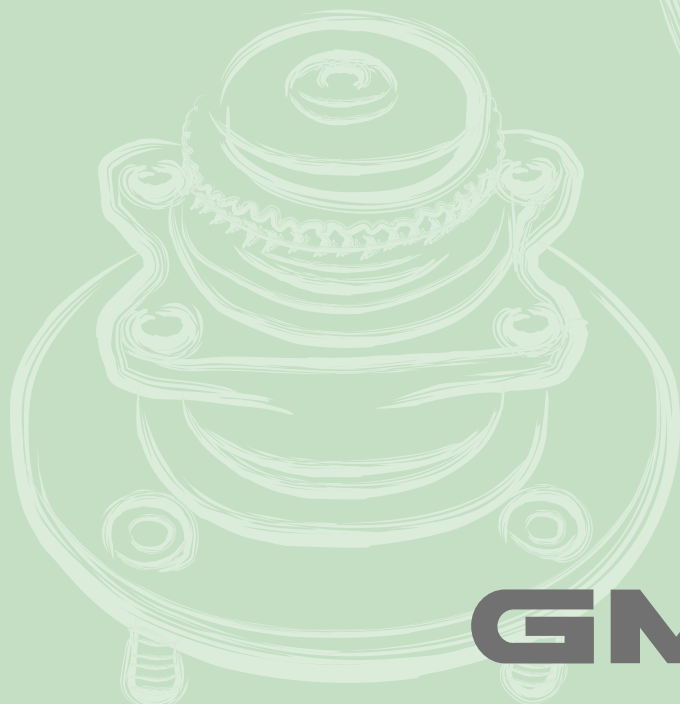
Car	Model	Year	GMB No.	SKF
VW	Golf	05-08	GH31920	VKBA 6556
	Jetta	00-06	GH20030	BR930108
	Multivan	03-09	GH10280	VKBA3646
	Passat	96-00	GH30400	
	Passat	98-05	GH20950	
	Passat	96-00	GH31560	BAR-0088
	Polo	96-01	GH22360	BAF-0058
	Polo	03-06	GH32470	
	Polo	02-08	GH21450	VKBA3567
	Touareg	03-10	GH10280	VKBA3646

Items

BCA	Reference No.	ABS	Remark
		O	
512012	1J0501477A	O	
	7L0 498 611	O	
	8E0 501 611, 8E0 501 611 J	O	
512187	8E0 501 611F	O	
513253		O	
	6Q0407621AJ	O	
	6Q0 598 611		
	7L0 498 611	O	

PART 4

· Cross Reference(GMB → OE)



GMB

GMB Cross Reference(GMB → OE)

GMB No.	Car	Reference No.	SKF	BCA
GH10010	NISSAN	432000M001	BR930134	512025
GH10020	JEEP	532000228	BR930040	513107
GH10030	JEEP	52098679	BR930335	513159
GH10050	FORD	F29-1104-BA	BR930116	515000
GH10060	DODGE	52008220	BR930256	515006
GH10070	CHRYSLER	5212521	BR930000	518500
GH10080	CITROEN	3748.17, 95654078	BR930002	518502
GH10090	FORD	F5RZ-1104	BR930153K	518503
GH10100	TOYOTA	43502-12110, 4350212090	BR930300K	518507
GH10160	DODGE			515032
GH10170	DODGE			515033
GH10180	DODGE	5212-545, NA	BR930001	518501
GH10190	TOYOTA	43502-32050	BR930200K	518506
GH10200	TOYOTA		BR930303	518508
GH10210	TOYOTA		BR930320	518509
GH10220	FORD	YS4Z-1215-BB	BR930263K	518510
GH10230	CHRYSLER	4670287	BR930182K	518512
GH10240	SATURN	2101954	BR930156K	518514
GH10250	FORD, MAZDA			518515
GH10260	FORD	F3DC-1104-AA	BR930152K	520100
GH10270	FORD	3L2Z-1109-AA	BR930259	521000
GH10280	VW	7L0 498 611	VKBA3646	
GH20010	MITSUBISHI	MB515400		512010
GH20030	AUDI, VW	J0 598 477	BR930108	512012
GH20040	NISSAN	43202-30R06, 3202-30R07, 43202-65E10, 43202-70N05, 43222-41B00	BR930106	512016
GH20050	MITSUBISHI			512033
GH20060	HONDA	42200-SR3-A02, 42200-ST3-E01, 42200-SE0-J01, 42200-SE0-004, 42200-SE0-955	BR930127	512034
GH20070	SUBARU			512036
GH20080	FORD	F0DC-1104A	BR930106	512106
GH20090	MAZDA		BR930119	512119

GMB No.	Car	Reference No.	SKF	BCA
GH20100	MITSUBISHI	MB844919	BR930271	512148
GH20110	CHRYSLER	4616477,4616477AB	BR930194	512154
GH20140	HONDA		BR930254	512174
GH20180	HYUNDAI	52710-25000, 52710-25001	BR930280	512193
GH20200	NISSAN	43200-1L000, 43200-37U06, 43200-37U07		512203
GH20210	MAZDA	B01C2615X, B455-26-15XA, DACF1041H	BR930117	513030
GH20220	HONDA	42200-SE0-004, 42200-SE0-008	BR930010	513033
GH20230	HONDA, ROVER	42200-S04-008	BR930033	513035
GH20240	HONDA	42200-SM4-J03		513079
GH20250	HONDA, ROVER	42200-SM4-008	BR930120, 123	513080
GH20260	HONDA, ROVER	44200-SM4-013	FW156	513098
GH20270	MITSUBISHI	MR455003	BR930240	513135
GH20290	HONDA	42200-S84-A51	BR930167	
GH20310	CITROEN, PEUGEOT	3701.42, 954 961 46, 95619162	BAFB444450	
GH20320	HYUNDAI	52710-02500		
GH20350	NISSAN	43202-4M400, 432024M400		
GH20360	NISSAN	40210-VW000		
GH20390	MITSUBISHI	93810034		
GH20400	SUZUKI	43402-64B01		
GH20420	ACURA		BR930136	512172
GH20460	HONDA	42200-SAA-E03		
GH20462	NISSAN	42200-SAA-G51		
GH20480	HYUNDAI	52710-33700, 52710-33701, 5271034501		
GH20520	HYUNDAI	52710-29450		512160
GH20530	SUZUKI		BR930160	512241
GH20540	HYUNDAI		BR930175	512165
GH20550	CHRYSLER	4509 767,4509766	BR930173	512167
GH20560	CHRYSLER		BR930230	512168
GH20600	HONDA	42200-S87-A51, 42200-S87-C51, 42200-S87-C52	BR930071	512179
GH20620	HONDA	42200-SV1-J50	BR930129	512020

GMB Cross Reference(GMB → OE)

GMB No.	Car	Reference No.	SKF	BCA
GH20630	CHRYSLER	4509600	BR930196	512023
GH20640	FORD	5027622	BR930150	512024
GH20650	HYUNDAI,MITSUBISHI	52710-34700, 52710-34701	930275	512026
GH20660	HYUNDAI	52710-29400, 52710-22400		512027
GH20662	HYUNDAI	52710-22400		
GH20670	CHRYSLER	4,582,204,779,011	BR930189	512029
GH20680	FORD	F3DC-2B664AB, 1F1Z-1104AA	BR930107	512107
GH20700	CHRYSLER	4616263	BR930176	512133
GH20710	FORD			512149
GH20730	HYUNDAI	52710-25100, 52710-25101	BR930281	512192
GH20760	CHRYSLER			512220
GH20770	FORD	F6SZ-11-1-AA	BR930048	513092
GH20780	FORD	F2AC-2B633AA	BR930060	513104
GH20790	HONDA	42200-S04-951, 42200-SR3-A52, 42200-SR3-A53	BR930113	513105
GH20800	FORD	1R3Z-1104BA, 1R33-2B633AA1R3	BR930250	513115
GH20810	BMW	31 22 1 139 345, 1138644	BR930161	513125
GH20830	FORD	F8AZ-1104BA	BR930168	513202
GH20840	MITSUBISHI			512011
GH20850	FORD			512118
GH20860	MITSUBISHI			512158
GH20870	FORD			512161
GH20880	FORD		BR930366	512163
GH20890	HONDA	42200-S5A-008	BR930255	512175
GH20900	HONDA			512176
GH20910	HONDA			512177
GH20920	HONDA			512178
GH20930	MITSUBISHI			512181
GH20940	SUBARU			512183
GH20950	VW	8E0 501 611F		512187
GH20960	HYUNDAI, KIA	52718-3A000, 52710-26500, 52710-26510		512196
GH20970	HYUNDAI			512197

GMB No.	Car	Reference No.	SKF	BCA
GH20980	HYUNDAI			512199
GH20990	HONDA			512240
GH21000	MITSUBISHI			512276
GH21010	MITSUBISHI			512277
GH21020	MAZDA			513152
GH21030	MAZDA			513155
GH21040				
FORD	1 201 300, 4 052 783, 4 506 244, YC152B663AE, 1C1J1K018AA			
BR930308				
513193				
GH21160	FORD		BTF-1125B	
GH21170	FORD		BTF 1210	
GH21190	FORD, VOLVO	1223640, 1326487, 1336139		
GH21200	HYUNDAI	52710-2C005, 52710-2C001		512198
GH21210	HYUNDAI	52710-2D000		512194
GH21220	HYUNDAI	52710-2D115, 52710-2D100		512195
GH21230	FORD		BTF-1209	
GH21240	BMW			513096
GH21250	KIA		BAFB-447306	512200
GH21260	DAEWOO	96219450, 96219474		512159
GH21270	ACURA, HONDA		BR930383	512188
GH21290	HONDA		BR930124	513081
GH21300	HONDA		BR930121	512122
GH21310	HYUNDAI	52710-2C000	BR930398	512198
GH21320	KIA	OK20226150	BR930165	512200
GH21340	MITSUBISHI	MB633512	BR930170	512039
GH21360	NISSAN	F7XZ-1109BA	BR930057	512219
GH21370	TOYOTA	42409-33010, 42409-06010, 42409-32010, 42409-33020	BR930201	512009
GH21380	TOYOTA	43502-35210		515040

GMB Cross Reference(GMB → OE)

GMB No.	Car	Reference No.	SKF	BCA
GH21390	TOYOTA	42450-20051	BR930202	512137
GH21400	HONDA	42200-S30-C51	BR930079	512144
GH21420	TOYOTA	42409-12020, 42409-19015		
GH21430	SEAT, VW	6K9501477	VKBA3570	
GH21450	AUDI, VW	6Q0 598 611	VKBA3567	
GH21460	BMW	33 41 1 095 652, 33 41 1 093 102, 33 41 1 095 654, 33 41 1 093 725		
GH21470	VOLVO	271795, 0271795, 271795-7	BAF-0037D	
GH21480	OPEL	1603194		
GH21520	RENAULT	7704 002 262, 7704 000 263	VKBA967	
GH21530	RENAULT	7701 204 689	VKBA3469	
GH21550	PEUGEOT	3748.69	BAF-0066C	
GH21560	PEUGEOT	3748.34	BAF-0066E	
GH21570	CITROEN	3748.33, 3307.61	BAF-0066D	
GH21590	RENAULT	7701 204 866, 7701 204 867, 7701 205 477	VKBA3466	
GH21620	PEUGEOT	3701.68		
GH21630	AUDI	8E0598611A	BR930445	
GH21650	RENAULT	7701 204 696		
GH21660	RENAULT	7701 204 667, 7700 803 928	VKBA968	
GH21670	PEUGEOT	3701.67	BAF4109C	
GH21680	CITROEN	95 666 965		
GH21690	RENAULT	7701 205 170	VKBA3491	
GH21720	ALFA ROMEO, FIAT	775 0120, 608 064 40, 608 121 95		
GH21730	FIAT	7599461, 3981594, 4344535, 4379767, 5948422	BAFB633622E	
GH21740	BMW	31 22 1 139 345, 31 22 6 757 024, 6757024	BAFB447318B	
GH21750	BMW	31 21 1 124 439, 31 21 1 124 440, 31 21 1 124 441, 31 21 1 126 478, 31 21 1 129 730, 31 21 1 130 530, 31 21 1 131 298	BAFB446389A	
GH21770	RENAULT	60 25 171 136	VKBA3483	
GH21800	CITROEN, PEUGEOT	3748.48 , 3748.38, 3748.72		
GH21810	PEUGEOT		BAFB446451AB	
GH21930	VW	713610620	VKBA3644	

GMB No.	Car	Reference No.	SKF	BCA
GH21940	AUDI	4D0 407 625 H, 4D0 407 625 D	BAF 0125 A	512305
GH21950	FORD		BAF 0135 A	
GH21960	OPEL		BAF 0119BX	
GH21970	RENAULT	77 04 002 263 77 00 803 928	VKBA968	
GH21980	RENAULT	TGB 12095 S50		
GH21990	MITSUBISHI	MR223284		512185
GH22000	HONDA	42200-S2X-J51		512259
GH22090	MAZDA	H431-33-15XA		513131
GH22120	HONDA	42200-SV4-N51		
GH22140	TOYOTA	30BWK10G		
GH22150	ALFA ROMEO, SEAT	TGB40490		
GH22160	MITSUBISHI	MR527452		
GH22180	RENAULT	7700 803 924		
GH22220	SMART	0002072 V010 0000 00	BAR-0051	
GH22250	OTOKAR	HUR 056		
GH22320	HONDA	42200-S30-C11		
GH22340	OPEL	04 20 240		
GH22360	VW		BAF-0058	
GH22380	PEUGEOT		BAF-0068D	
GH22390	VOLVO		BAF-4093 AA	
GH22400	FIAT	41459 S01P		
GH22480	PEUGEOT		BAF-0117A	
GH22500	ALFA ROMEO	606 520 14	BAF0049	
GH22510	ALFA ROMEO	606 527 20	BAF0052	
GH22530	VW		BAF0103D	
GH22540	CITROEN, PEUGEOT		BAF-4110 C	
GH22550	PEUGEOT	3748.82, 3748.86, 3748.87		
GH30010	SATURN	21011095	BR930053	512000
GH30020	CHEVROLET, TOYOTA	746 6994, 42410-02020, 42410-12090	BR930336	512018
GH30060	DODGE			512170
GH30060	HYUNDAI	52730-38000, 52730-38001, 52730-38002, 52730-38003, 52730-3C000	BR930283	512191

GMB Cross Reference(GMB → OE)

GMB No.	Car	Reference No.	SKF	BCA
GH30070	TOYOTA	42410-52020		512210
GH30080	TOYOTA	42410-20190		512216
GH30090	CADILLAC	747 0560	BR930093	513012
GH30100	BUICK	746 6942, 746 6920	BR930052K	513013
GH30110	BUICK	747 0504, 746 7132	BR930026	513018
GH30120	CHEVROLET	746 6924	BR930024	513020
GH30130	BUICK, CHEVROLET	747 0518, 746 7140	BR930083K	513044
GH30140	BUICK, CADILLAC	747 0586, 746 6961	BR930061	513059
GH30150	CHRYSLER	5241068, 4641732, 4504039	BR930021K	513074
GH30160	CHRYSLER	7466981	BR930013	513075
GH30170	JEEP	53007449AB, 53007449	BR930014	513084
GH30180	BUICK	746 6977, 747 0553	BR930077	513088
GH30190	CHRYSLER	4593450AA, 4728867, 04728867	BR930190K	513089
GH30200	FORD	XF12-2C300BB	BR930179	513100
GH30210	CHRYSLER	4641516	BR930216	513122
GH30220	CHRYSLER	4641517	BR930215	513123
GH30230	CHRYSLER	4593777, 4593462	BR930138	513138
GH30240	FORD			513156
GH30250	CHRYSLER, MITSUBISHI	MB949047, MB949097, MR103664, MR334386, MR403970	BR930214	513157
GH30260	JEEP	5016458	BR930219	513158
GH30270	BMW		BR930144	513172
GH30290	BUICK, CADILLAC, CHEVROLET	747 0014, 746 6997, 746 6825	BR930028K	513017K
GH30330	CHEVROLET	15693437, 15564906	BR930094	515001
GH30340	CHEVROLET	12541129	BR930035	515002
GH30350	DODGE	52069361AB	BR930207	515007
GH30360	DODGE	5010-020AA	BR930405	515012
GH30370	FORD	F65Z-1104BA	BR930218	515017
GH30380	FORD	F81Z-1104-CE	BR930424	515021
GH30390	FORD, MAZDA	YS4Z-20-4CA,XL54-1104BA F87Z- 1104BB,F87A-1104BB(BC)	BR930341	515026
GH30400	AUDI, VW	8E0 501 611, 8E0 501 611 J		

GMB No.	Car	Reference No.	SKF	BCA
GH30410	OPEL	16 03 208	BAR-0049A	
GH30430	OPEL	16 04 002, 16 04 301	BAR-0042AB	
GH30440	CHEVROLET	747 0509, 747 0523, 746 6970 747 0597	BR930070	512001
GH30450	CHEVROLET	7467119, 7470555		512003
GH30460	CHEVROLET	746 7113, 746 7133, 747 0545	BR930096	512004
GH30470	BUICK	747 0549	BR930078	512078
GH30480	OPEL	747 0611, 418026. 418259	BR930075	512150
GH30490	CHEVROLET	747 0610	BR930145	512151
GH30500	CHEVROLET		BR930098	512152
GH30520	TOYOTA	42450-52020 42450-52021		512209
GH30530	PONTIAC	42450-0101		512215
GH30550	TOYOTA	88970097, 42410-01020	BR930329	512218
GH30570	BUICK		BR930087	513042
GH30580	BUICK, OLDS MOBILE, PONTIAC	747 0542	BR930068	513062
GH30600	PONTIAC	747 0511, 746 6976	BR930076	513087
GH30610	PONTIAC	743 3986	BR930186	513090
GH30620	OPEL	747 0017, 12429204, 326064		
GH30630	OLDS MOBILE	12413045, 12413046	BR930097	513124
GH30640	CHEVROLET, PONTIAC	12413040	BR930080	513137
GH30670	BUICK, CADILLAC, OLDS MOBILE		BR930149	513179
GH30680	BUICK		BR930548K	513187
GH30690	BUICK		BR930397	513188
GH30700	FORD		BR930306	513196
GH30710	CHEVROLET			513200
GH30720	FORD	F87Z-1104CA, F67A-1125BA	BR930252	515003
GH30730	FORD	F75W-1104CA	BR930208	515004
GH30740	GMC	15679577, 1569340	BR930265	515005
GH30750	DODGE	52068965AB	BR930204	515008
GH30760	FORD	XL3Z-1104AD	BR930208	515010
GH30770	FORD	YL5Z-1104-AA	BR930343	515013

GMB Cross Reference(GMB → OE)

GMB No.	Car	Reference No.	SKF	BCA
GH30780	GMC		BR930209	515019
GH30790	FORD		BR930420	515020
GH30800	CHEVROLET	15997071	BR930346	515024
GH30810	FORD	F81Z-1104-CH	BR930421	515025
GH30820	FORD		BR930342	515027
GH30830	FORD	YL3Z-1104-AA	BR930423	515029
GH30840	FORD		BR930236	515031
GH30850	CADILLAC, CHEVROLET	15112382	BR930304	515036
GH30860	DODGE		BR930305	515038
GH30870	DODGE		BR930409	515039
GH30880	CHEVROLET		BR930406	515041
GH30890	OPEL	09120128, 16 04 003, 16 04 302, 1604 306	BAR-0045B	
GH30900	OPEL	16 03 211	BAR-0050AC	
GH30910	OPEL	16 03 209	BAR-0049E	
GH30920	TOYOTA	42409-33010	GRW168	512009
GH30930	TOYOTA	42450-02010	BR930436K	512019
GH30940	mitsubishi, TOYOTA	MB892408, MR103654, 42410- 52020, 42410-52021, 42410-0D030	BR930172	512136
GH30950	CHRYSLER	4721513, 4683513	BR930069	512155
GH30960	CHRYSLER	4721514, 4683514, 4721515	BR930067	512156
GH30970	HYUNDAI, KIA	52730-39000, 52730-39012		512189
GH30980	HYUNDAI, KIA	52730-38103	BR930282	512190
GH30990	OLDS MOBILE	747 0013	BR930064	513061
GH31000	SATURN			512002
GH31010	CHRYSLER		BR930278	512169
GH31020	CHEVROLET, PONTIAC, SATURN	22702690	BR930328	512229
GH31050	PONTIAC	96328248		512237
GH31090	JEEP	5016458	BR930219	513158
GH31100	PONTIAC	12413005	BR930184	513160
GH31110	JAGUAR			513169

GMB No.	Car	Reference No.	SKF	BCA
GH31120	VOLVO			513174
GH31130	JEEP			513178
GH31140	CHEVROLET, PONTIAC, SATURN			513189
GH31160	SAAB			513191
GH31170	BUICK			513199
GH31190	CHEVROLET			513205
GH31200	MAZDA	BP4K-33-15XA, BP4K-33-15XB		513211
GH31210	CHEVROLET		BR930317	513214
GH31220	CHEVROLET		BR930314	513215
GH31230	DODGE	52068964AB	BR930205	515009
GH31240	FORD		BR930344	515014
GH31250	CHEVROLET			515018
GH31260	CHRYSLER	52069880AA	BR930410	515023
GH31270	FORD		BR930342	515027
GH31280	FORD			515042
GH31290	LINCOLN			515043
GH31300	SATURN	15991990	BR930406	515048
GH31310	CHRYSLER	52069881AA	BR930415	515049
GH31320	FORD			515050
GH31330	CHEVROLET		BR930452	515052
GH31340	SATURN	15052444	BR930417	515053
GH31350	CHEVROLET, SATURN	15037207		515054
GH31360	FORD		BR930438	515056
GH31370	CHEVROLET, GMC, HUMMER, SATURN	89059059	BR930416	515058
GH31380	CHEVROLET, GMC			515059
GH31390	DODGE			515062
GH31400	DODGE			515063
GH31410	DODGE			515070
GH31420	DODGE			515072
GH31430	VOLVO			513194

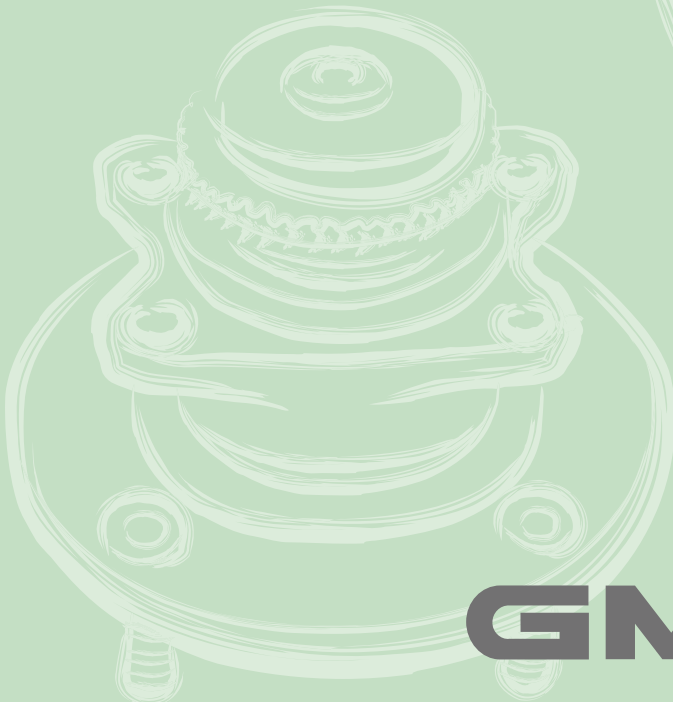
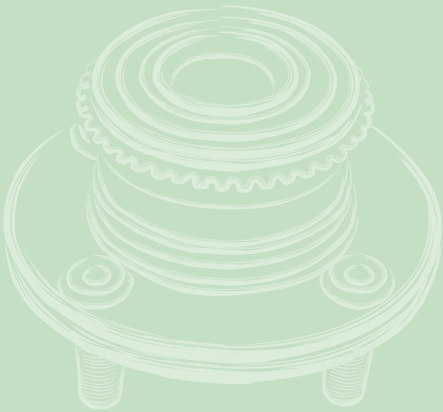
GMB Cross Reference(GMB → OE)

GMB No.	Car	Reference No.	SKF	BCA
GH31440	VOLVO			512234
GH31450	CADILLAC			512006
GH31460	NISSAN	43202-CN000		512201
GH31480	CHEVROLET, PONTIAC, CHEVROLET	12413111		512285
GH31490	CHEVROLET	12413117		512287
GH31500	DODGE			515073
GH31510	FORD			515030
GH31520	CHRYSLER			512157
GH31530	TOYOTA	42450-07010		512310
GH31540	DODGE			513109
GH31550	DODGE			515061
GH31560	VW		BAR-0088	513253
GH31570	FORD	7M51 2C299 AC		
GH31580	HYUNDAI, KIA	52750-1C000, 51720-02000		
GH31585	HYUNDAI	51750-1G100, 52750-1G000		
GH31590	KIA			512286
GH31620	HYUNDAI			512340
GH31630	IZUSU	8-97209-965-2	BR930391	513165
GH31660	NISSAN	43202-3Z000	BR930362	512202
GH31670	NISSAN	40202 EA000		515064
GH31680	NISSAN	40202 EA300	BR930638	515065
GH31690	PONTIAC, TOYOTA			512217
GH31700	TOYOTA		BR930267	512206
GH31710	TOYOTA		BR930266	512207
GH31720	TOYOTA		BR930232	512208
GH31730	TOYOTA	42410-42020	BR930295	512213
GH31740	TOYOTA		BR930371	512311
GH31750	TOYOTA			512280
GH31760	TOYOTA		BR930296	512212
GH31770	TOYOTA		BR930339	512041

GMB No.	Car	Reference No.	SKF	BCA
GH31780	ACURA	42200-SNA-A52		512256
GH31800	OPEL	16 04 004, 16 04 303, 16 04 307	BAR-0029D	
GH31810	FORD, MAZDA	1 085 565, 1 135 043, 1 201 568	VKBA3532	
GH31820	FIAT	4400918, 58 909 94, 59 630 34, 71 747 857		
GH31830	OPEL	16 03 210, 9117621	BAR-0053C	
GH31840	OPEL	16 04 005, 9120273,	BAR-0066C	
GH31850	FORD	1146689, 1115019	BAR-0078D	
GH31880	OPEL		BAR-0094	
GH31890	OPEL		BAR-0084	
GH31910	TOYOTA	42540-12100		
GH31920	VW		VKBA 6556	
GH31930	TOYOTA	43550-02010		
GH31940	MITSUBISHI	MR418068		
GH31950	MITSUBISHI	MR455620, MR594954, 3880A024, MN103586		
GH31960	NISSAN	40202-JG000		
GH31970	NISSAN	43202 JG000		
GH32010	NISSAN	43202-ED51B		
GH32040	MITSUBISHI	MR594443		
GH32160	TOYOTA	42450-12090		
GH32320	HONDA	42200-STK-951		
GH32400	VOLVO	272456		513175
GH32410	MAZDA			512348
GH32430	TOYOTA	43510-47010		513265
GH32440	MINI			512304
GH32450	VOLVO		BAR-0096 AB	513208
GH32460	SAAB			513191
GH32470	AUDI, VW	6Q0407621AJ		
GH32490	MITSUBISHI	MR992374		
GH32500	TOYOTA	3DACF026F-10		
GH32510	OPEL		VKBA 6507	

PART 5

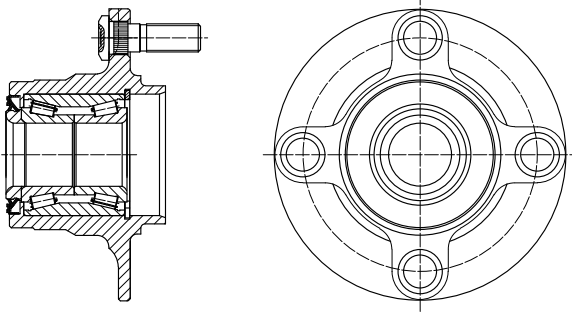
- HUB Unit Drawing



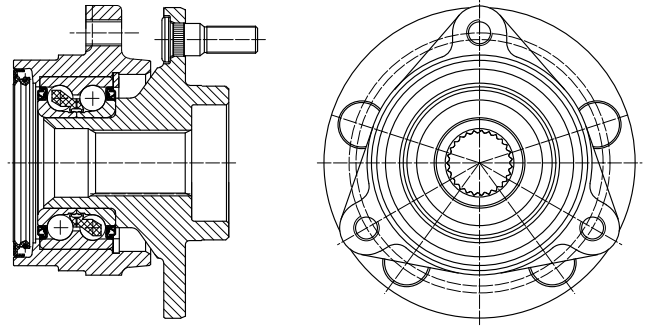
GMB

GMB HUB Unit Drawing

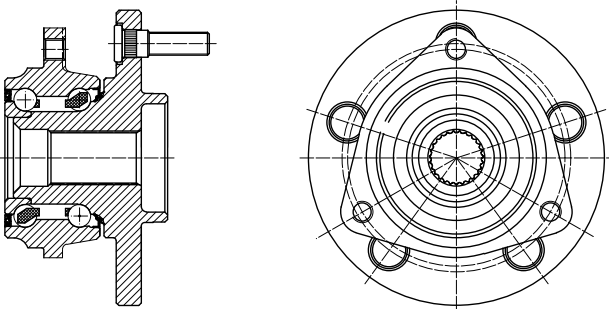
GH10010



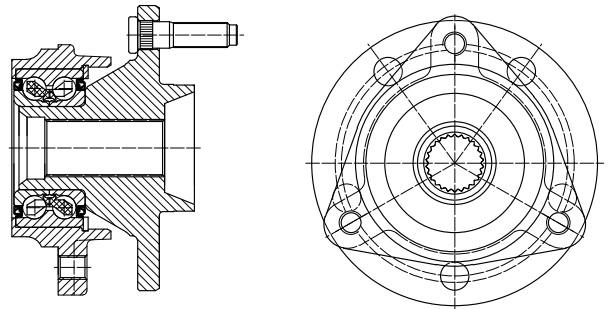
GH10020



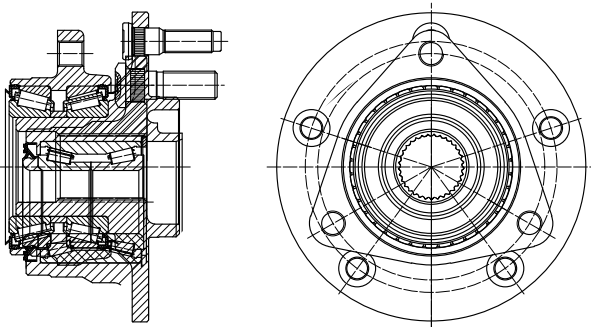
GH10030



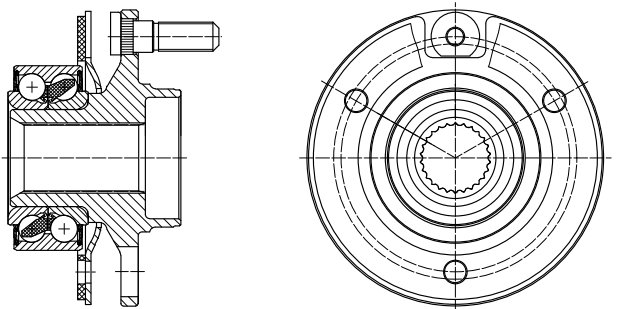
GH10050



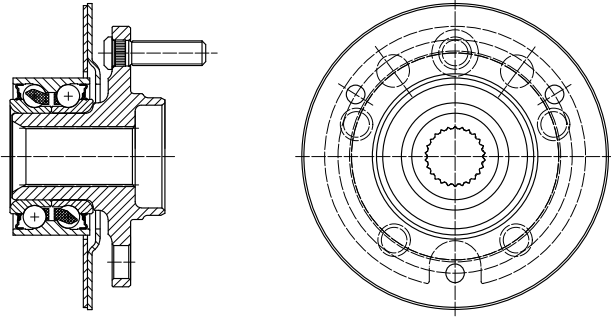
GH10060



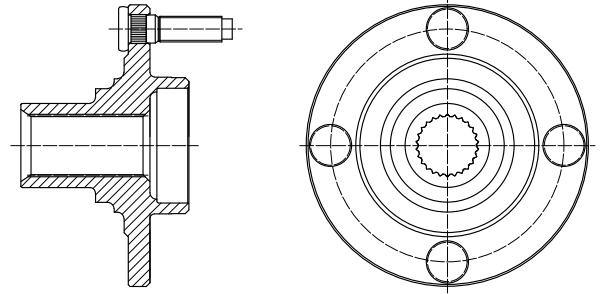
GH10070



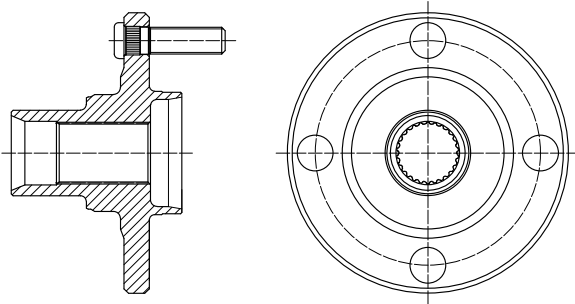
GH10080



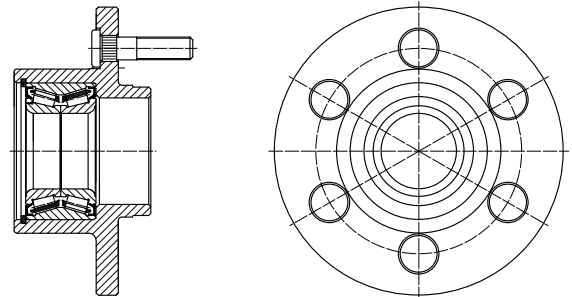
GH10090



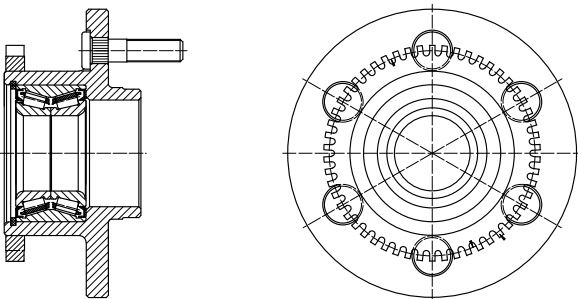
GH10100



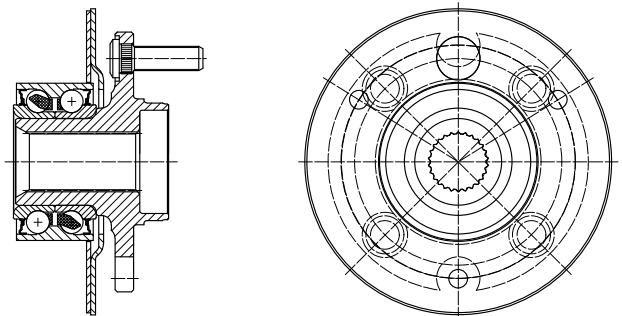
GH10160



GH10170

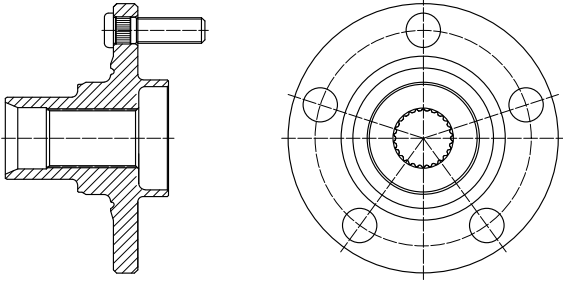


GH10180

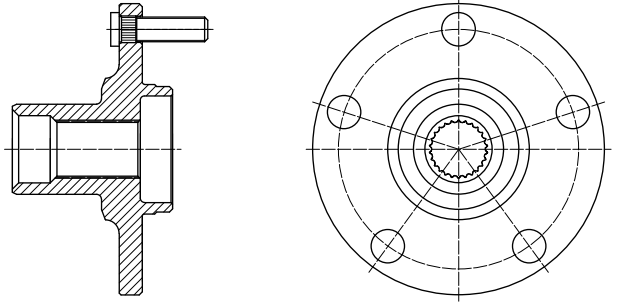


GMB HUB Unit Drawing

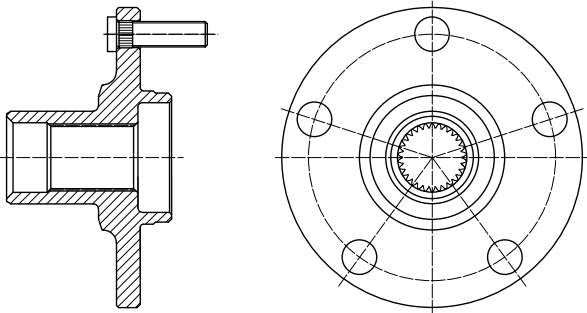
GH10190



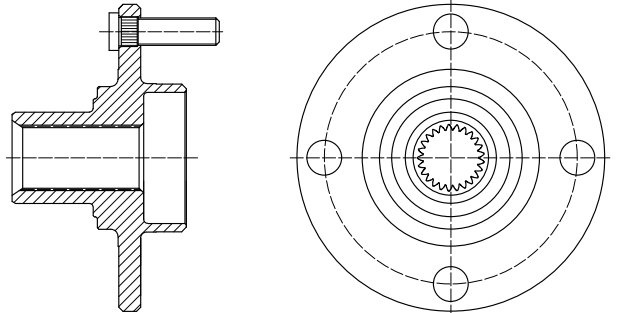
GH10200



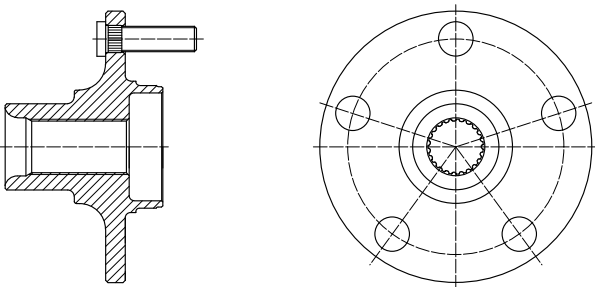
GH10210



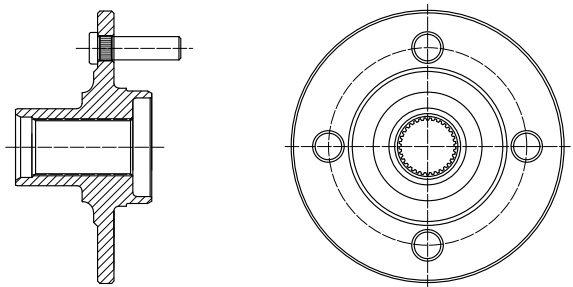
GH10220



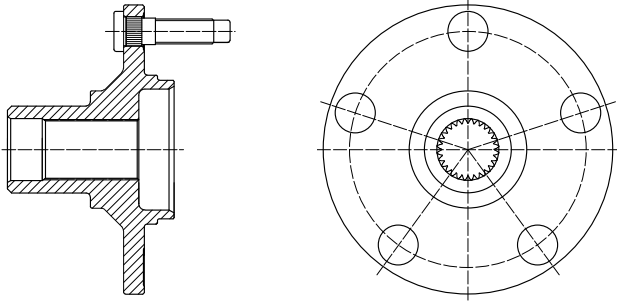
GH10230



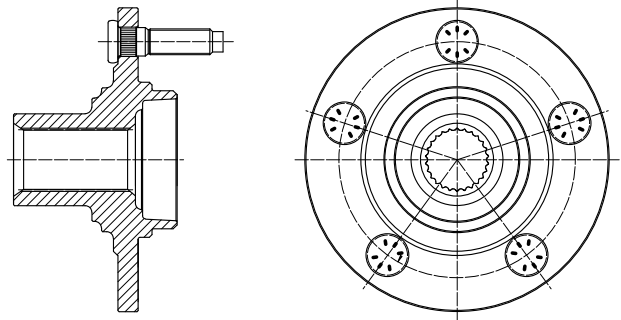
GH10240



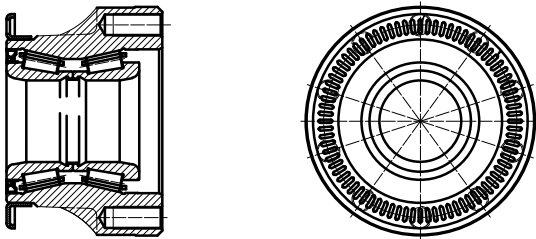
GH10250



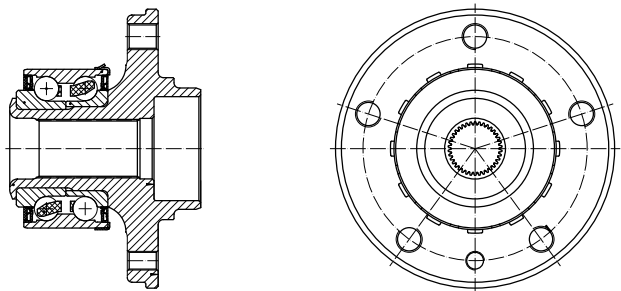
GH10260



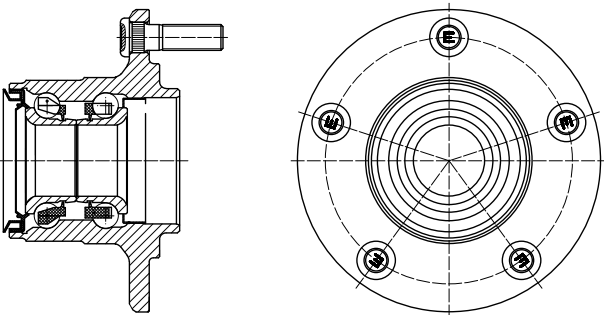
GH10270



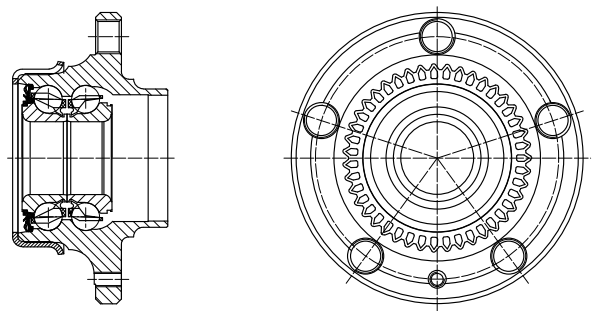
GH10280



GH20010

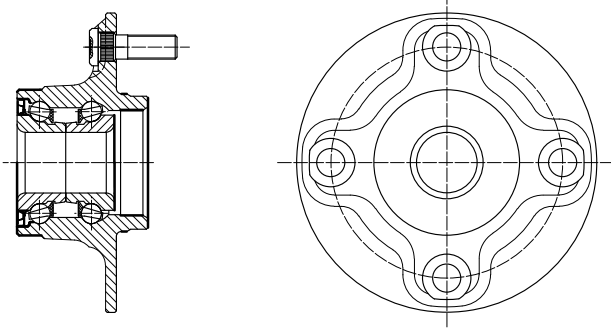


GH20030

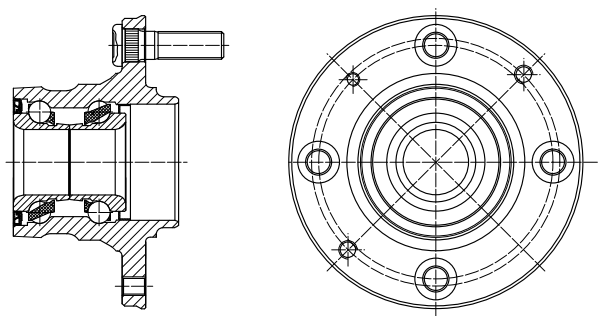


GMB HUB Unit Drawing

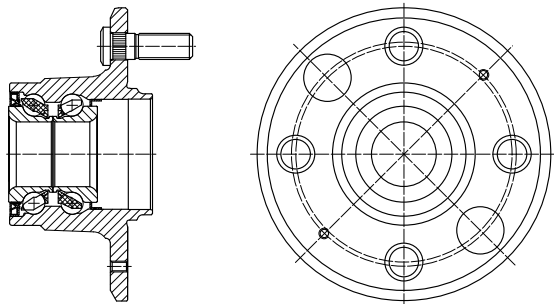
GH20040



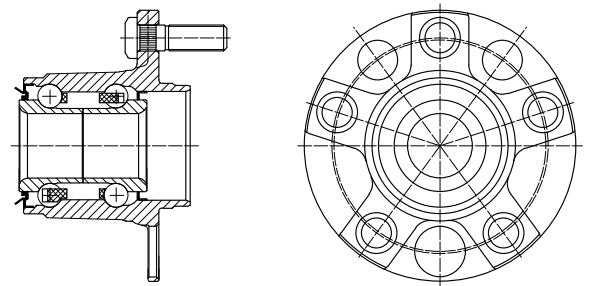
GH20050



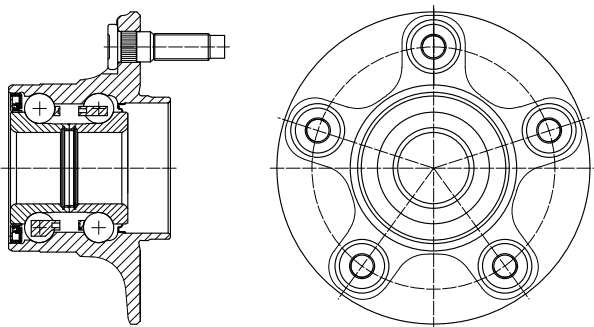
GH20060



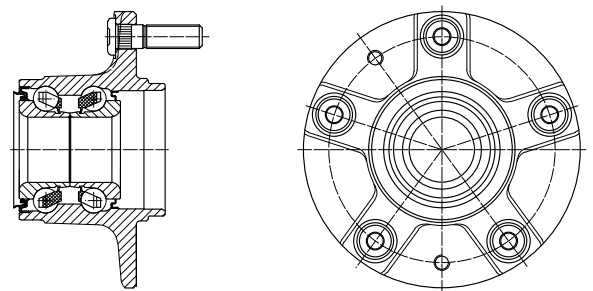
GH20070



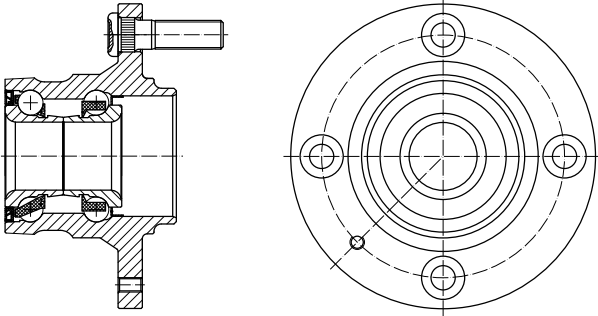
GH20080



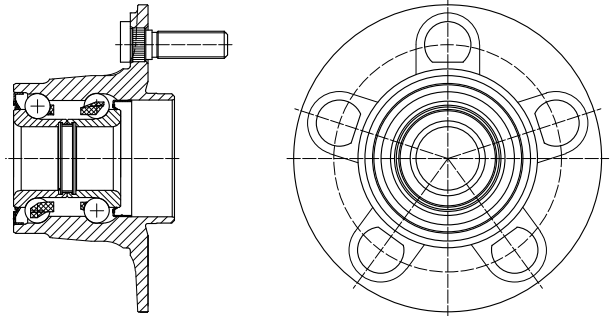
GH20090



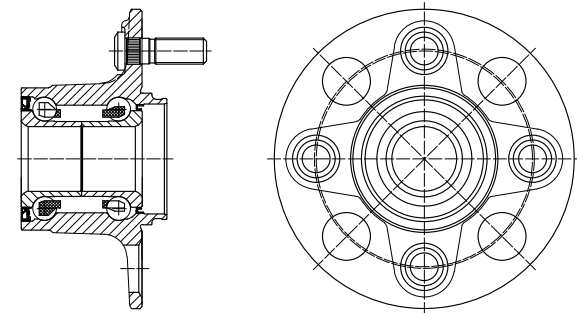
GH20100



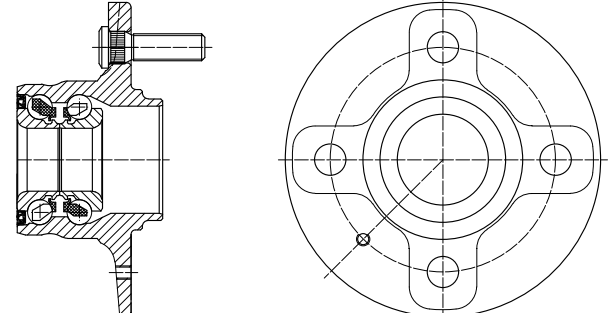
GH20110



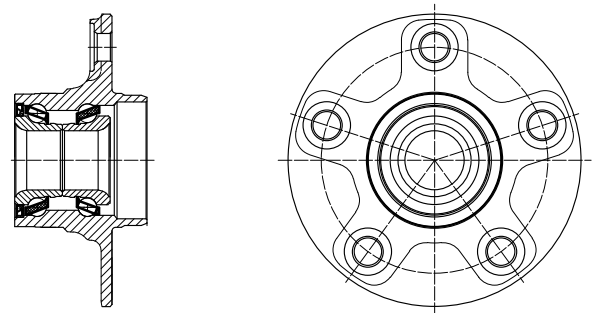
GH20140



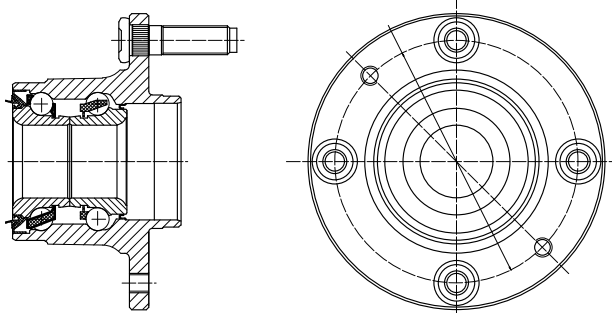
GH20180



GH20200

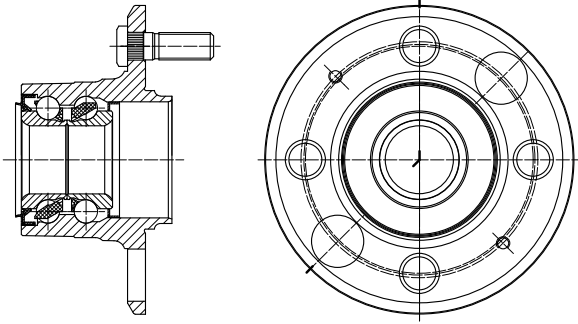


GH20210

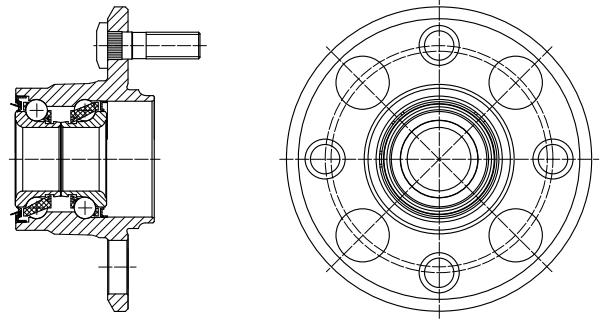


GMB HUB Unit Drawing

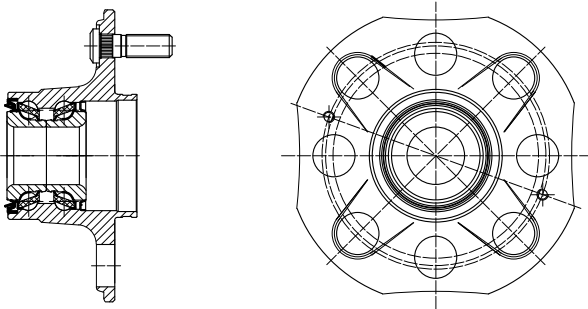
GH20220



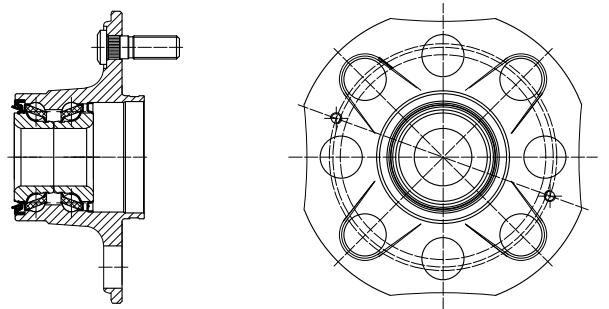
GH20230



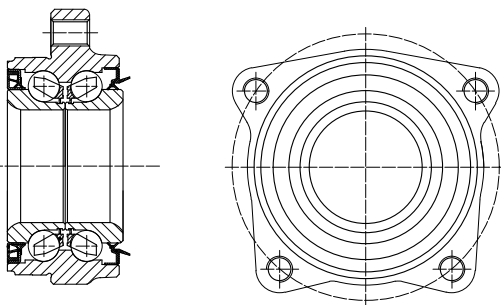
GH20240



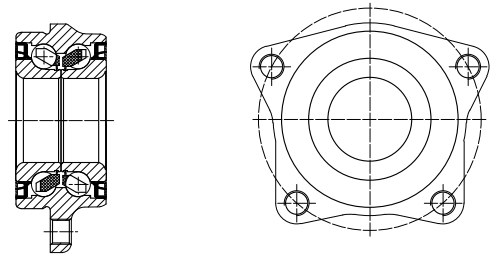
GH20250



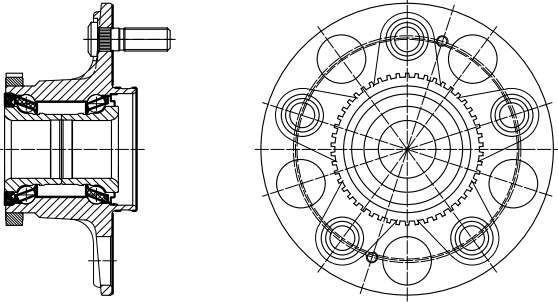
GH20260



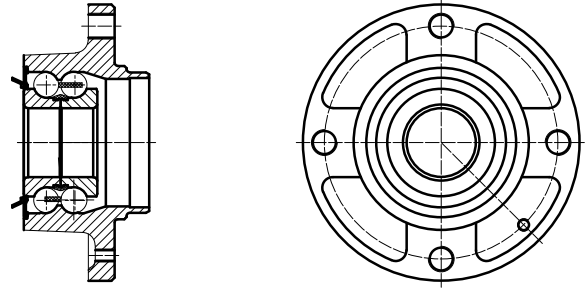
GH20270



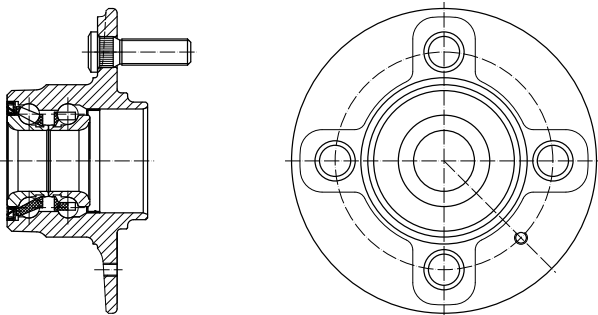
GH20290



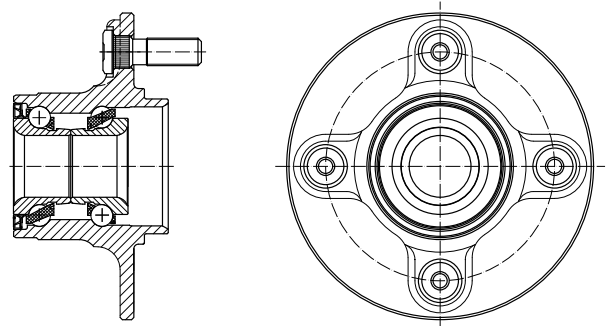
GH20310



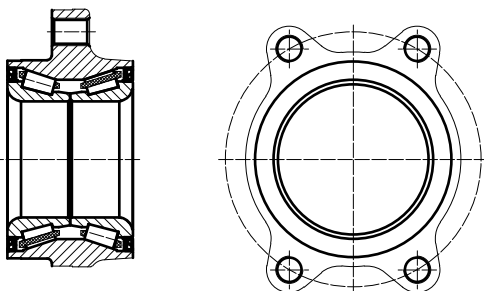
GH20320



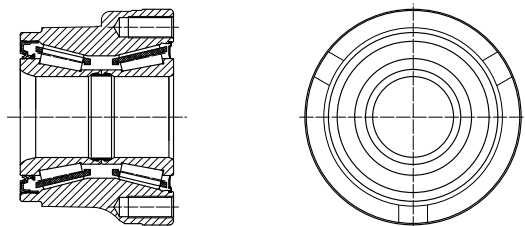
GH20350



GH20360

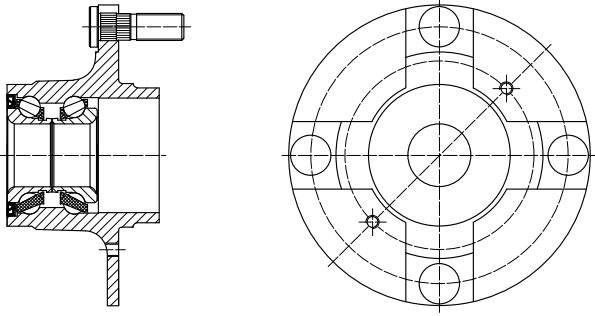


GH20390

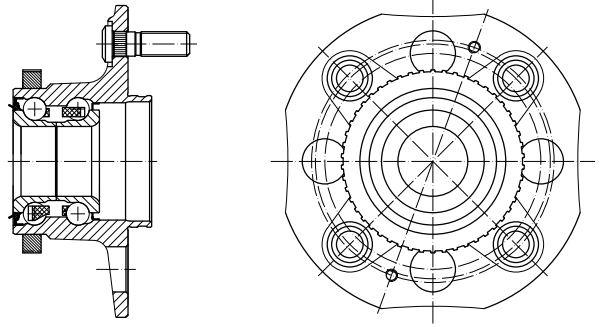


GMB HUB Unit Drawing

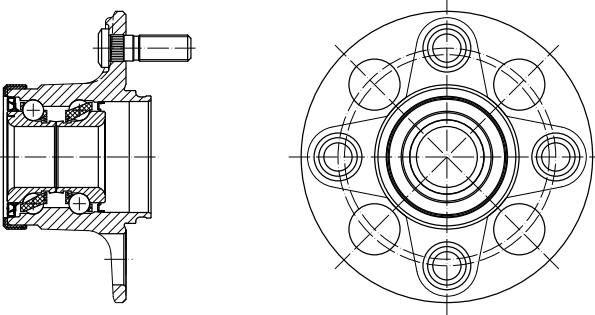
GH20400



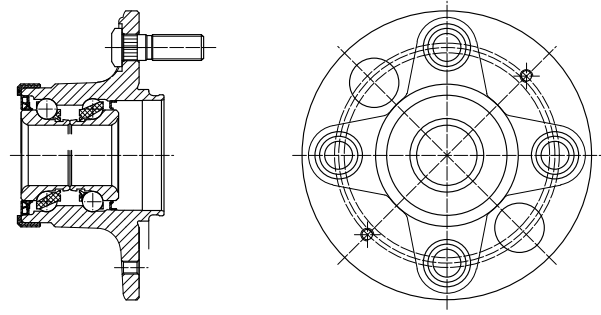
GH20420



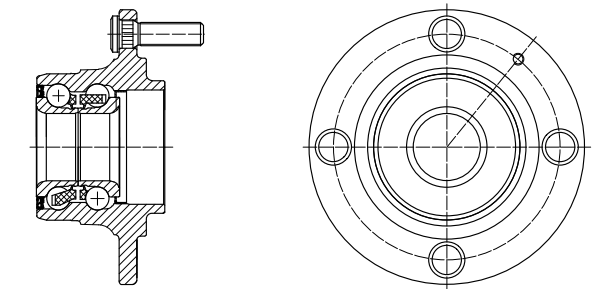
GH20460



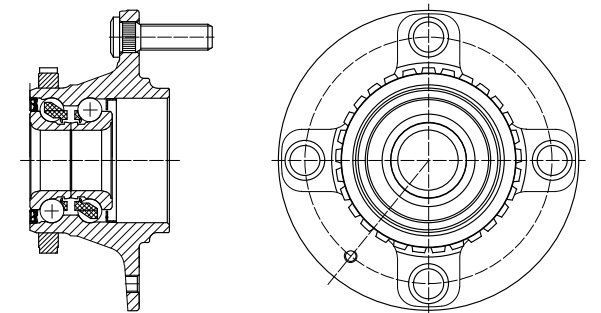
GH20462



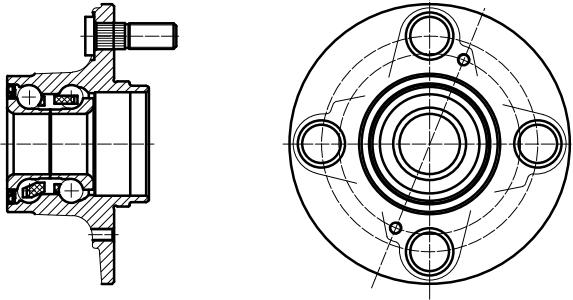
GH20480



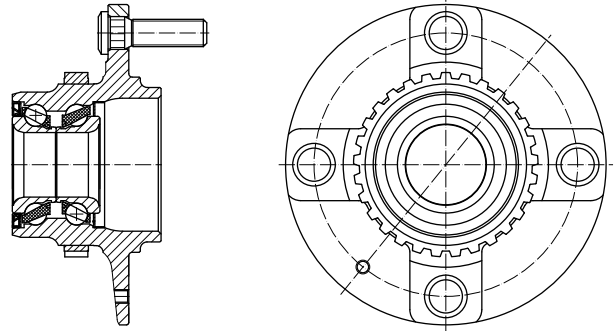
GH20520



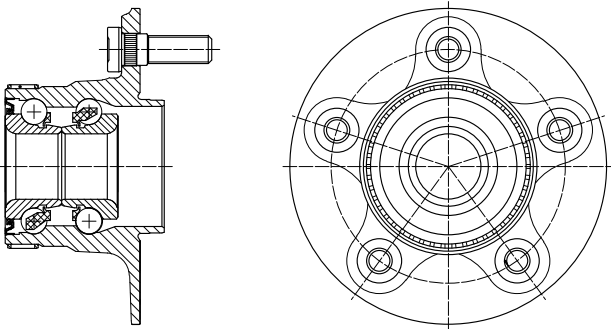
GH20530



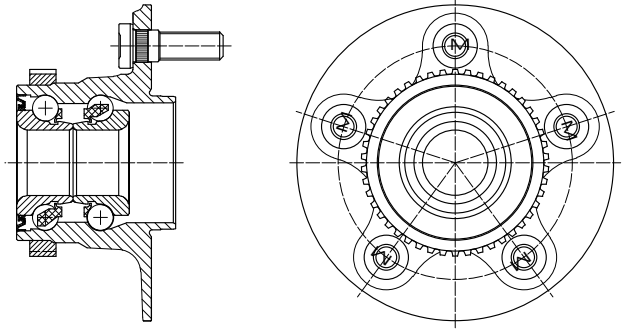
GH20540



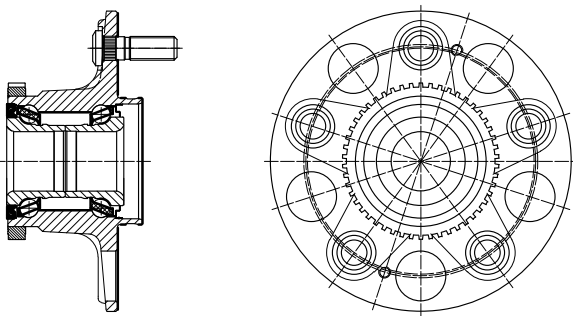
GH20550



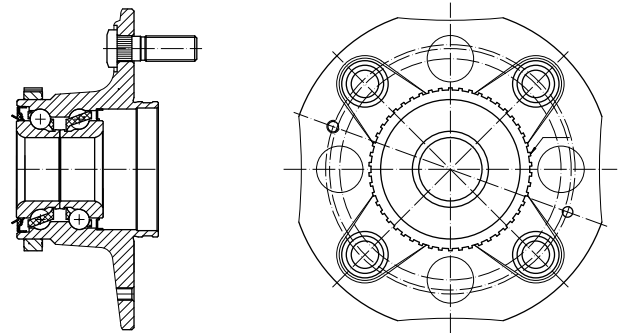
GH20560



GH20600

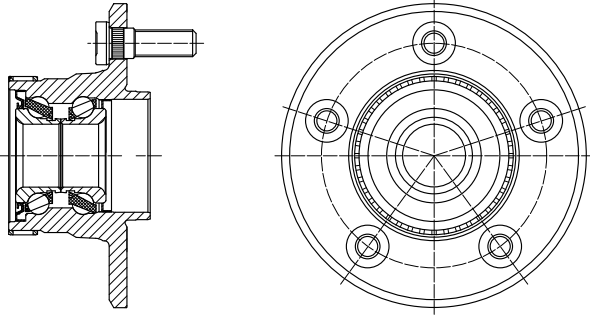


GH20620

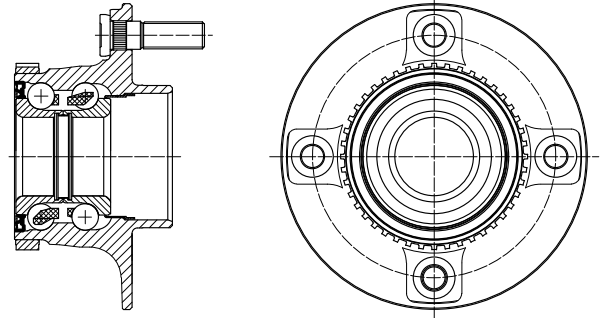


GMB HUB Unit Drawing

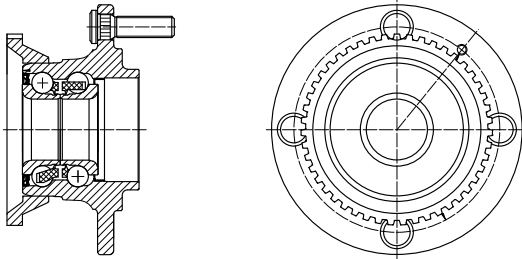
GH20630



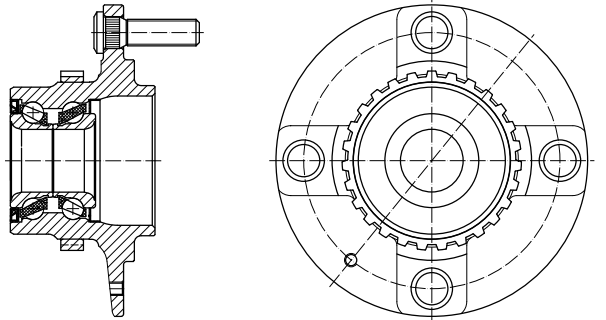
GH20640



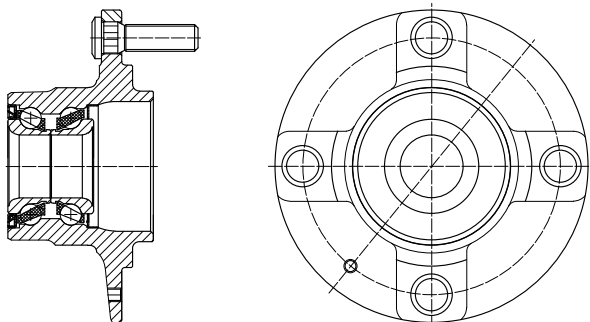
GH20650



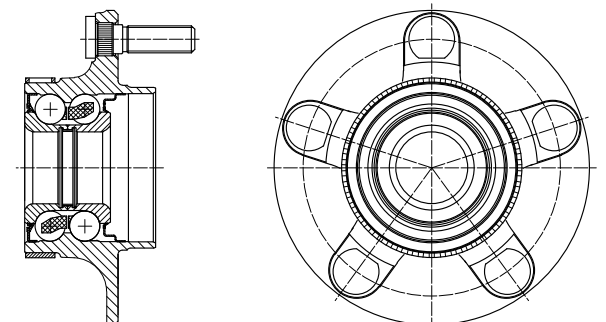
GH20660



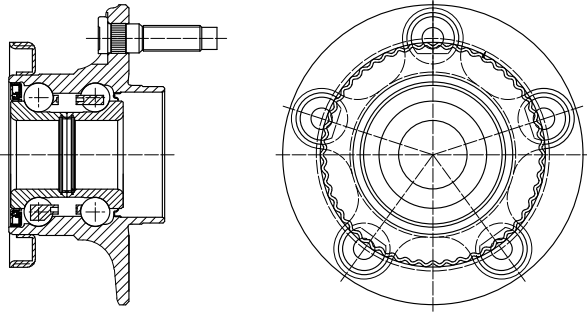
GH20662



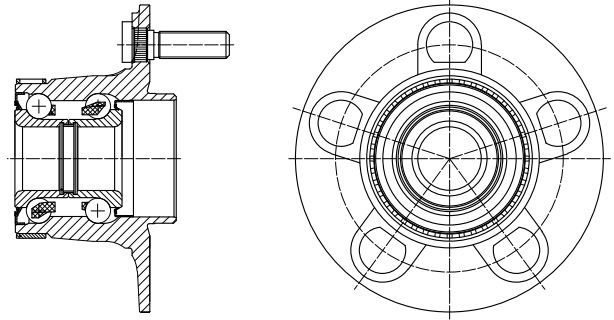
GH20670



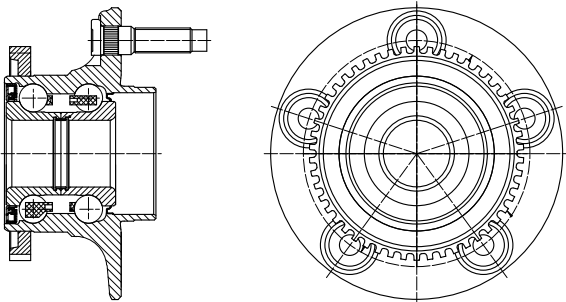
GH20680



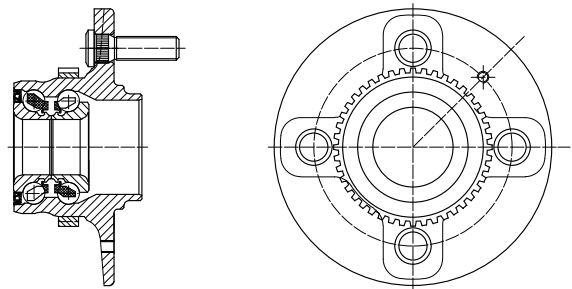
GH20700



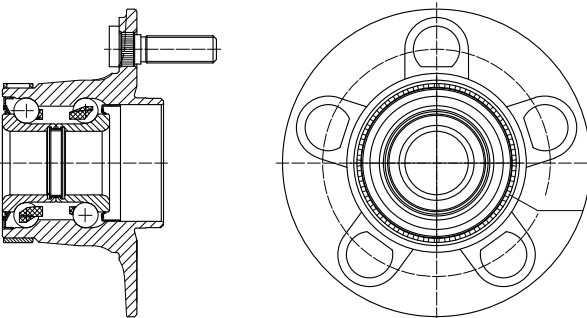
GH20710



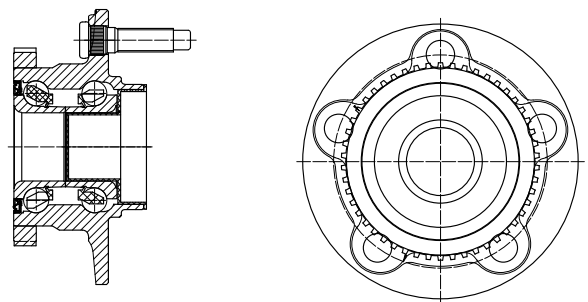
GH20730



GH20760

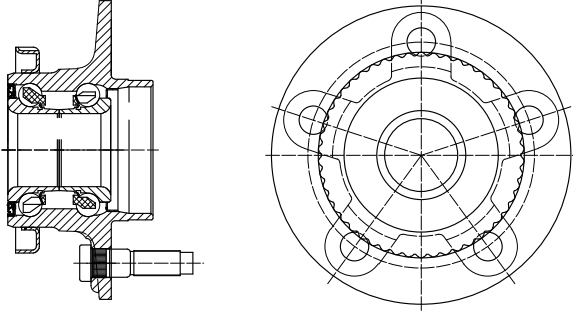


GH20770

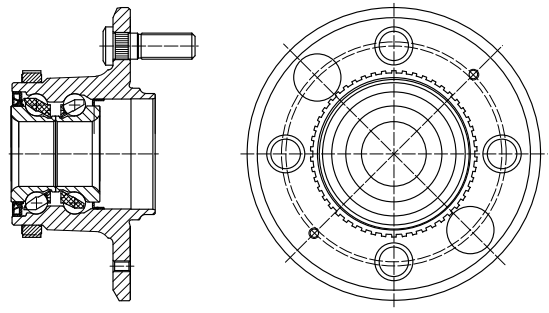


GMB HUB Unit Drawing

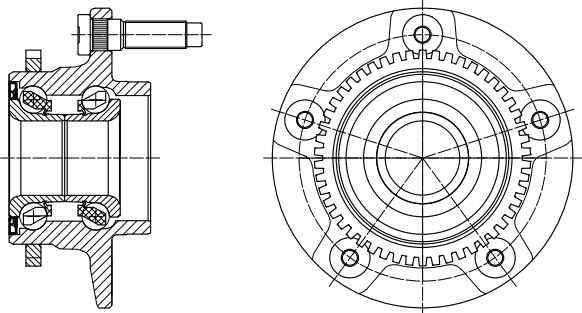
GH20780



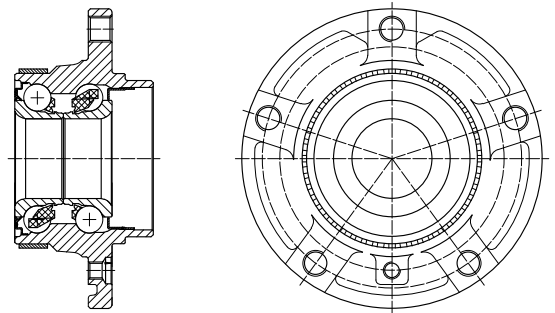
GH20790



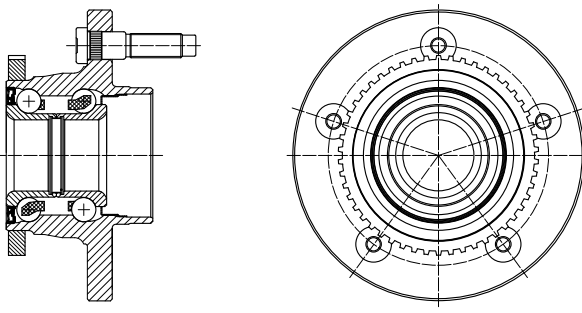
GH20800



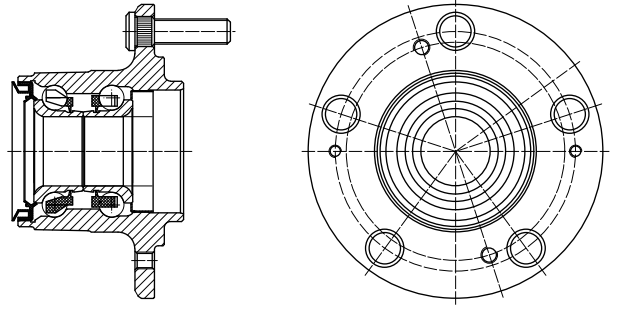
GH20810



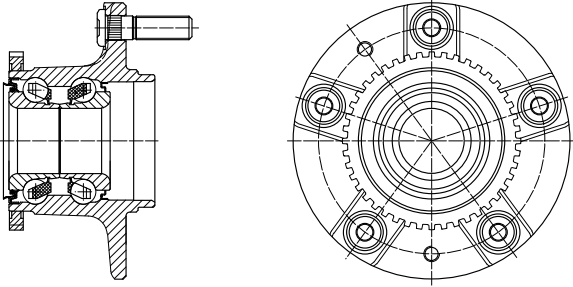
GH20830



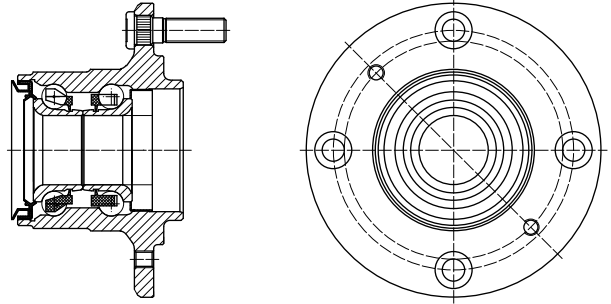
GH20840



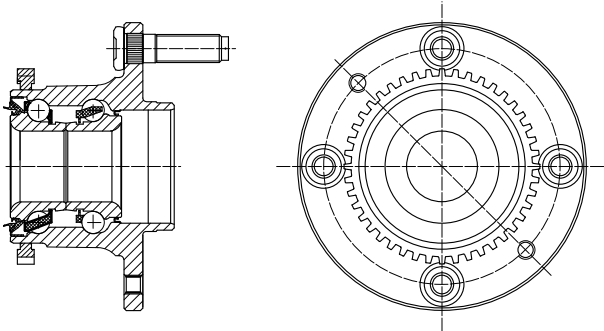
GH20850



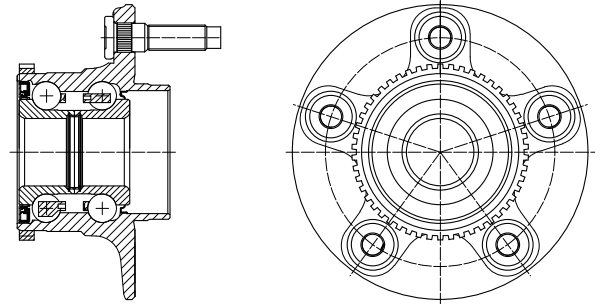
GH20860



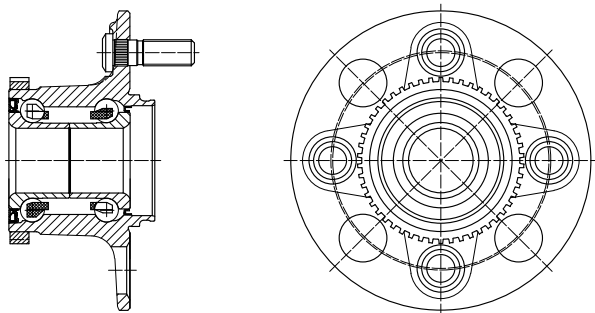
GH20870



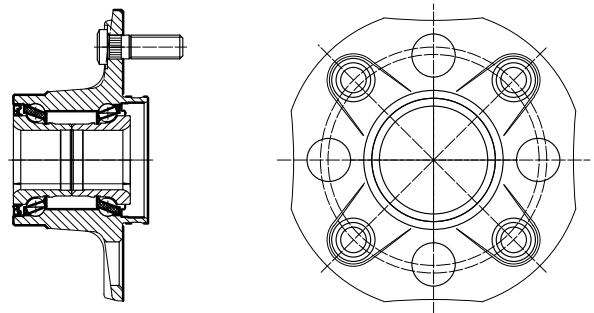
GH20880



GH20890

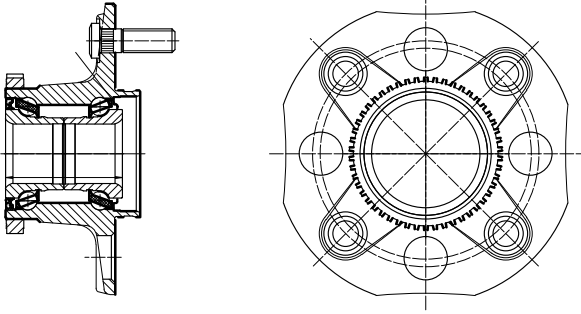


GH20900

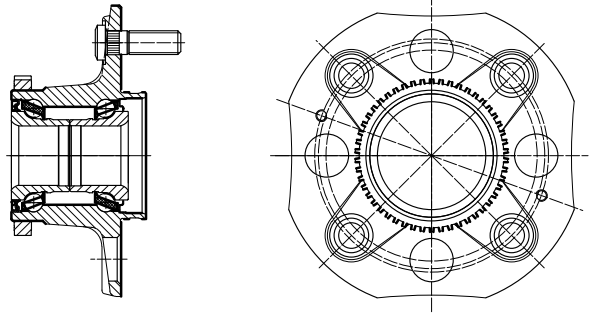


GMB HUB Unit Drawing

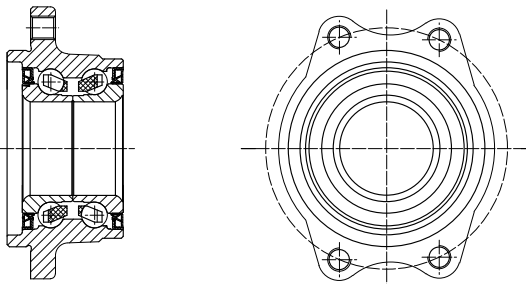
GH20910



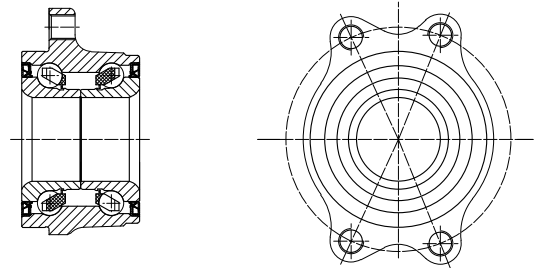
GH20920



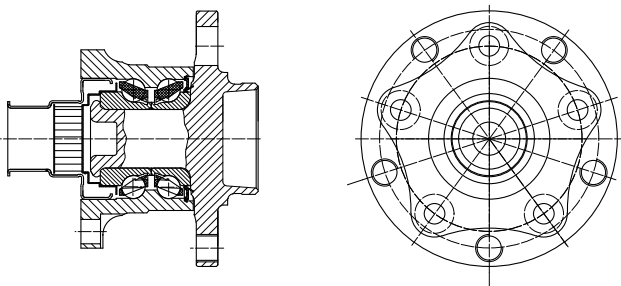
GH20930



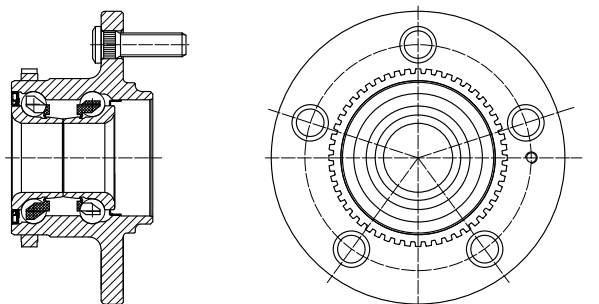
GH20940



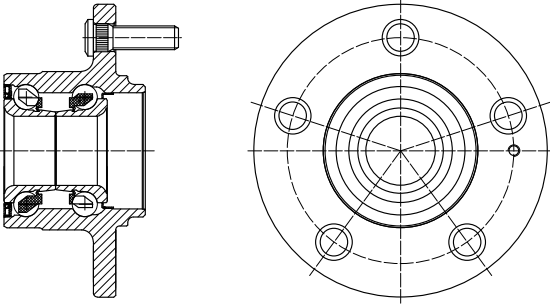
GH20950



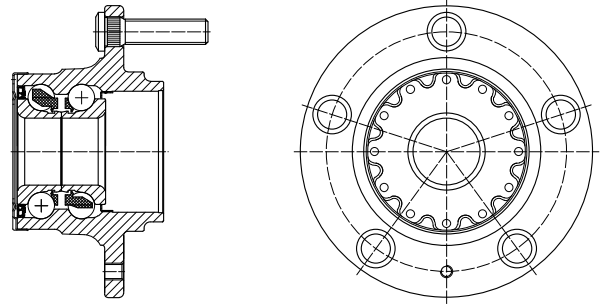
GH20960



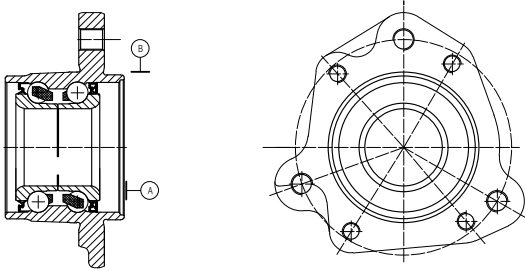
GH20970



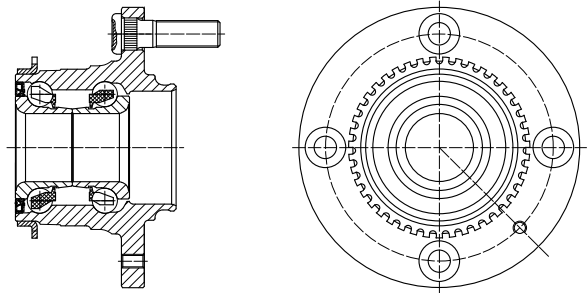
GH20980



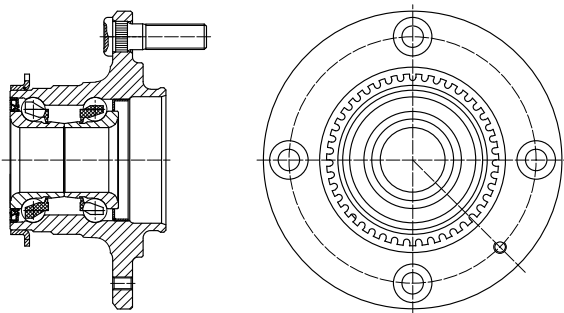
GH20990



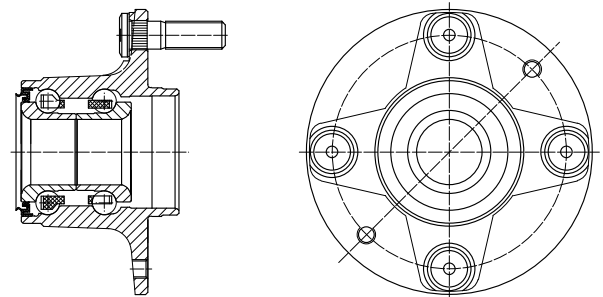
GH21000



GH21010

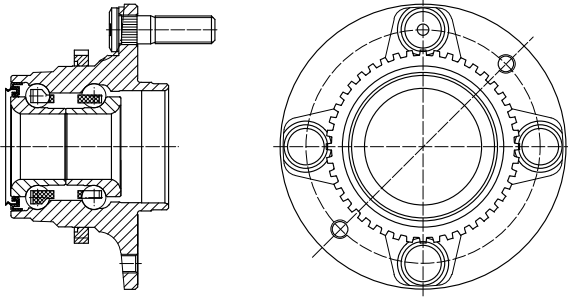


GH21020

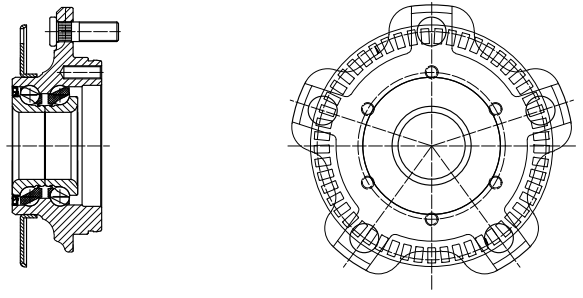


GMB HUB Unit Drawing

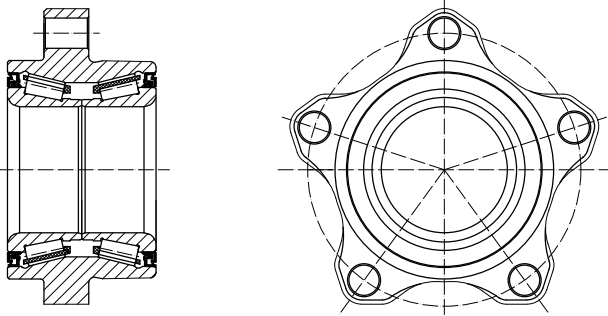
GH21030



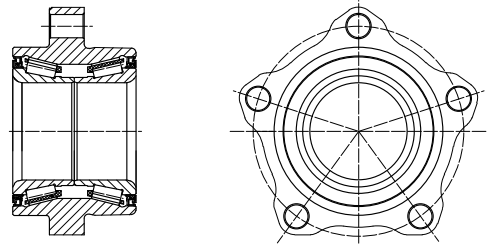
GH21040



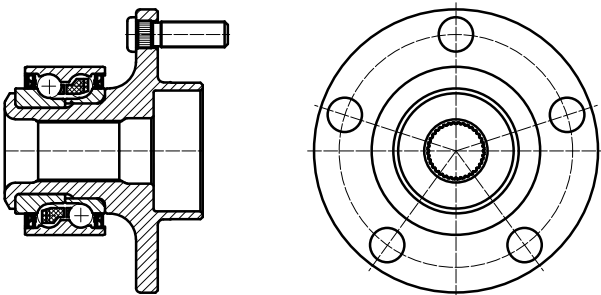
GH21160



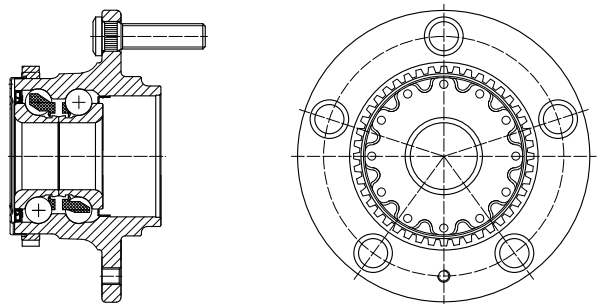
GH21170



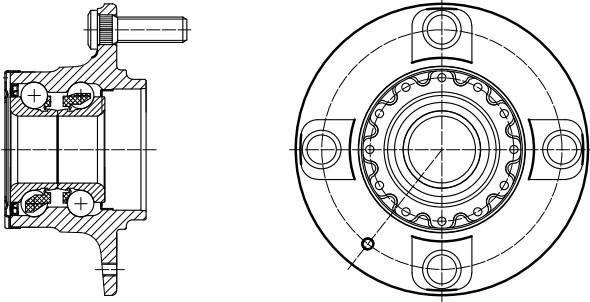
GH21190



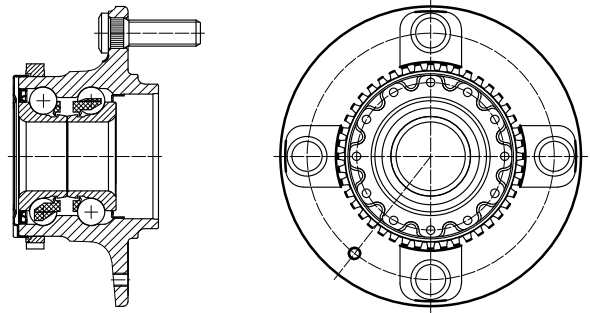
GH21200



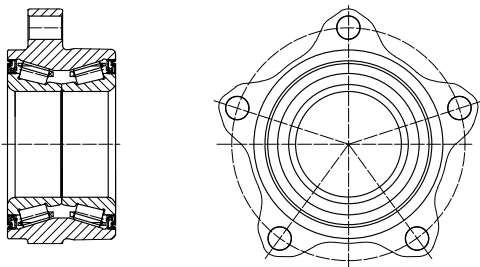
GH21210



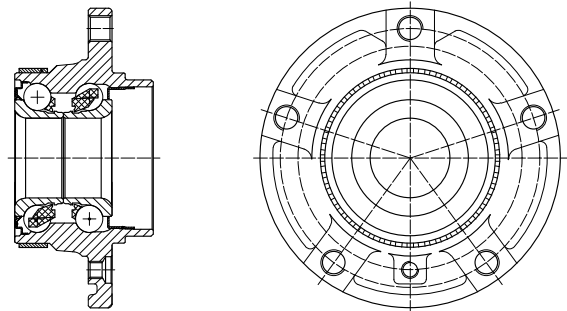
GH21220



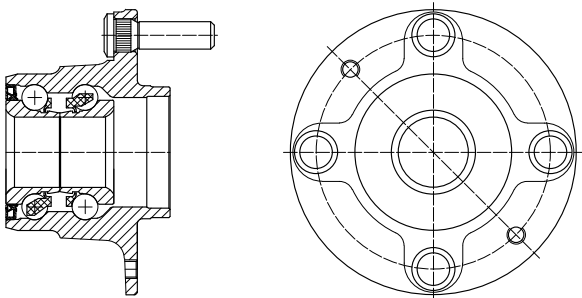
GH21230



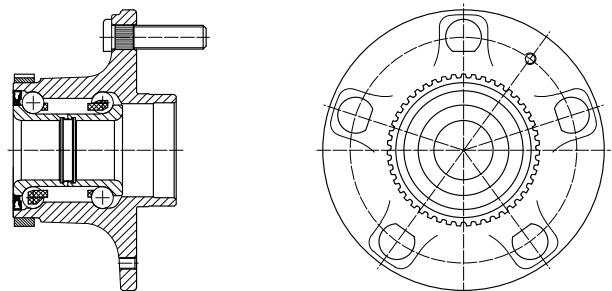
GH21240



GH21250

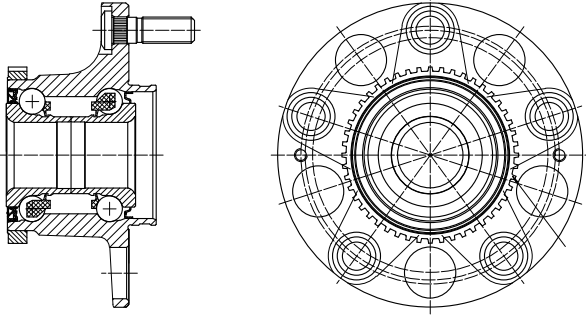


GH21260

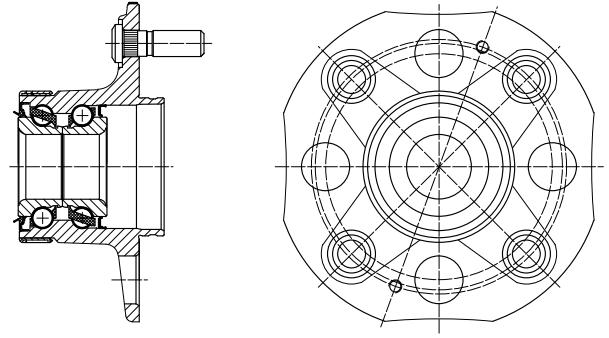


GMB HUB Unit Drawing

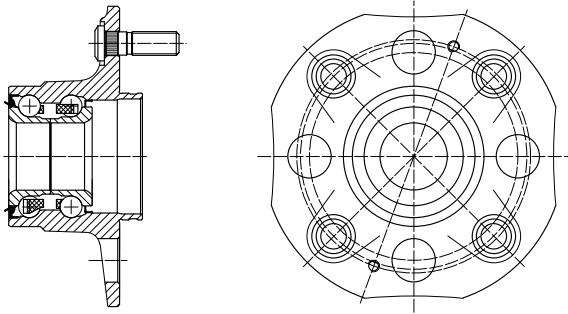
GH21270



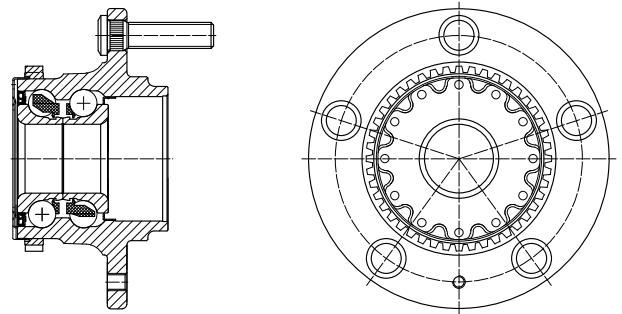
GH21290



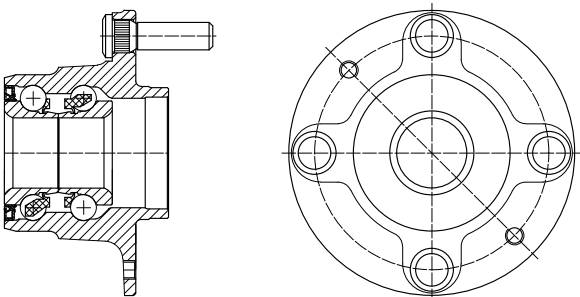
GH21300



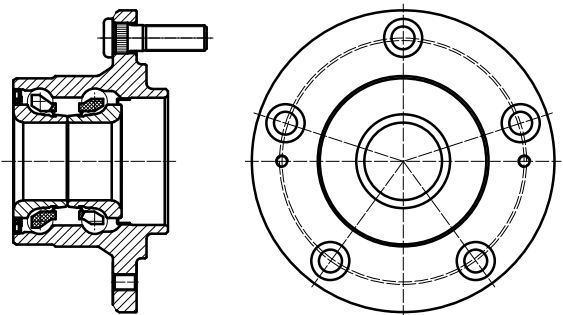
GH21310



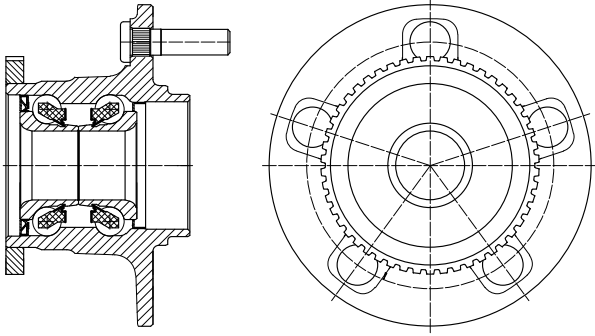
GH21320



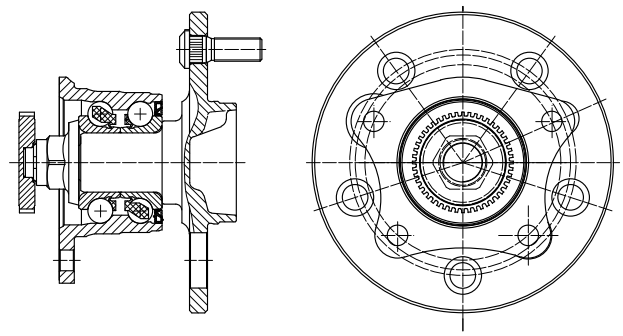
GH21340



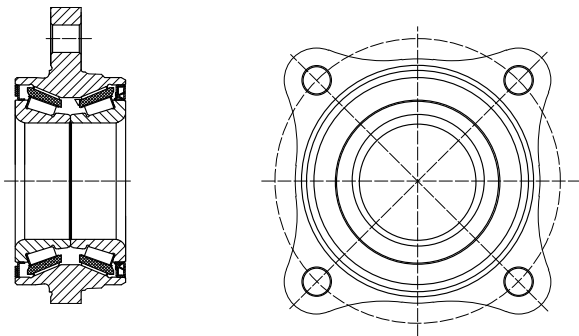
GH21360



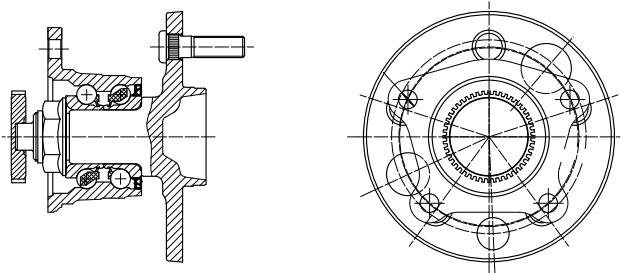
GH21370



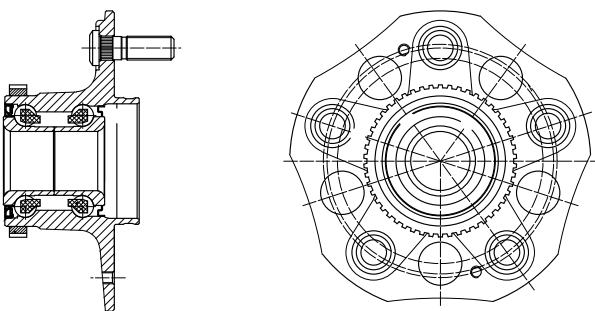
GH21380



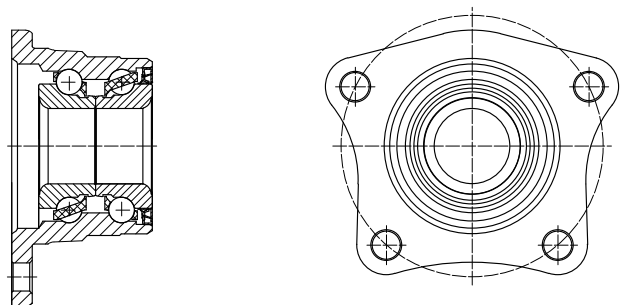
GH21390



GH21400

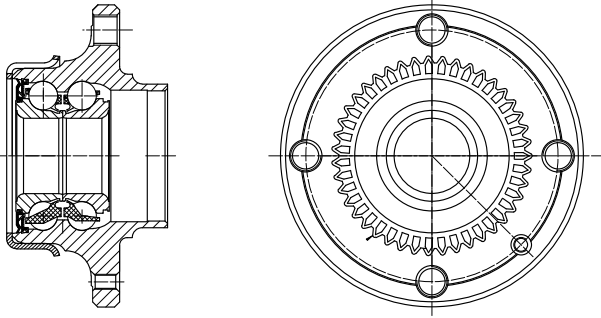


GH21420

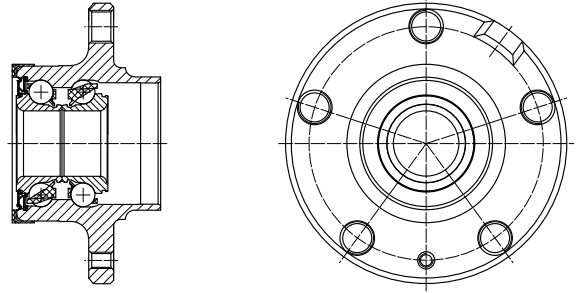


GMB HUB Unit Drawing

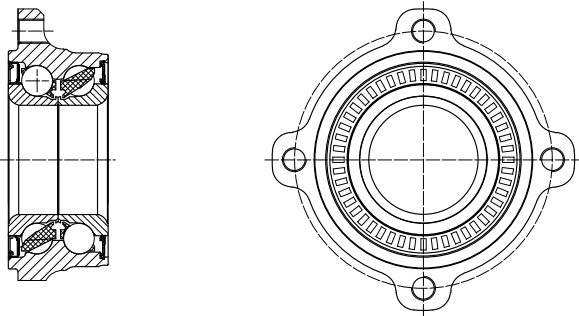
GH21430



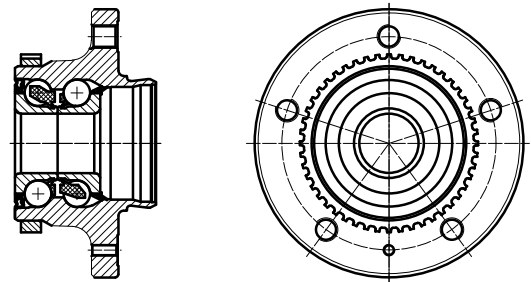
GH21450



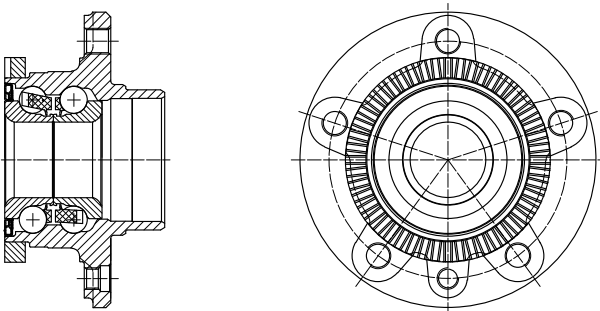
GH21460



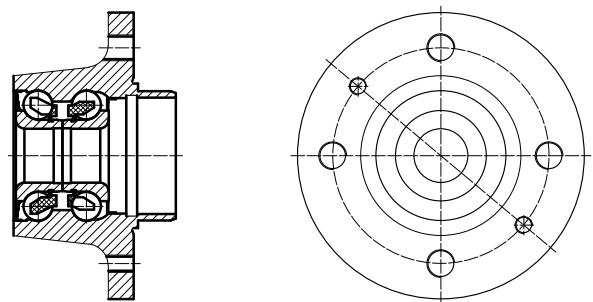
GH21470



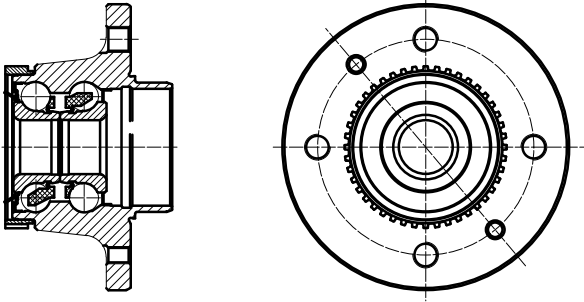
GH21480



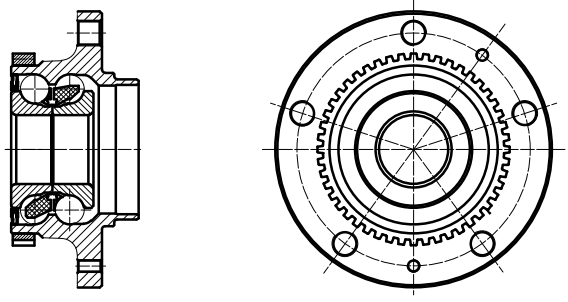
GH21520



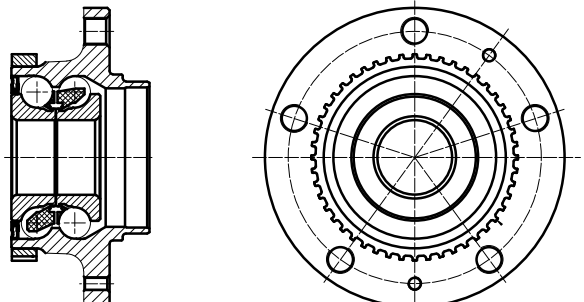
GH21530



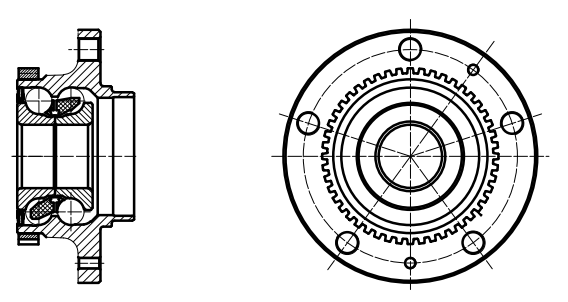
GH21550



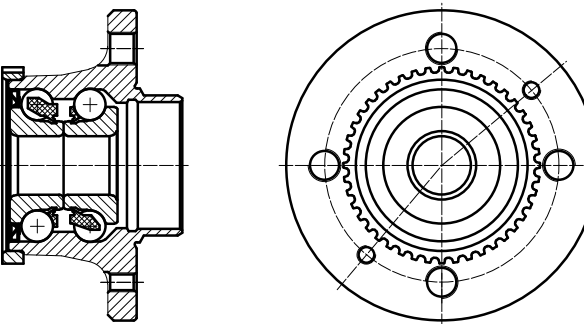
GH21560



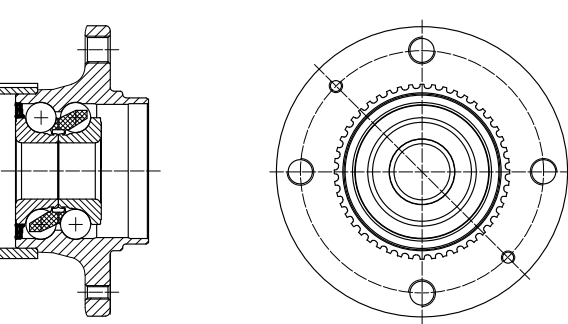
GH21570



GH21590

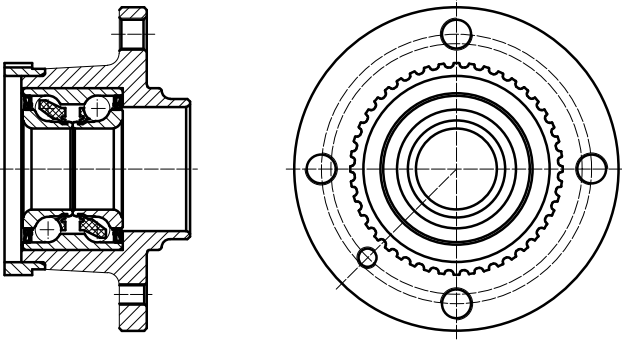


GH21620

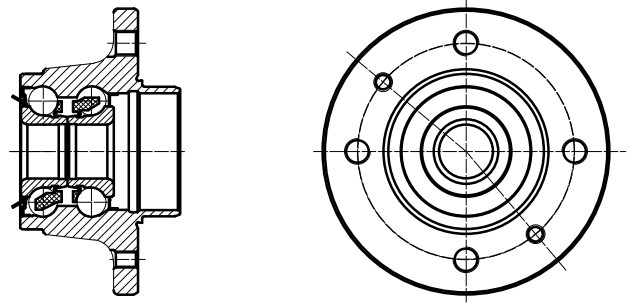


GMB HUB Unit Drawing

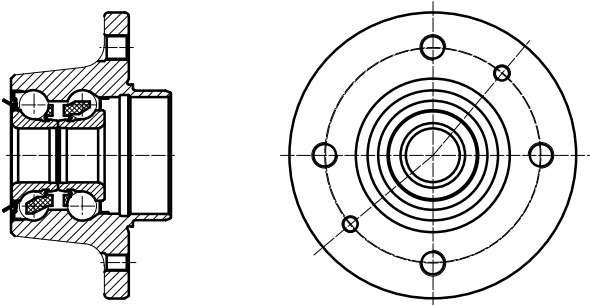
GH21630



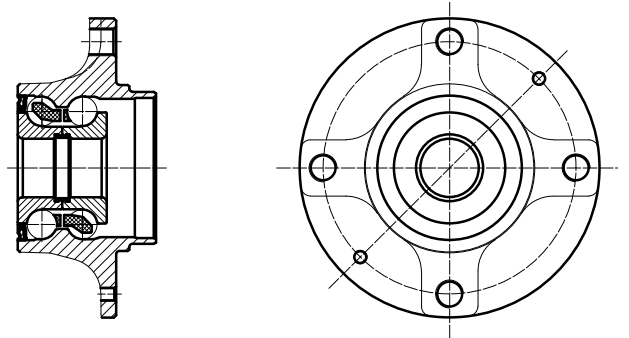
GH21650



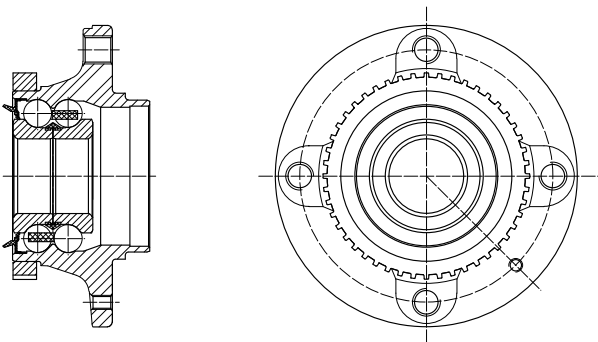
GH21660



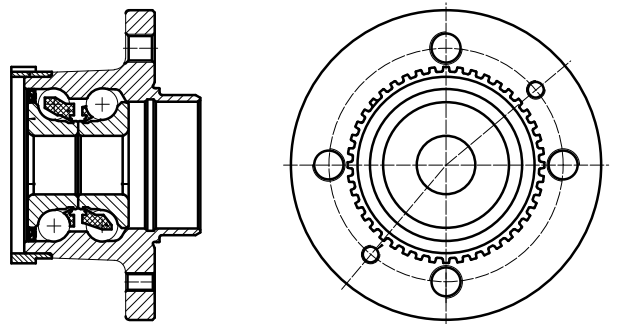
GH21670



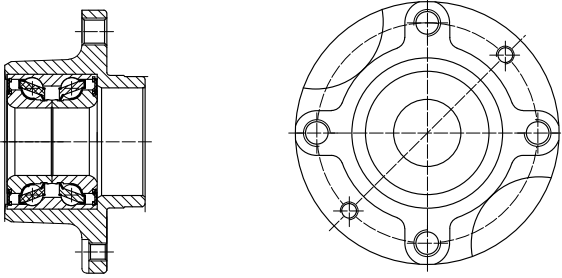
GH21680



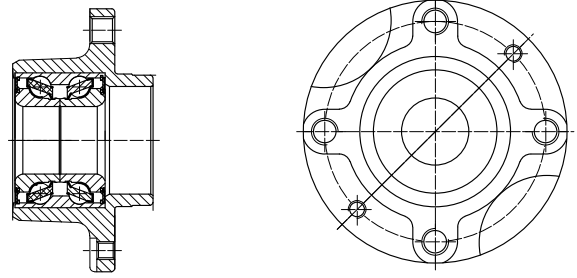
GH21690



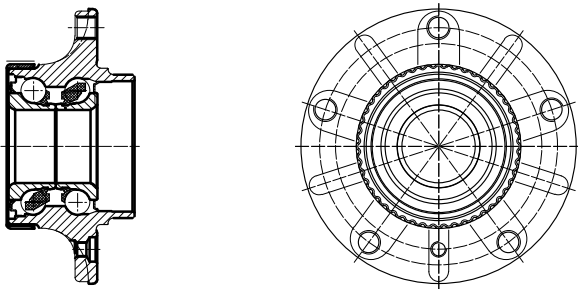
GH21720



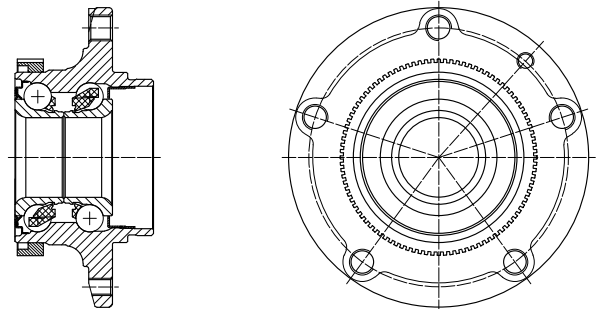
GH21730



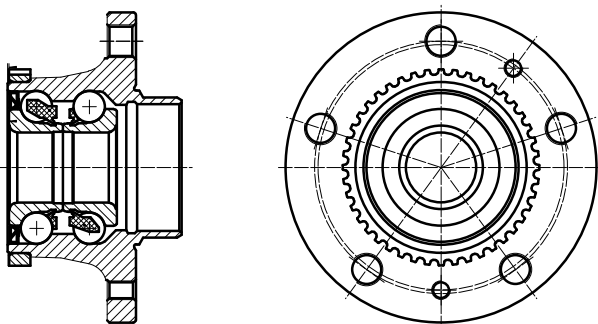
GH21740



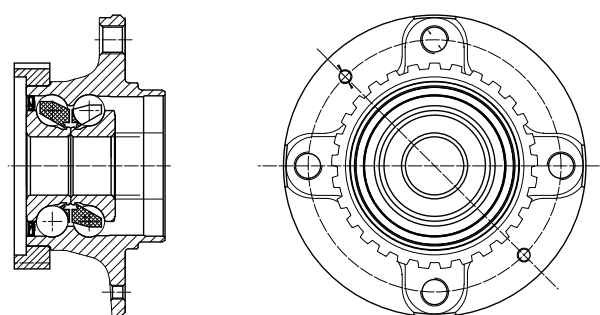
GH21750



GH21770

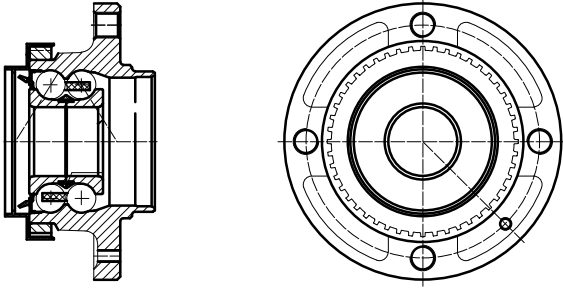


GH21800

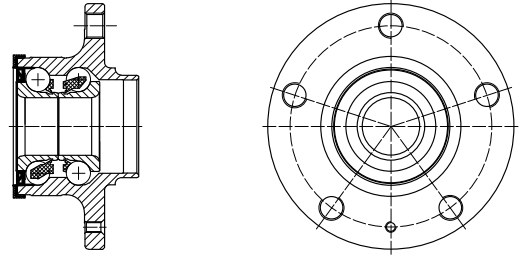


GMB HUB Unit Drawing

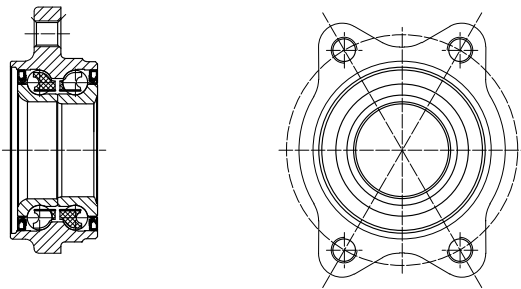
GH21810



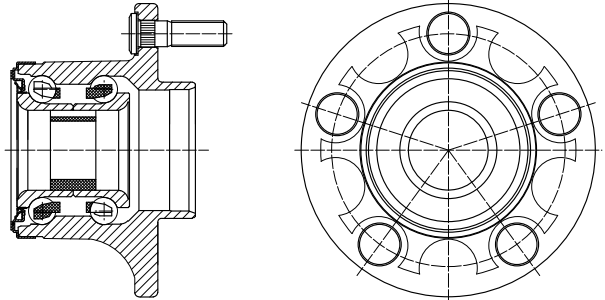
GH21930



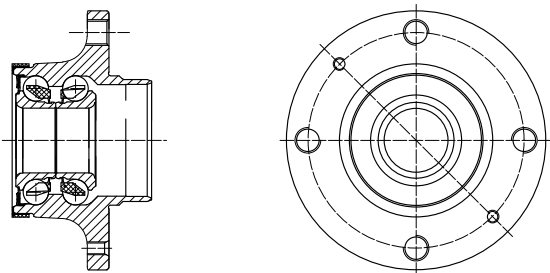
GH21940



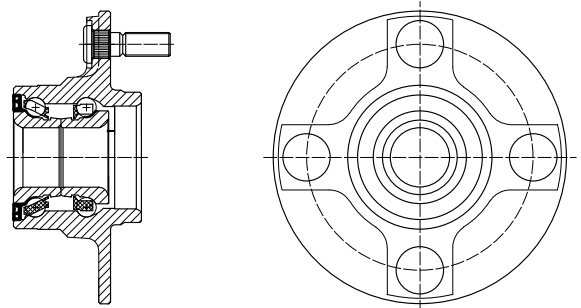
GH21950



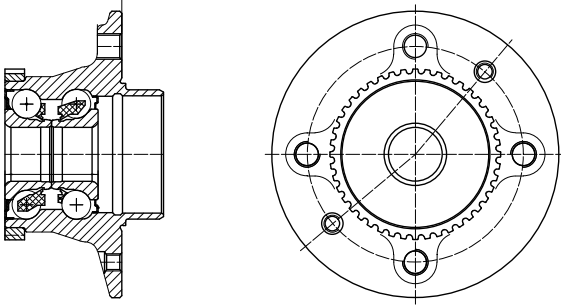
GH21960



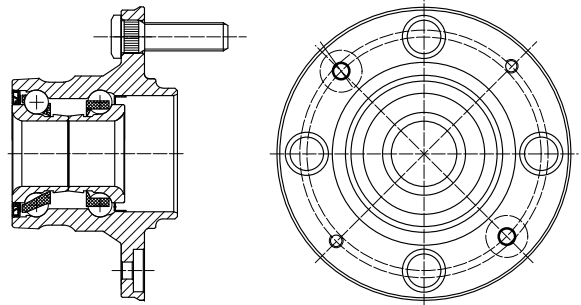
GH21970



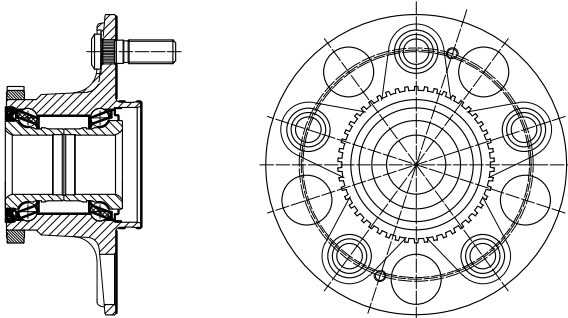
GH21980



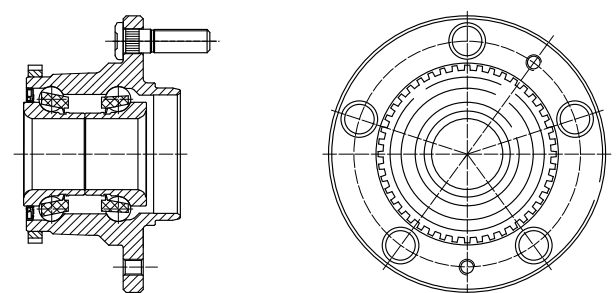
GH21990



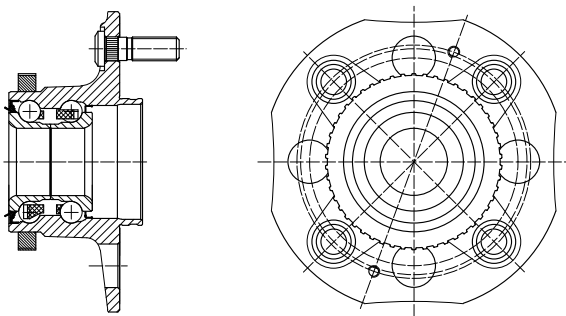
GH22000



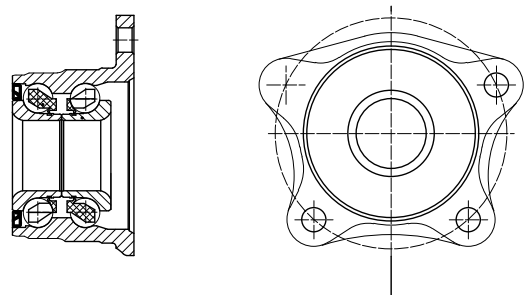
GH22090



GH22120

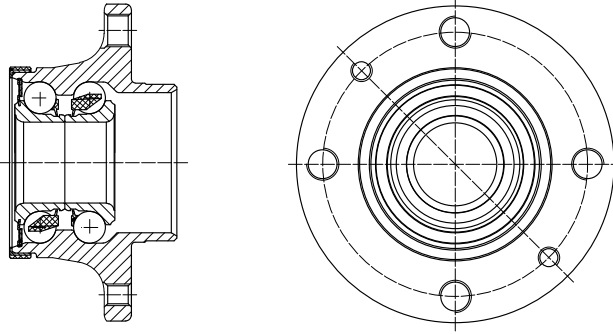


GH22140

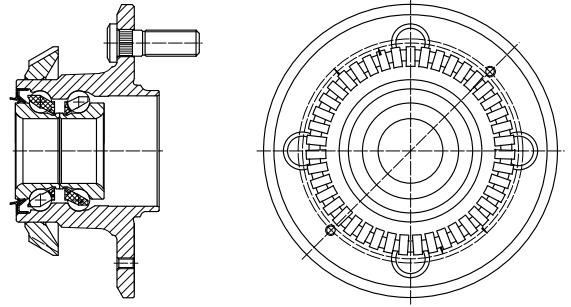


GMB HUB Unit Drawing

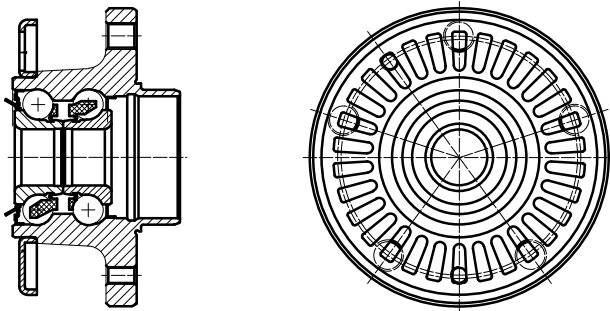
GH22150



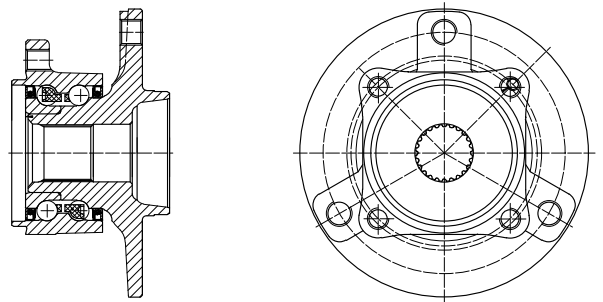
GH22160



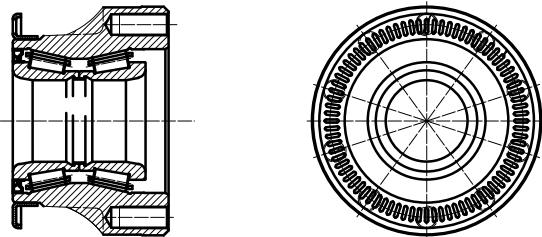
GH22180



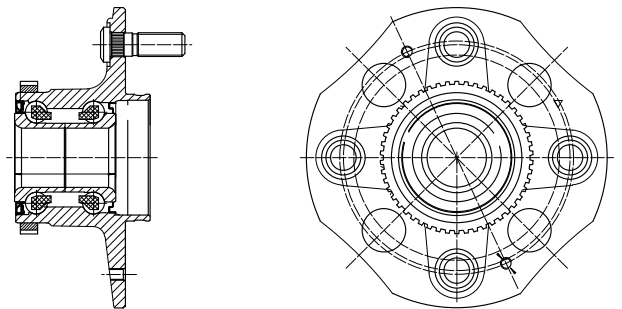
GH22220



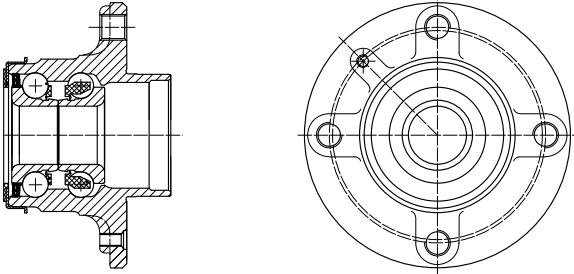
GH22250



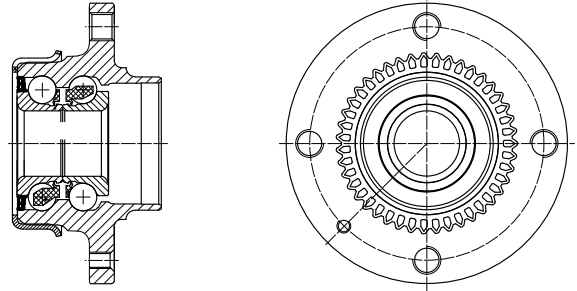
GH22320



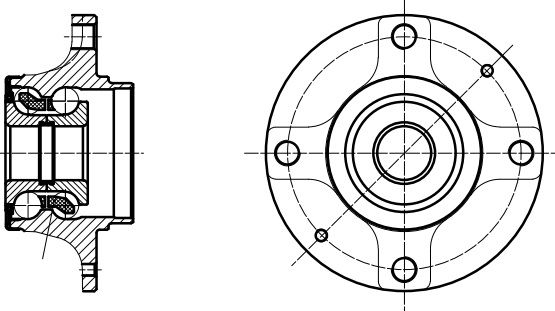
GH22340



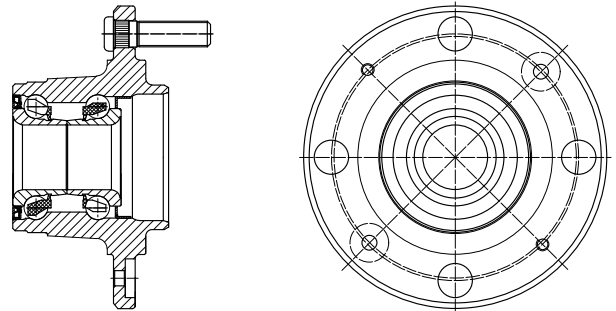
GH22360



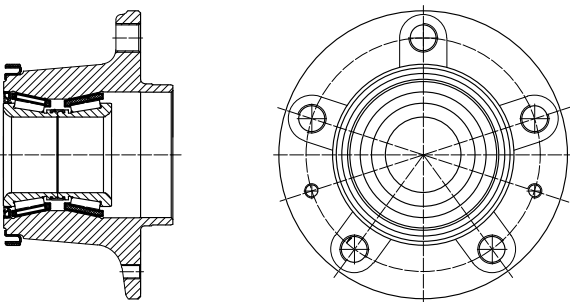
GH22380



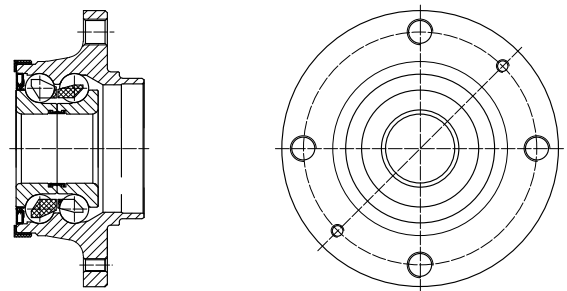
GH22390



GH22400

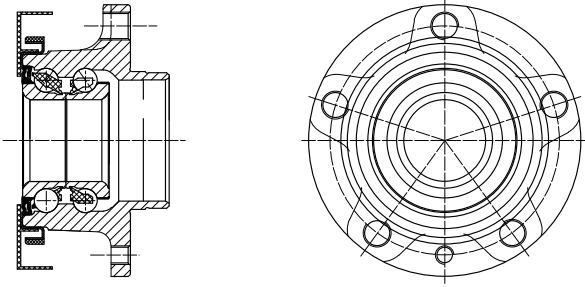


GH22480

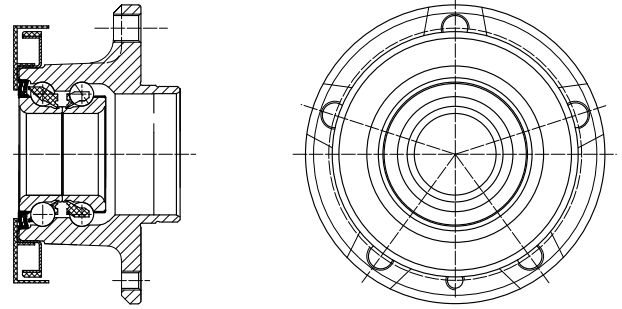


GMB HUB Unit Drawing

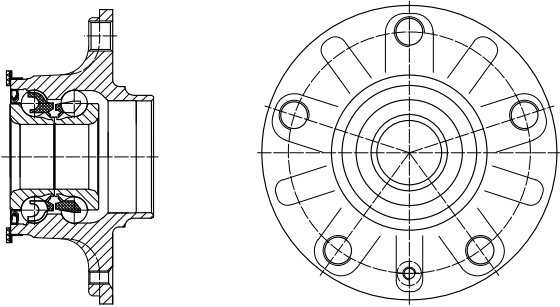
GH22500



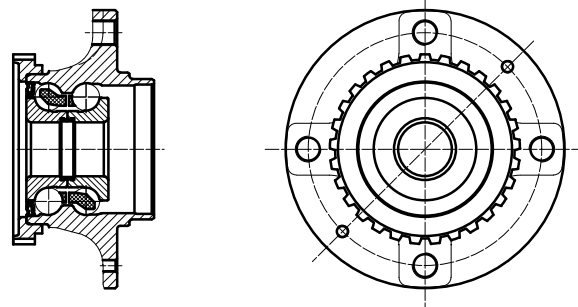
GH22510



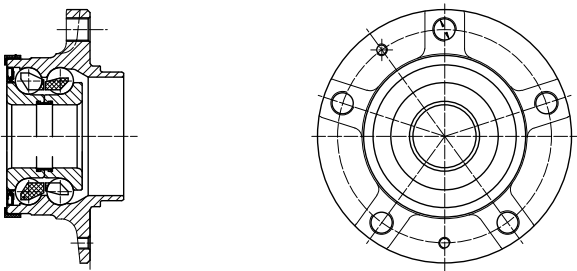
GH22530



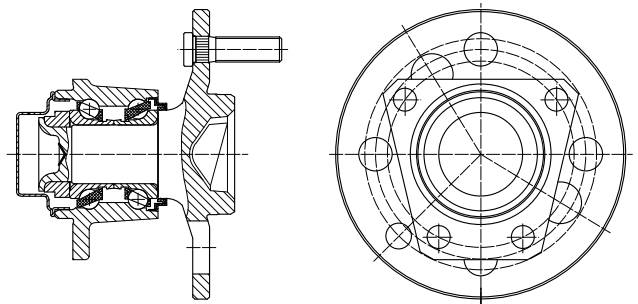
GH22540



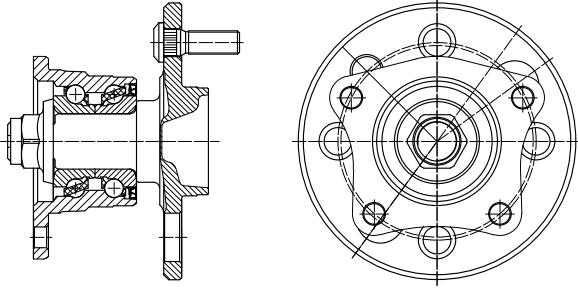
GH22550



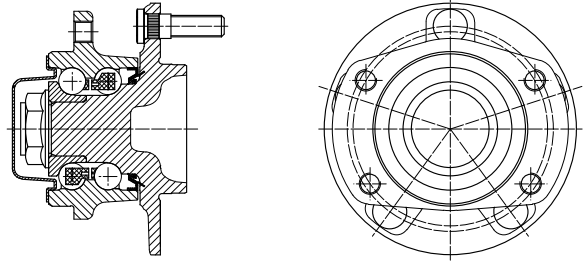
GH30010



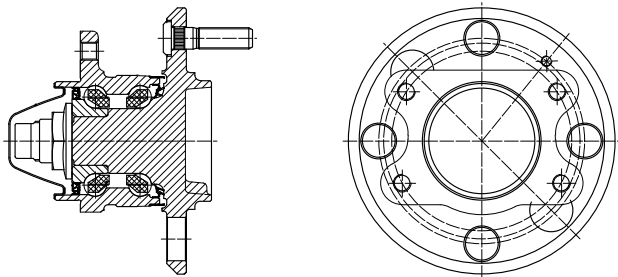
GH30020



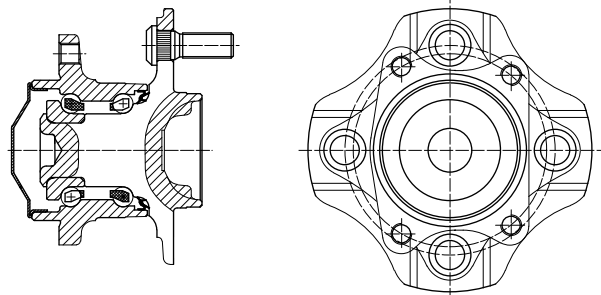
GH30050



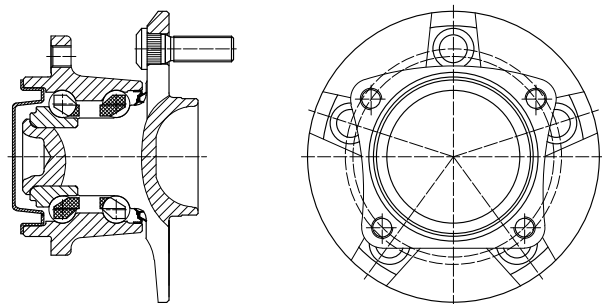
GH30060



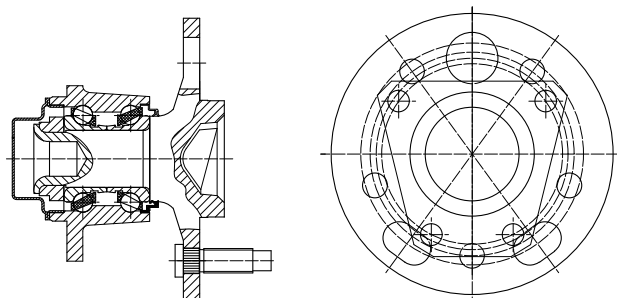
GH30070



GH30080

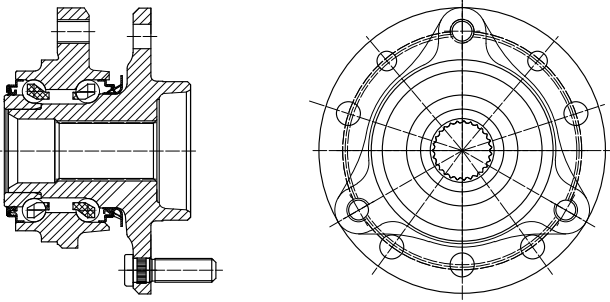


GH30090

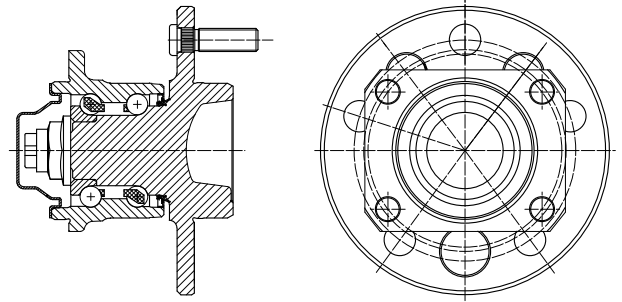


GMB HUB Unit Drawing

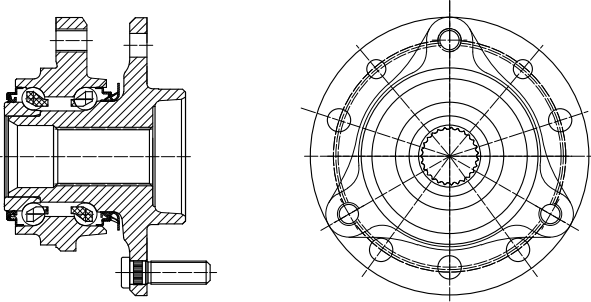
GH30100



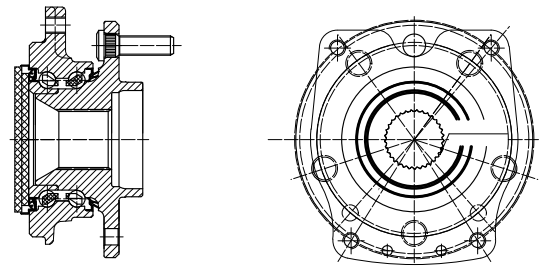
GH30110



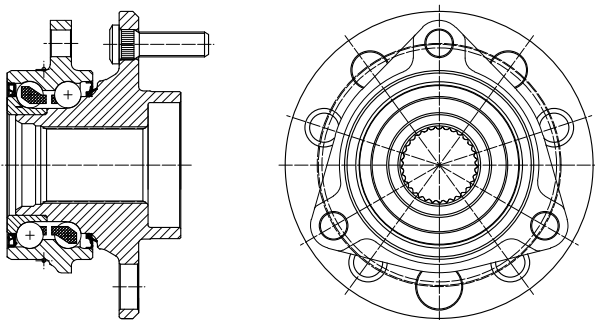
GH30120



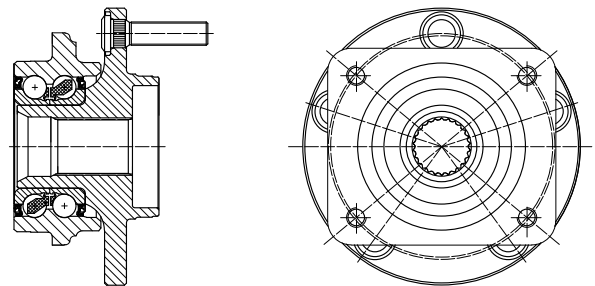
GH30130



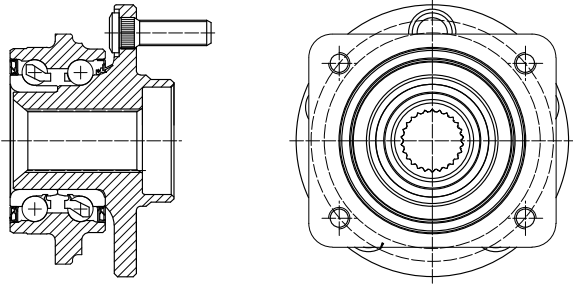
GH30140



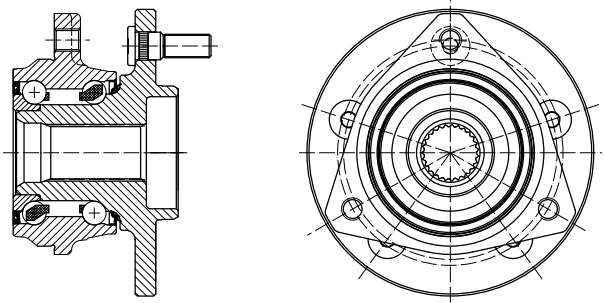
GH30150



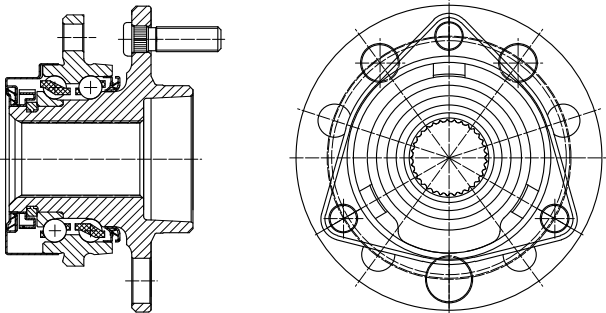
GH30160



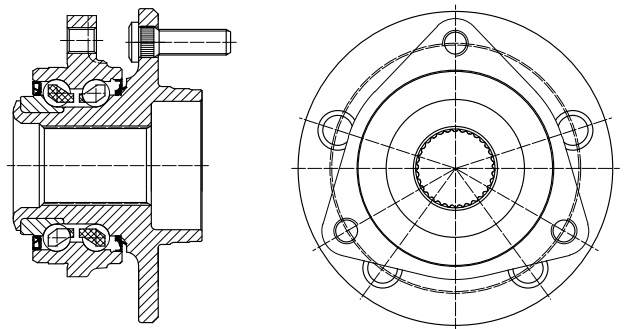
GH30170



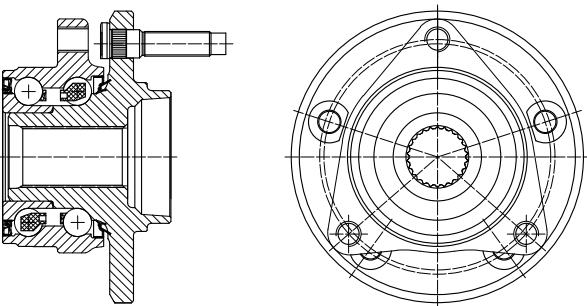
GH30180



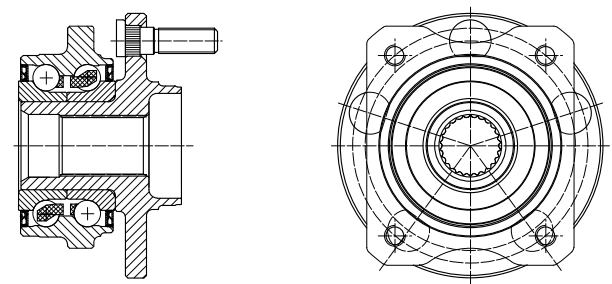
GH30190



GH30200

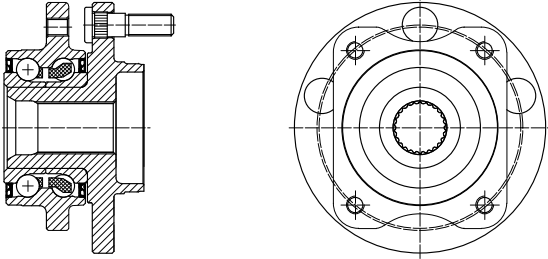


GH30210

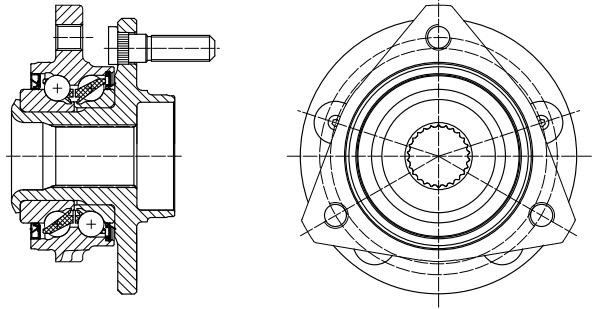


GMB HUB Unit Drawing

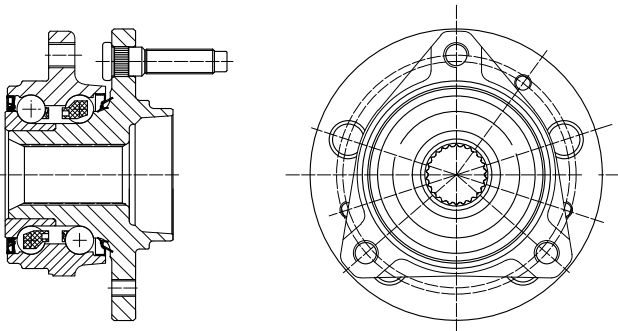
GH30220



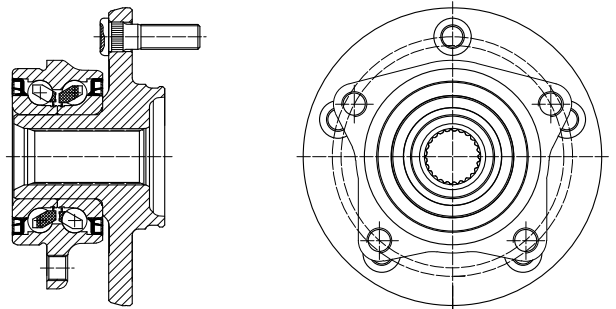
GH30230



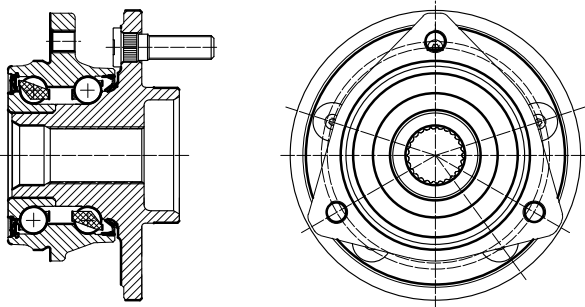
GH30240



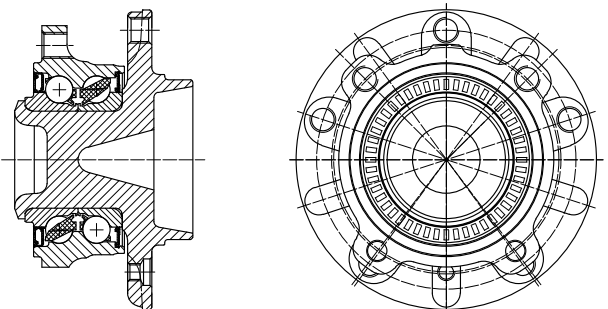
GH30250



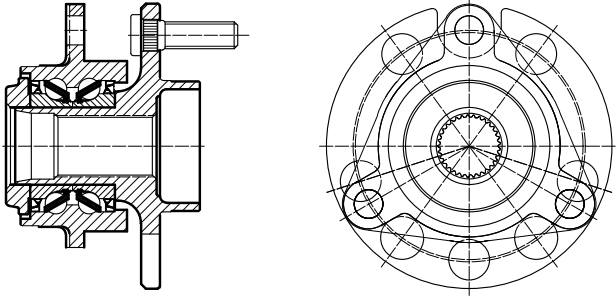
GH30260



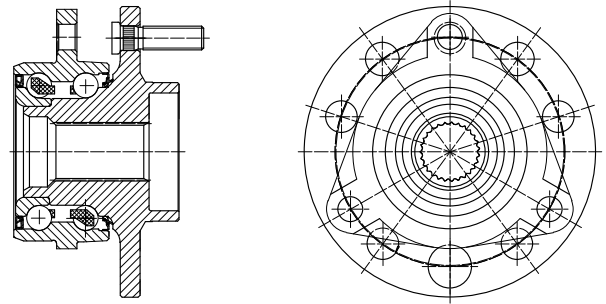
GH30270



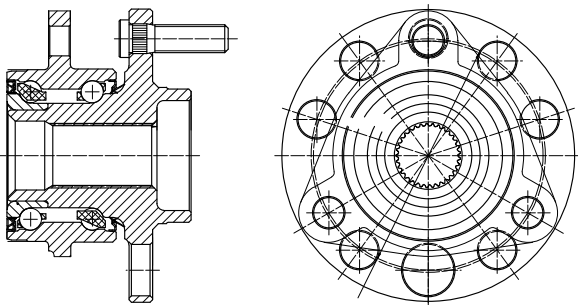
GH30290



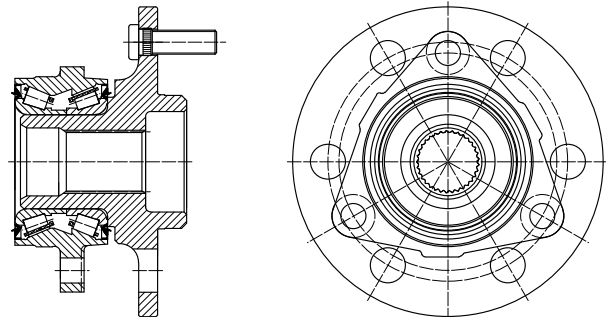
GH30300



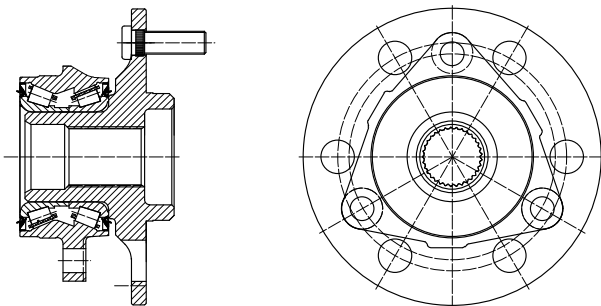
GH30310



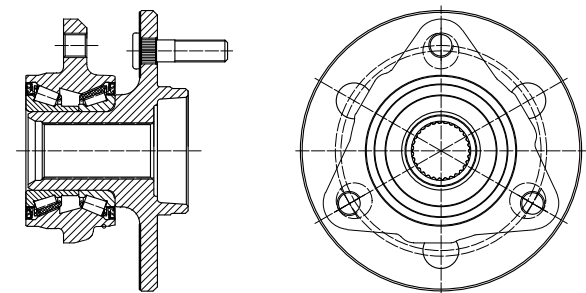
GH30330



GH30340

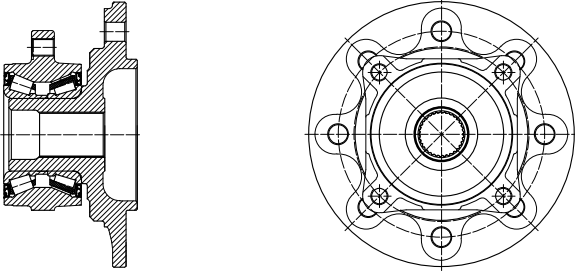


GH30350

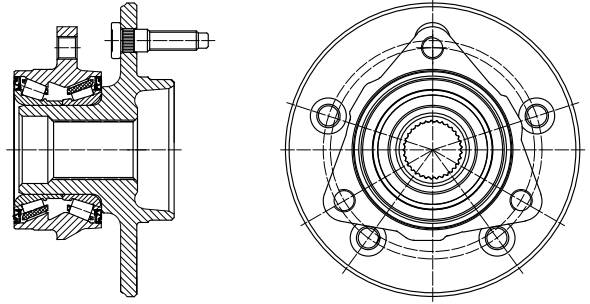


GMB HUB Unit Drawing

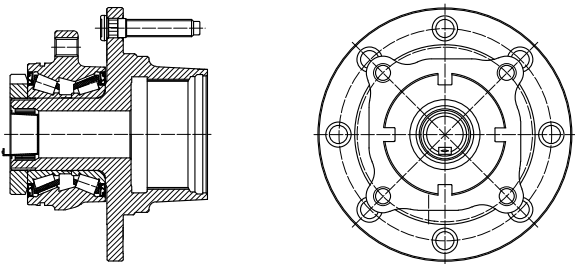
GH30360



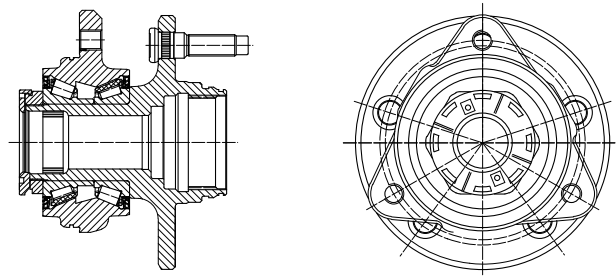
GH30370



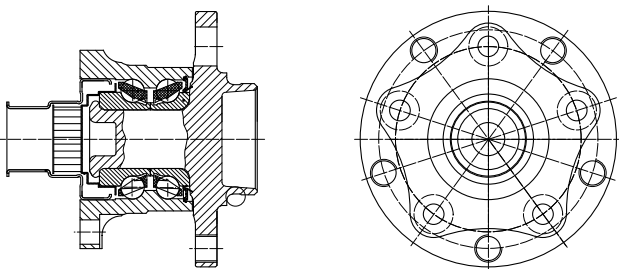
GH30380



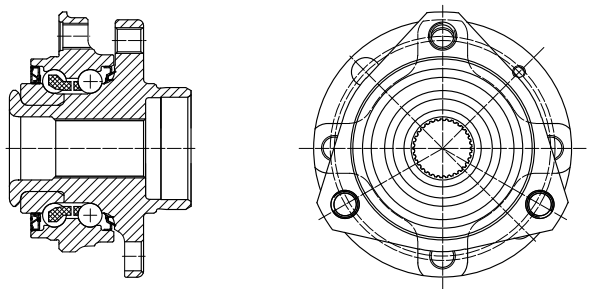
GH30390



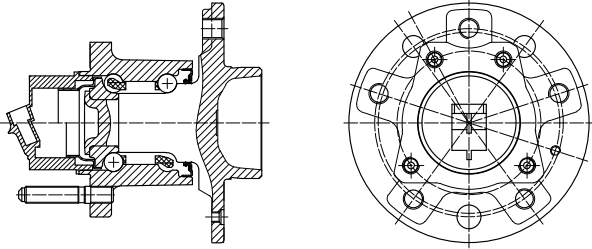
GH30400



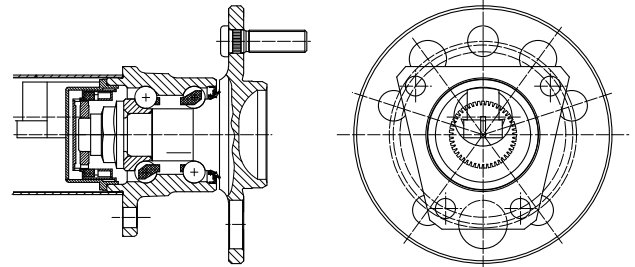
GH30410



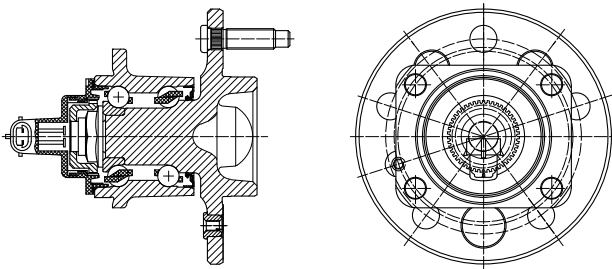
GH30430



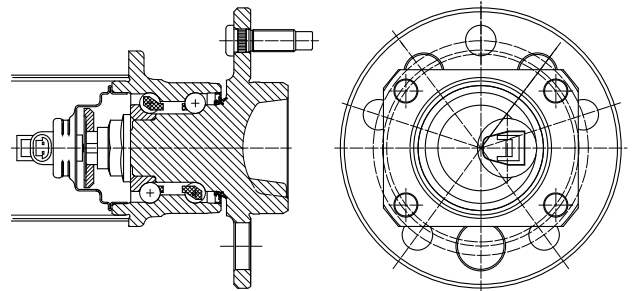
GH30440



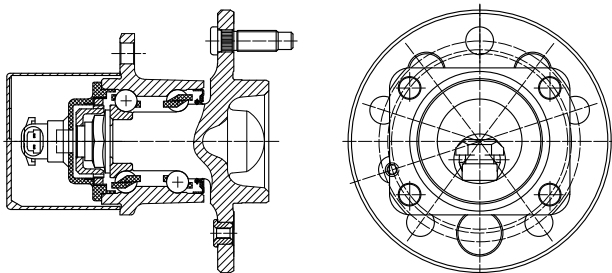
GH30450



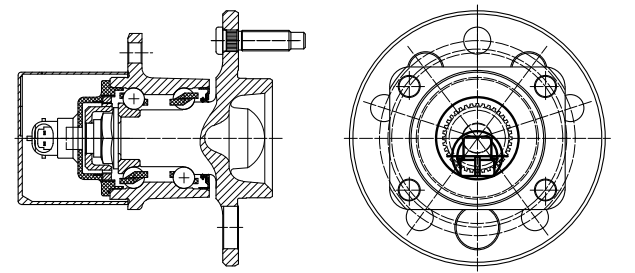
GH30460



GH30470

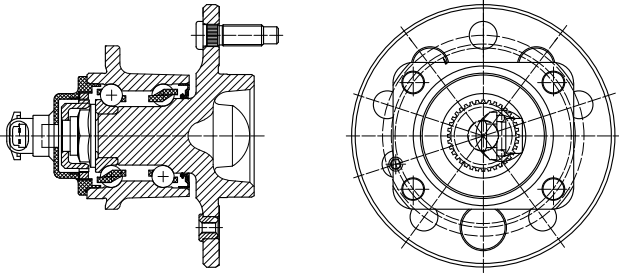


GH30480

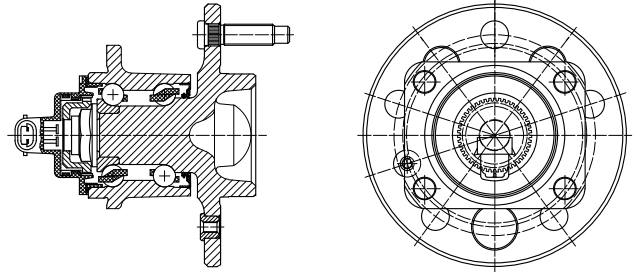


GMB HUB Unit Drawing

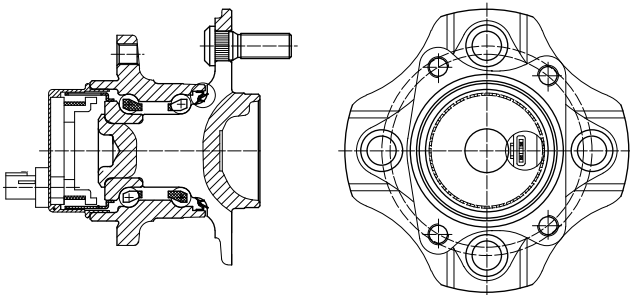
GH30490



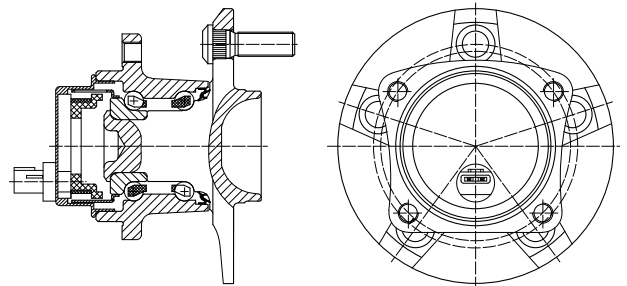
GH30500



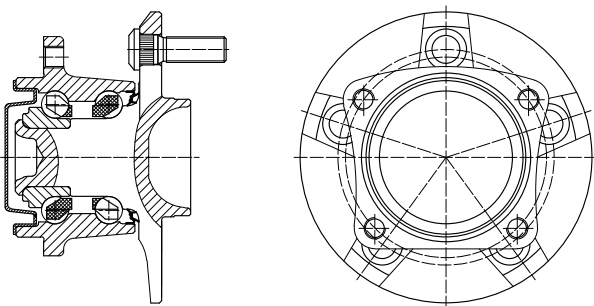
GH30520



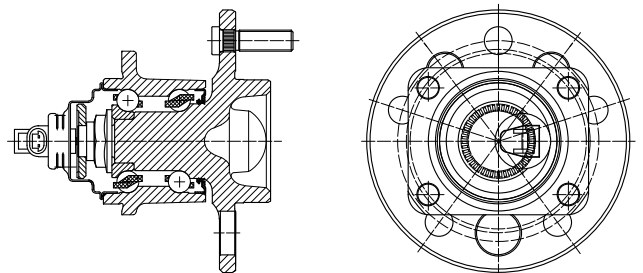
GH30530



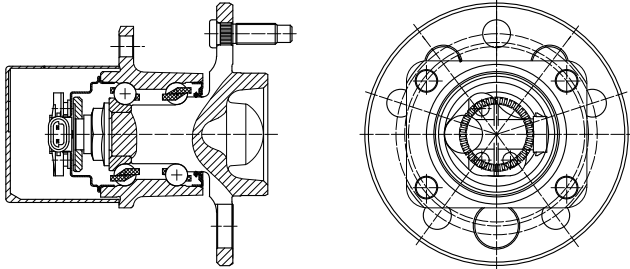
GH30550



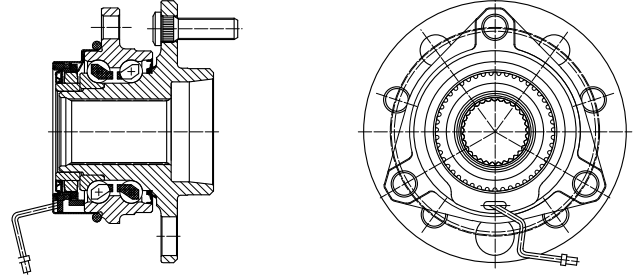
GH30570



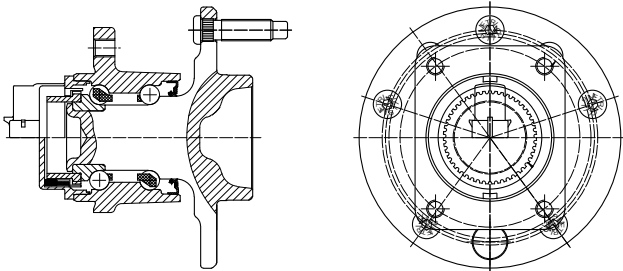
GH30580



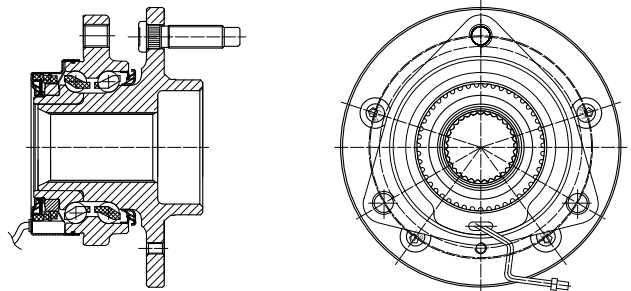
GH30600



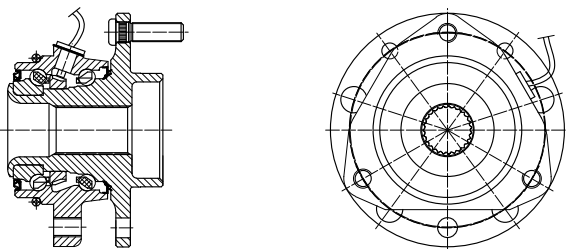
GH30610



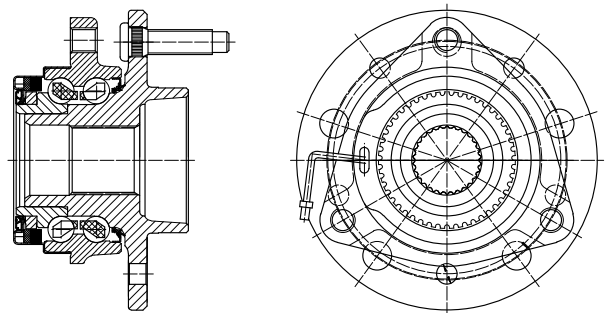
GH30620



GH30630

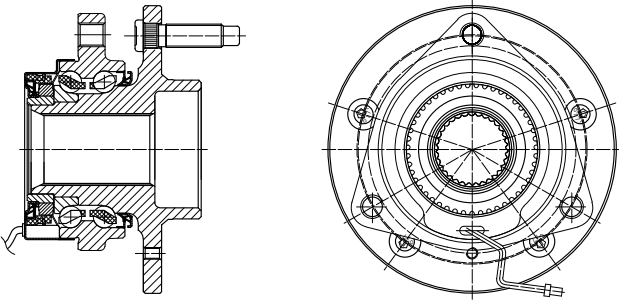


GH30640

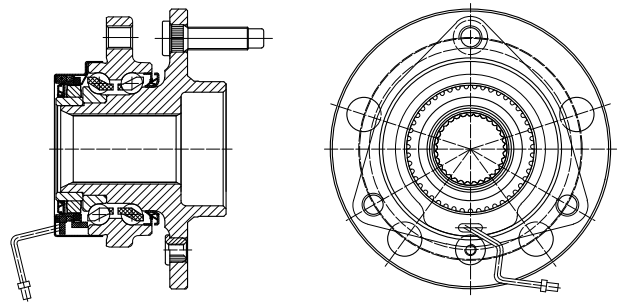


GMB HUB Unit Drawing

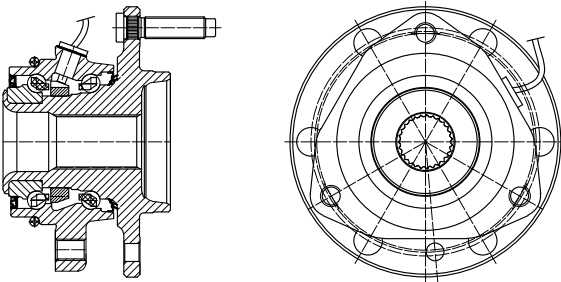
GH30670



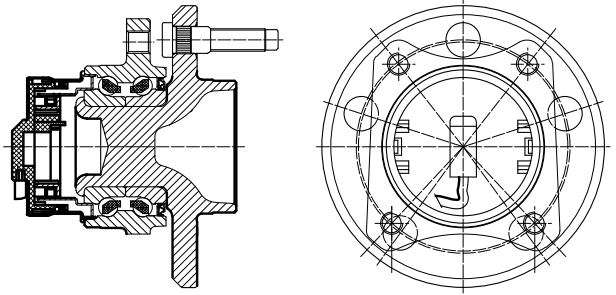
GH30680



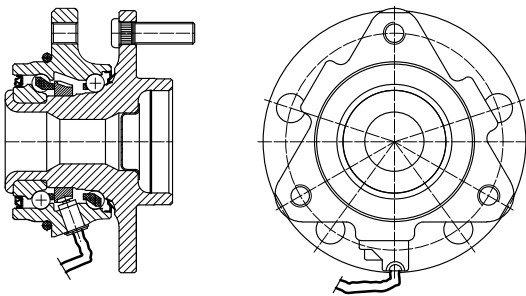
GH30690



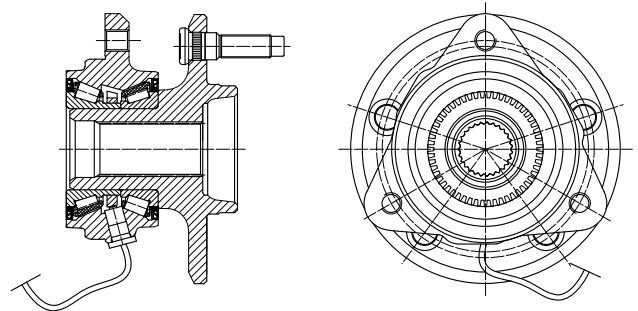
GH30700



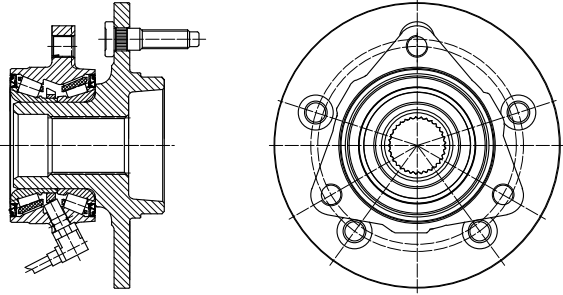
GH30710



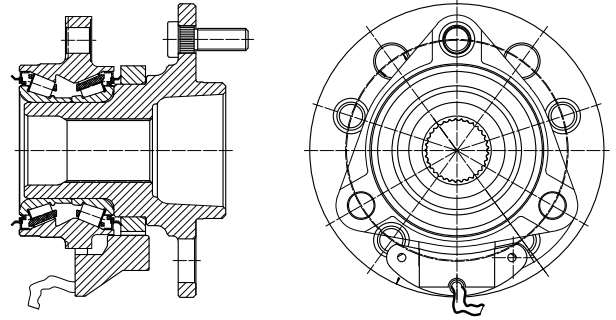
GH30720



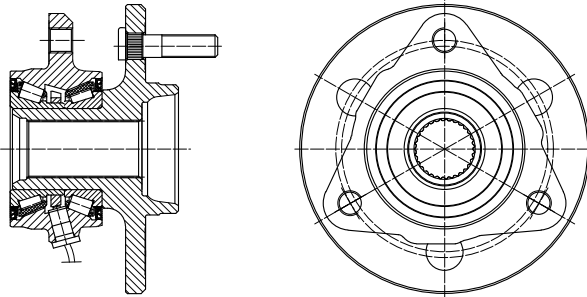
GH30730



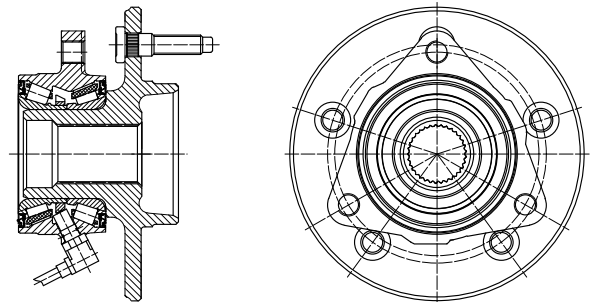
GH30740



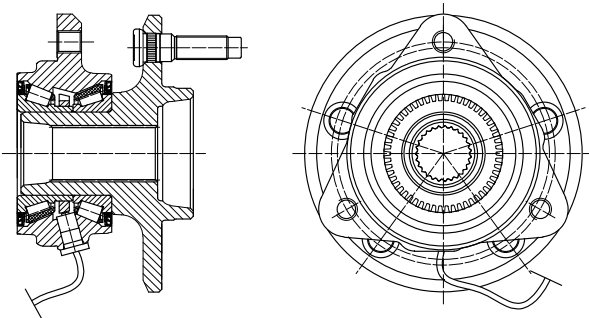
GH30750



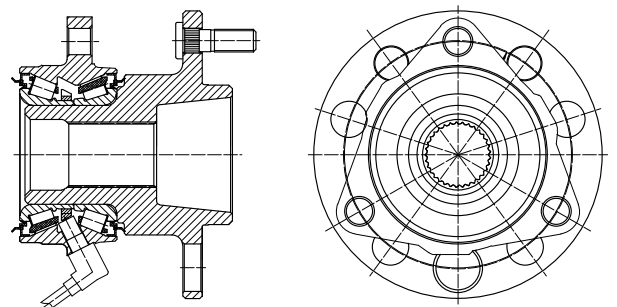
GH30760



GH30770

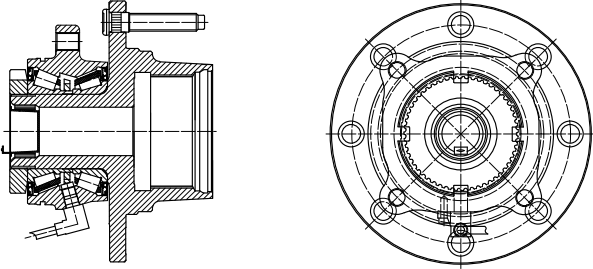


GH30780

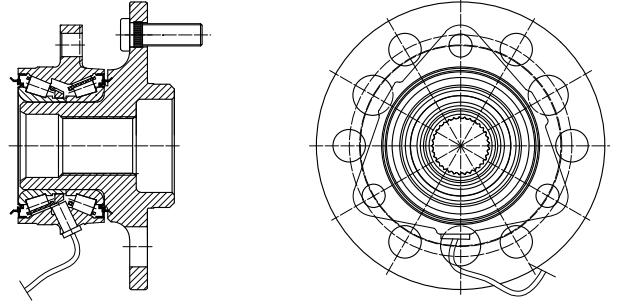


GMB HUB Unit Drawing

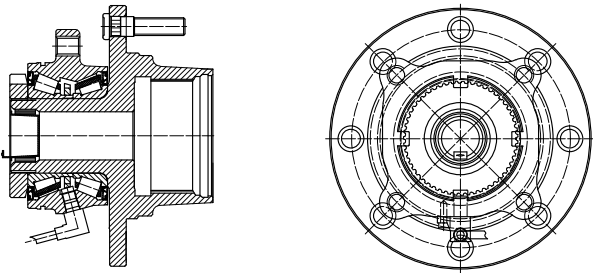
GH30790



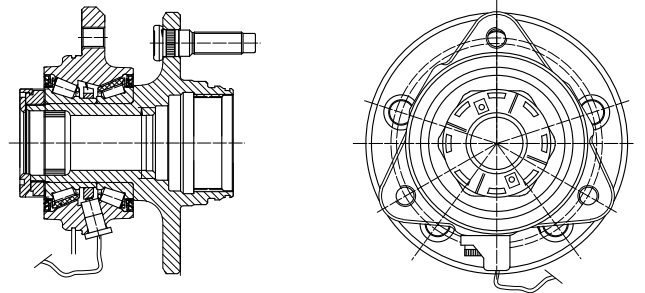
GH30800



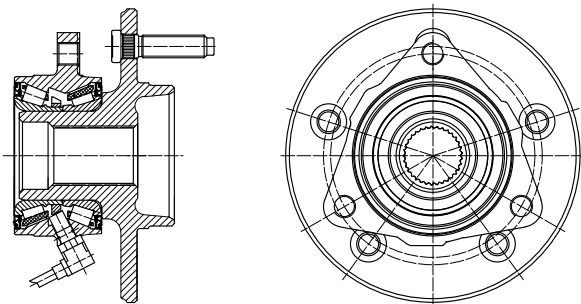
GH30810



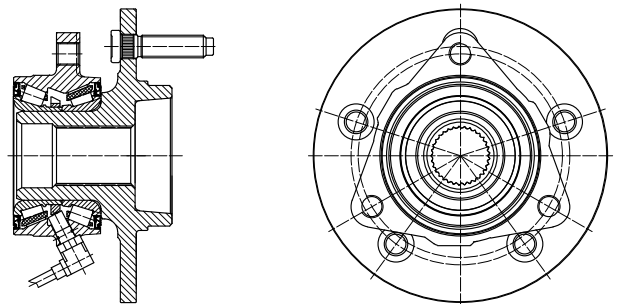
GH30820



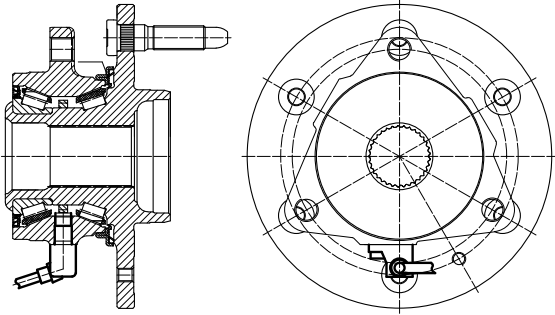
GH30830



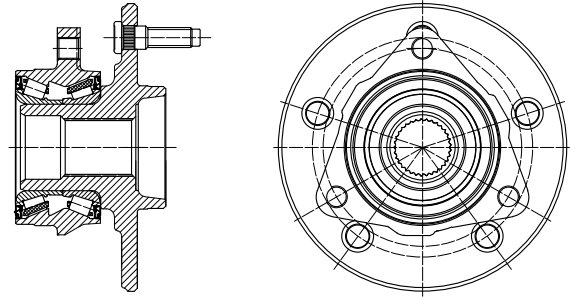
GH30840



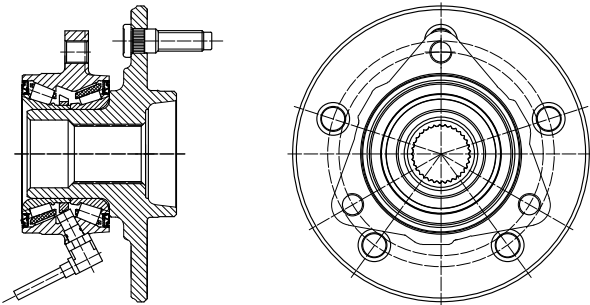
GH30850



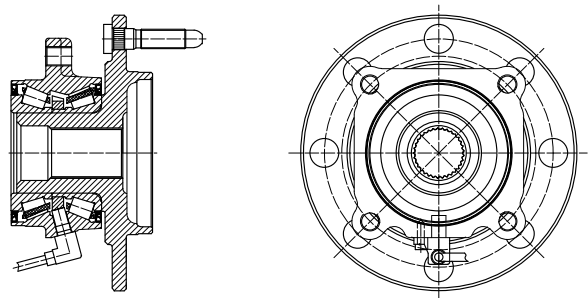
GH30860



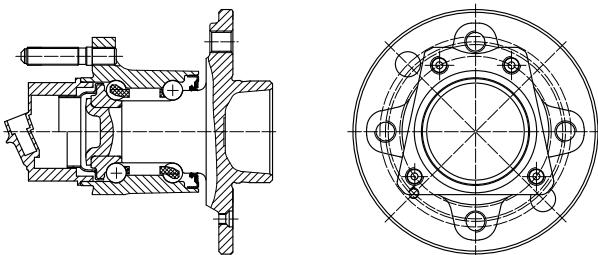
GH30870



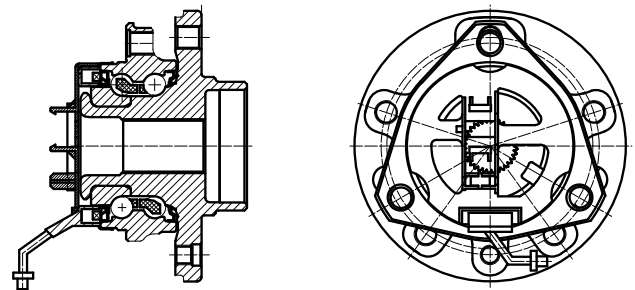
GH30880



GH30890

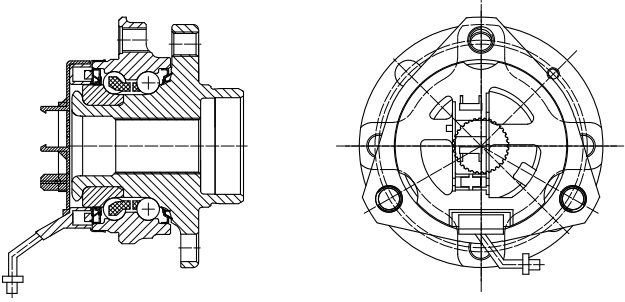


GH30900

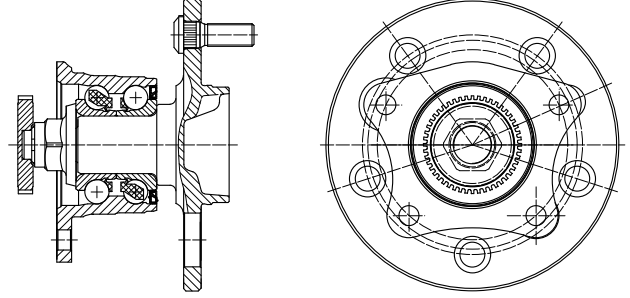


GMB HUB Unit Drawing

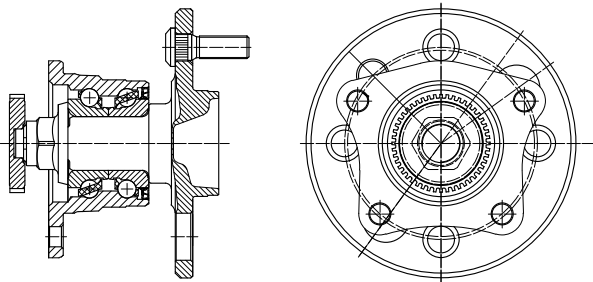
GH30910



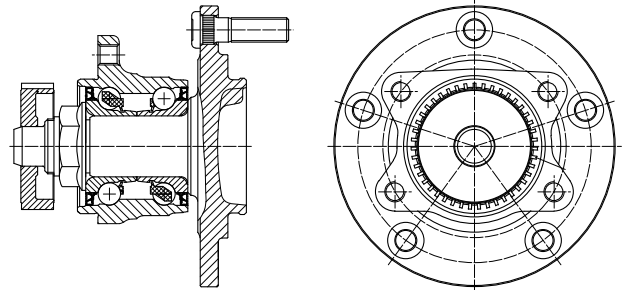
GH30920



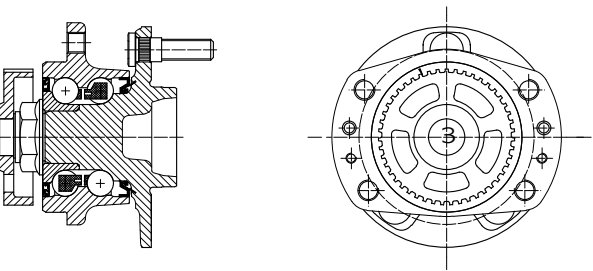
GH30930



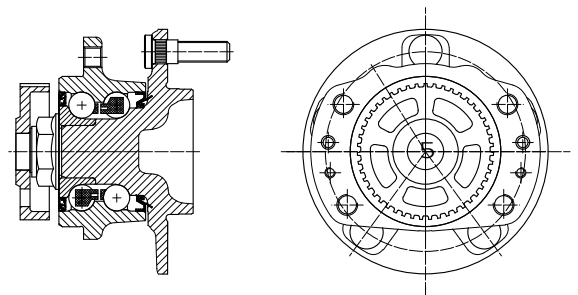
GH30940



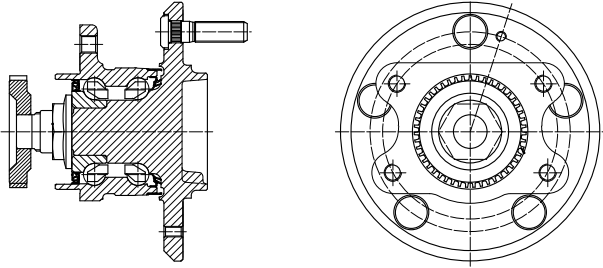
GH30950



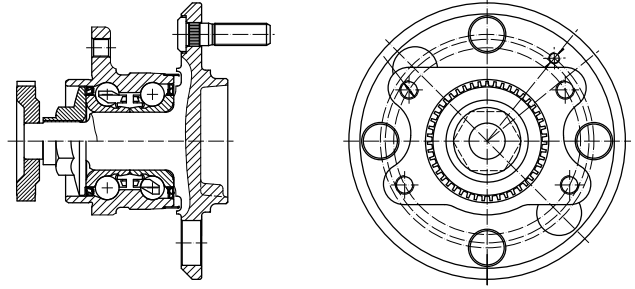
GH30960



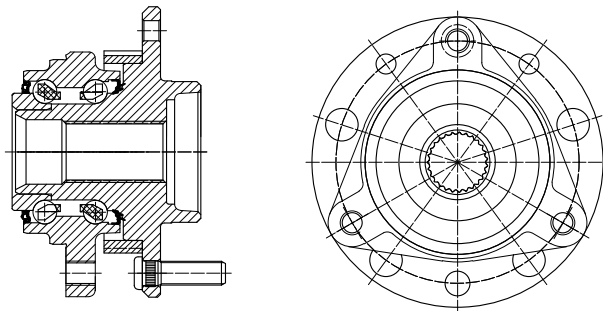
GH30970



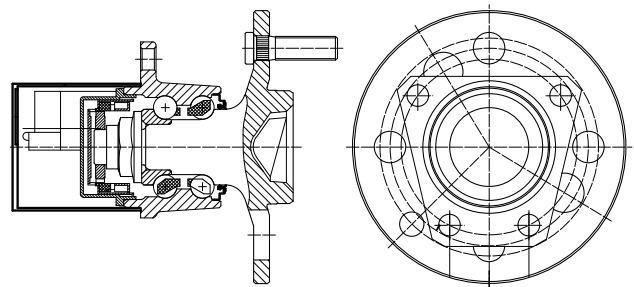
GH30980



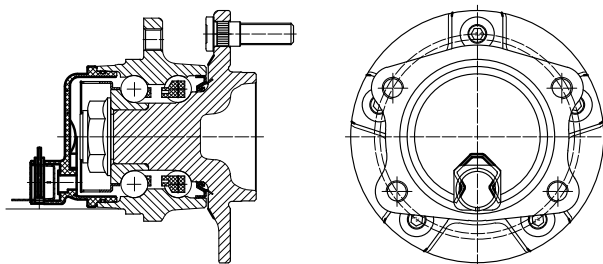
GH30990



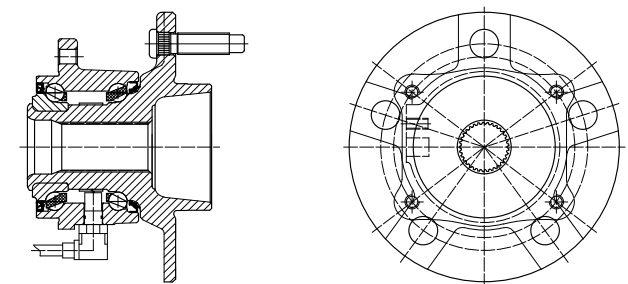
GH31000



GH31010

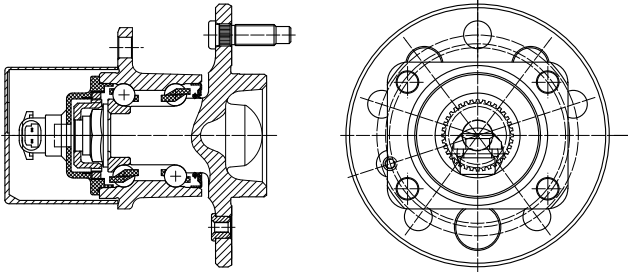


GH31020

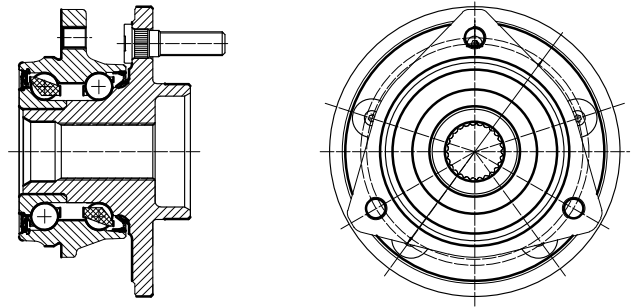


GMB HUB Unit Drawing

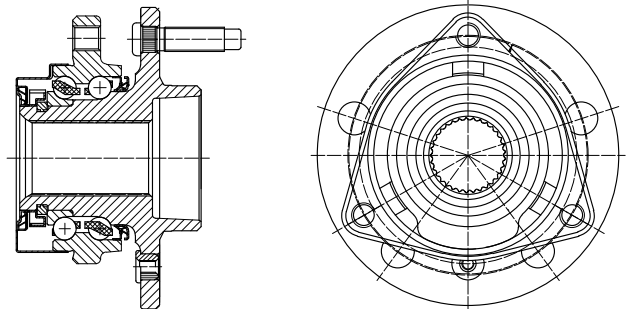
GH31050



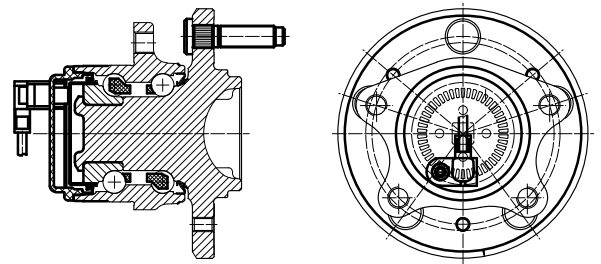
GH31090



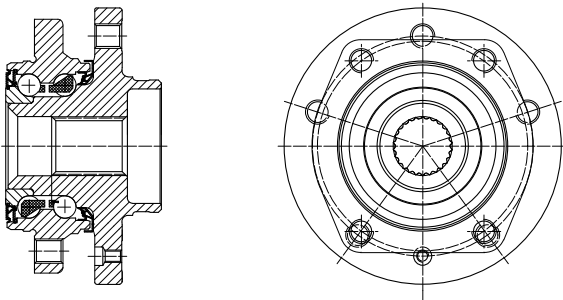
GH31100



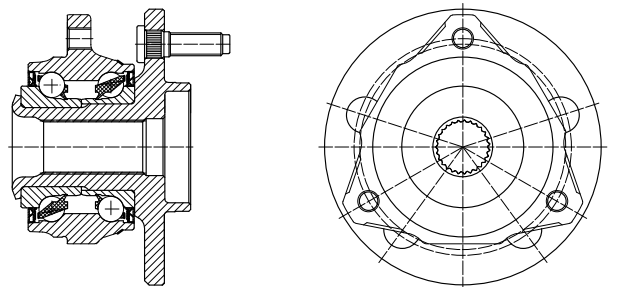
GH31110



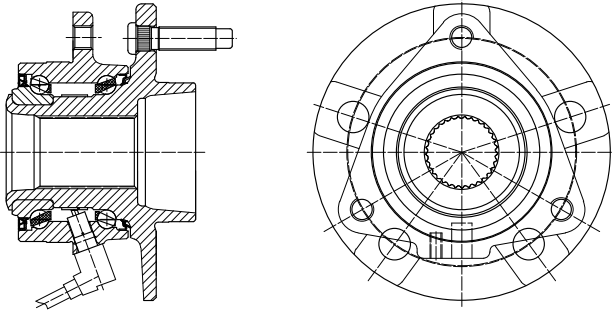
GH31120



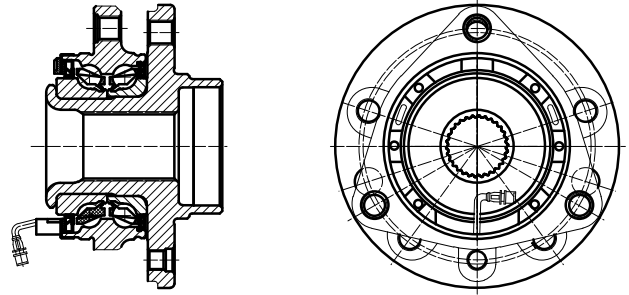
GH31130



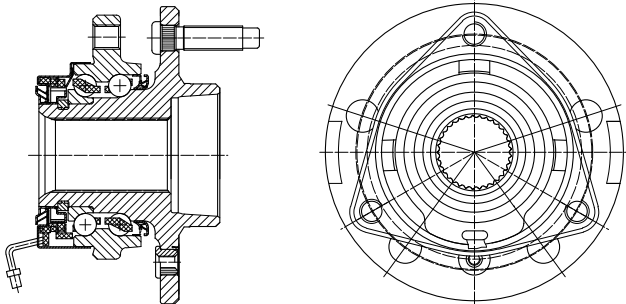
GH31140



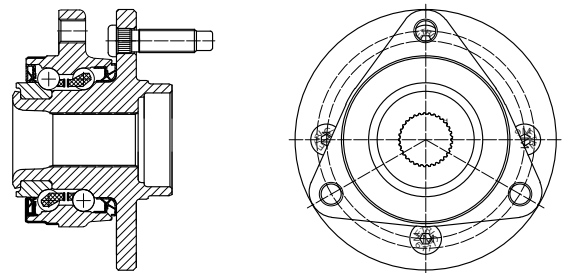
GH31160



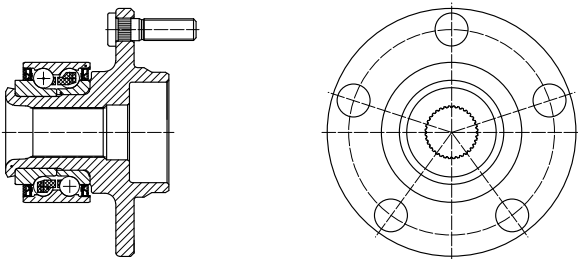
GH31170



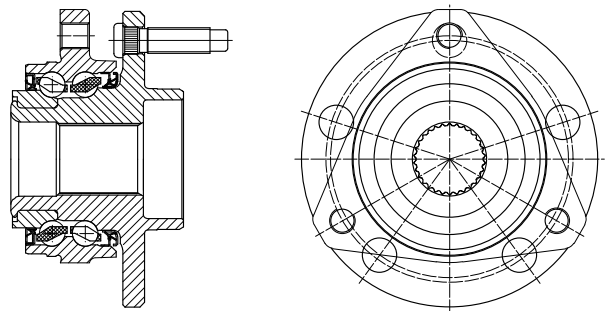
GH31190



GH31200

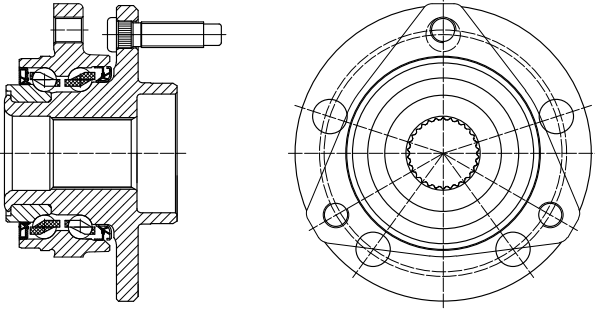


GH31210

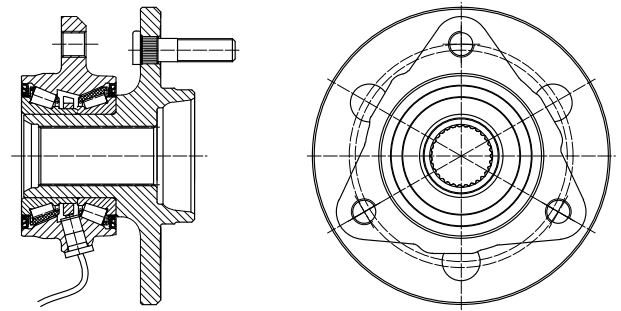


GMB HUB Unit Drawing

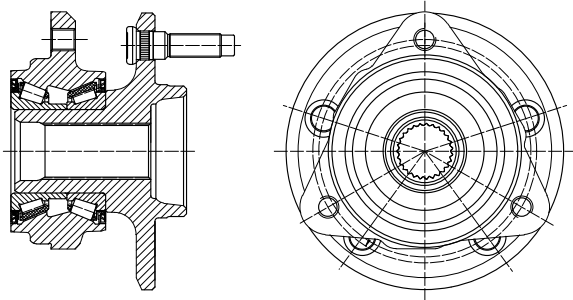
GH31220



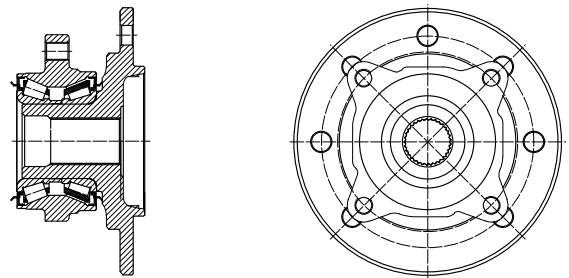
GH31230



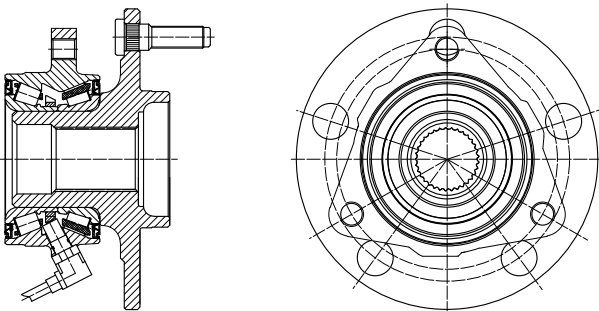
GH31240



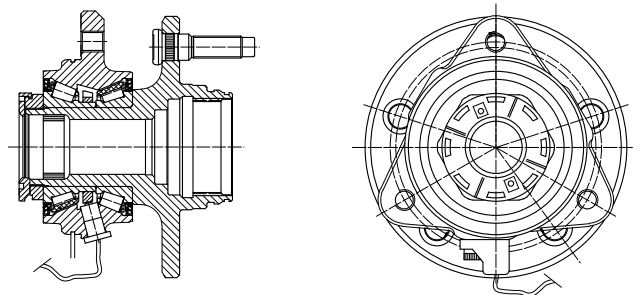
GH31250



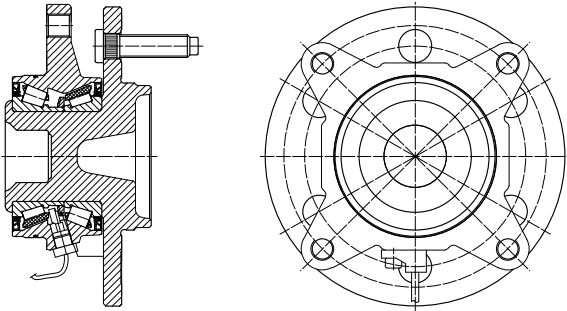
GH31260



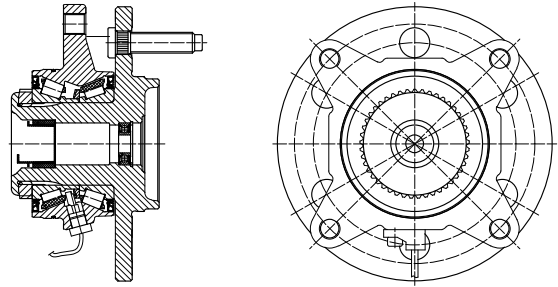
GH31270



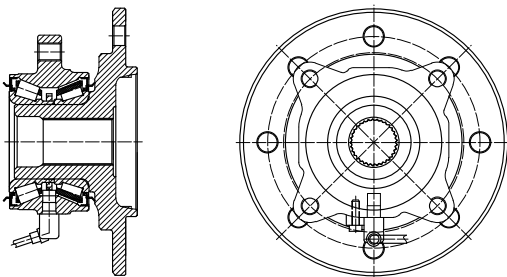
GH31280



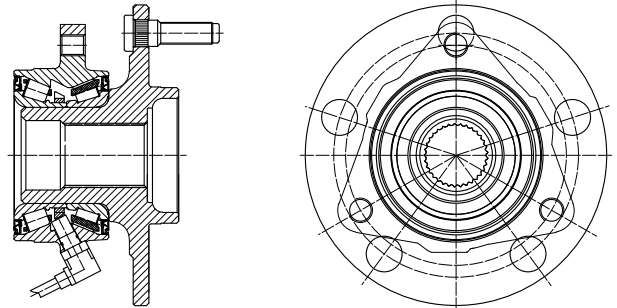
GH31290



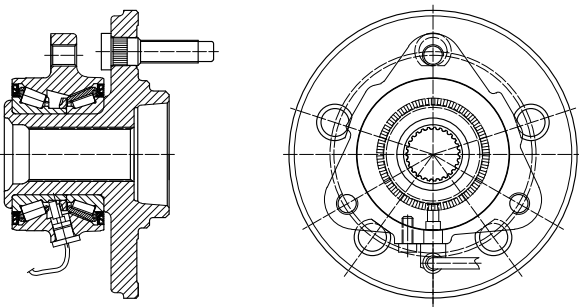
GH31300



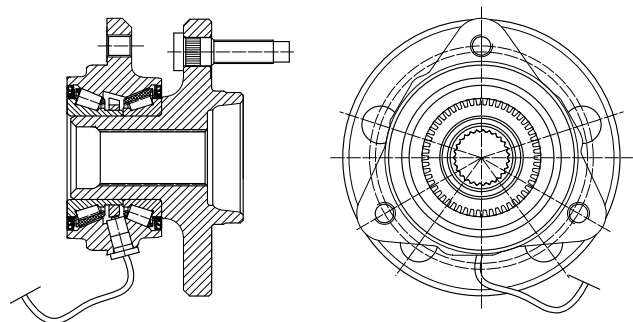
GH31310



GH31320

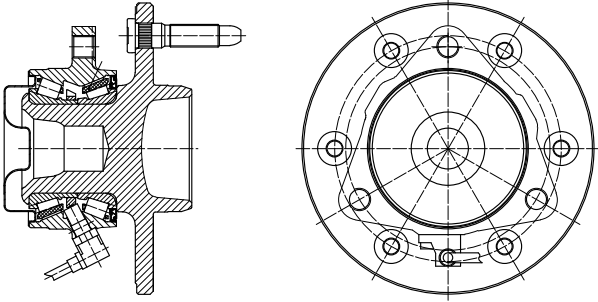


GH31330

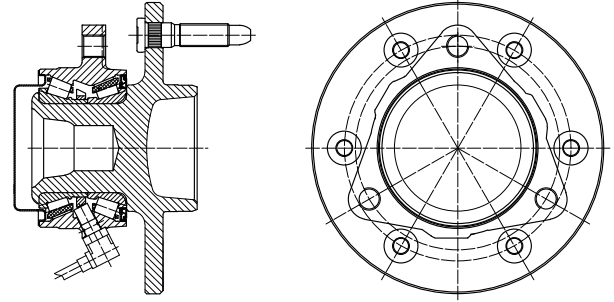


GMB HUB Unit Drawing

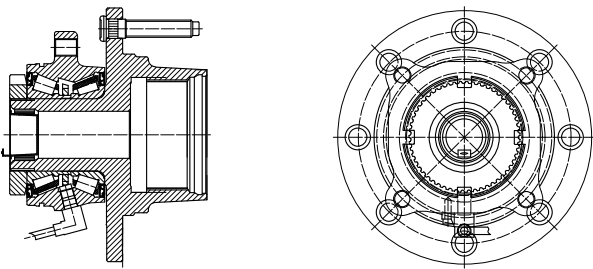
GH31340



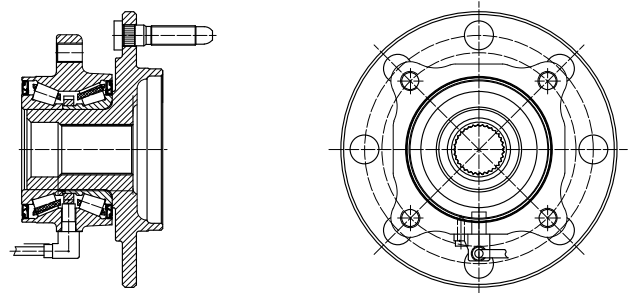
GH31350



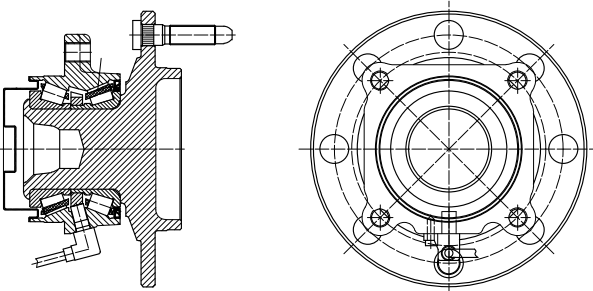
GH31360



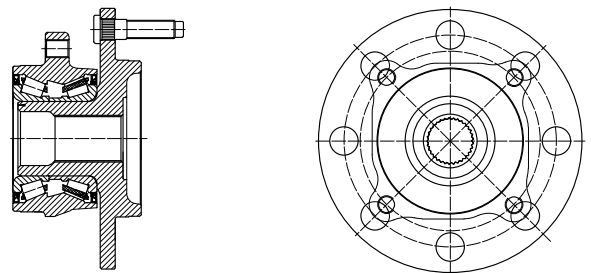
GH31370



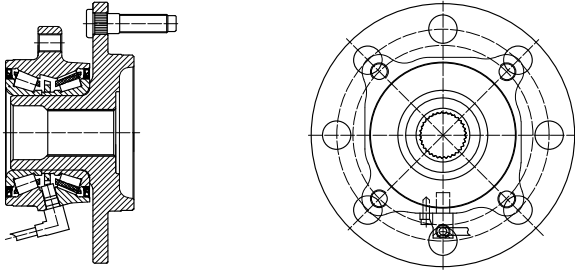
GH31380



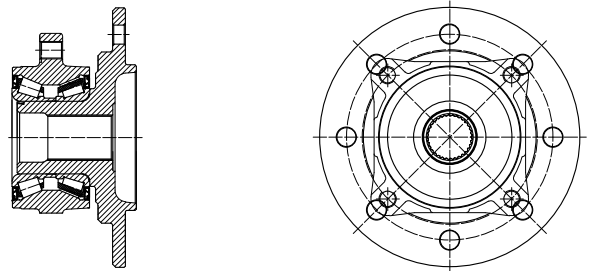
GH31390



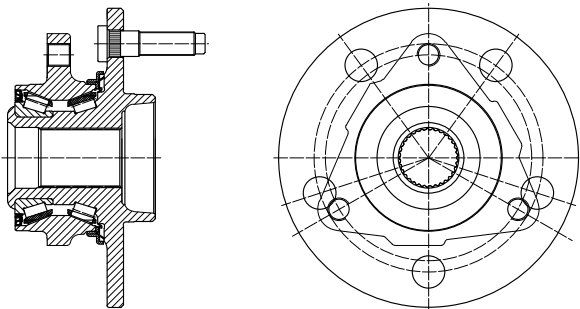
GH31400



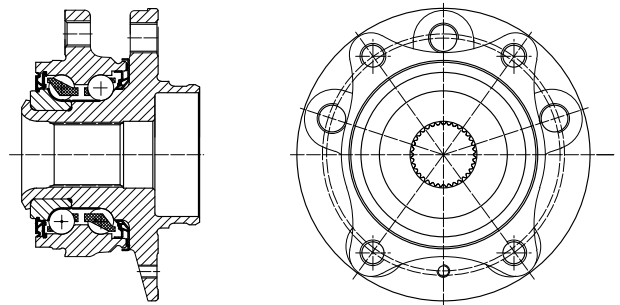
GH31410



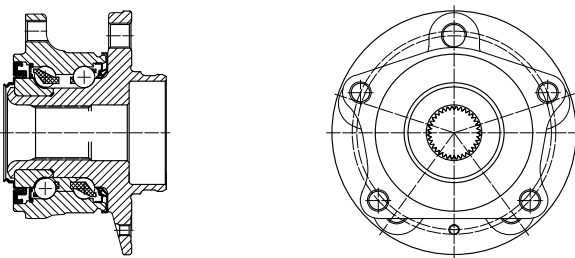
GH31420



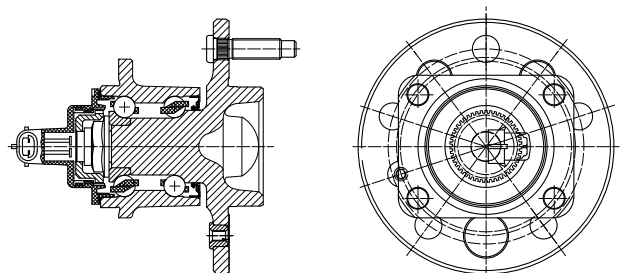
GH31430



GH31440

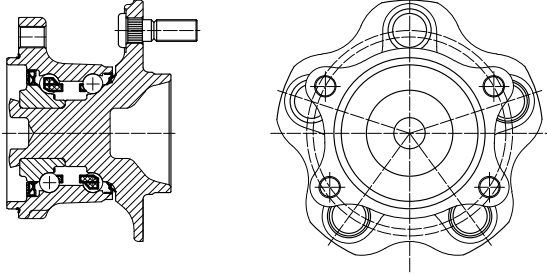


GH31450

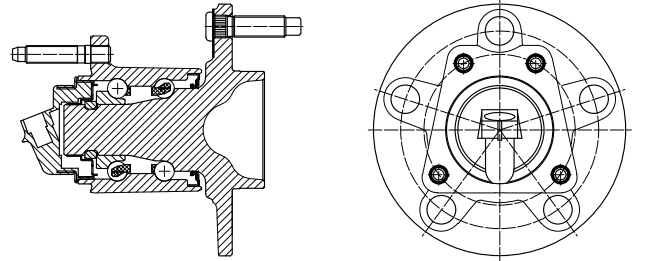


GMB HUB Unit Drawing

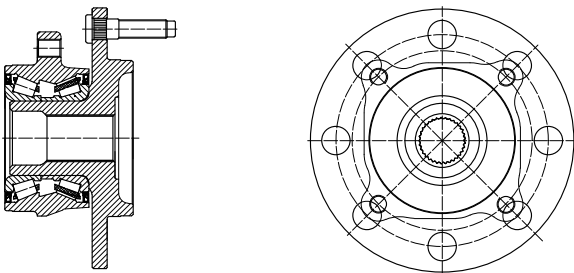
GH31460



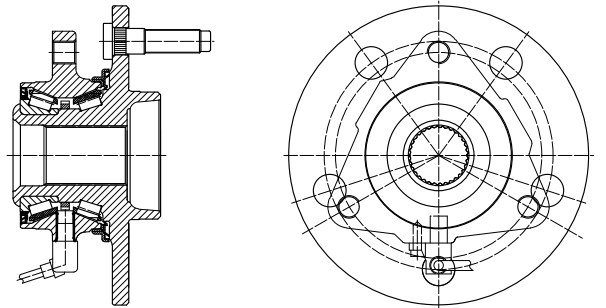
GH31480



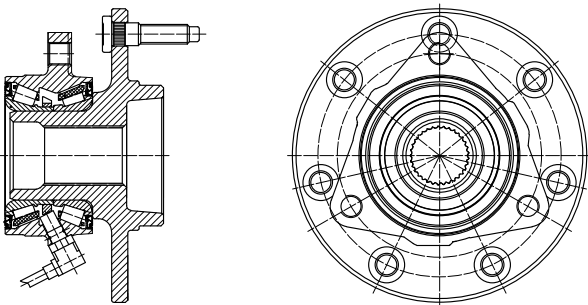
GH31490



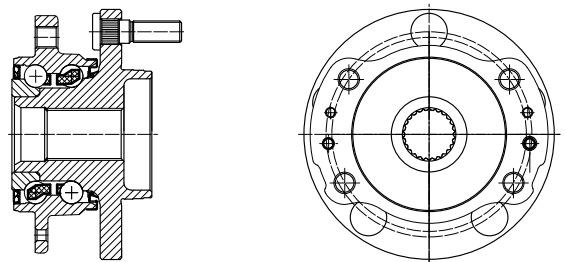
GH31500



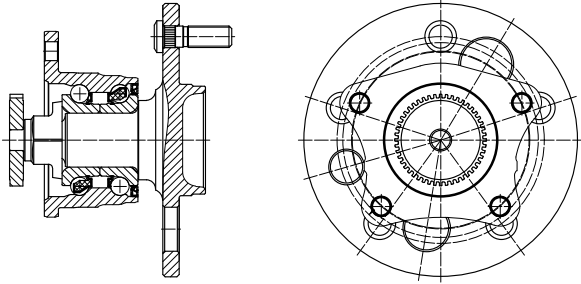
GH31510



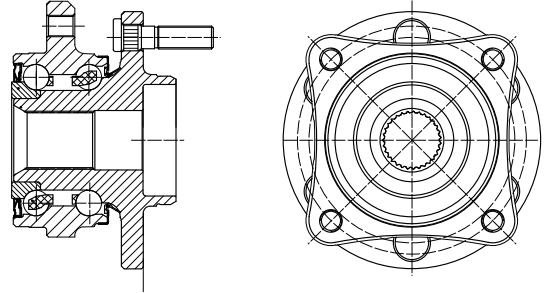
GH31520



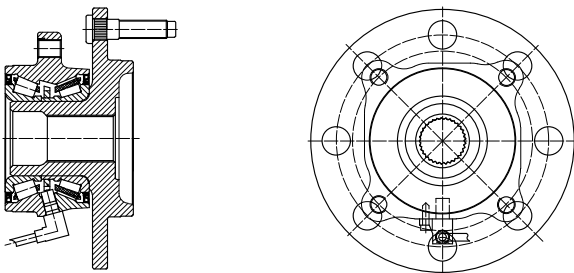
GH31530



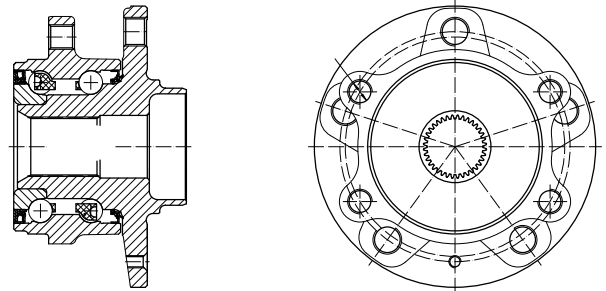
GH31540



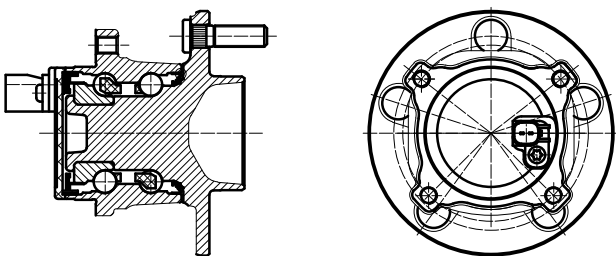
GH31550



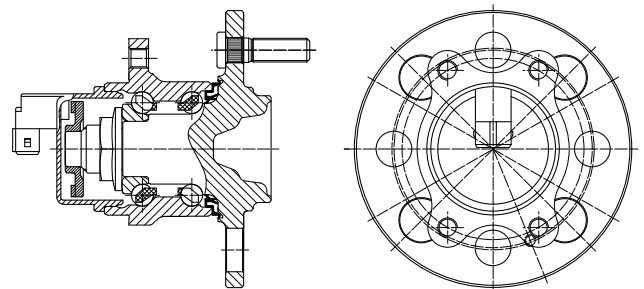
GH31560



GH31570

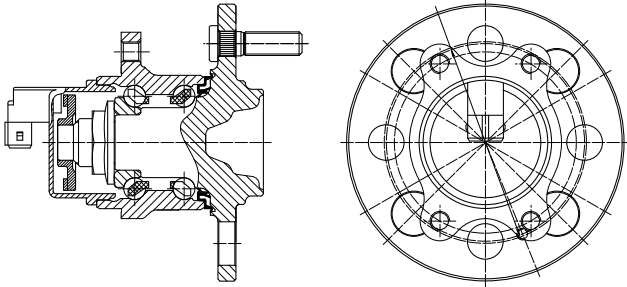


GH31580

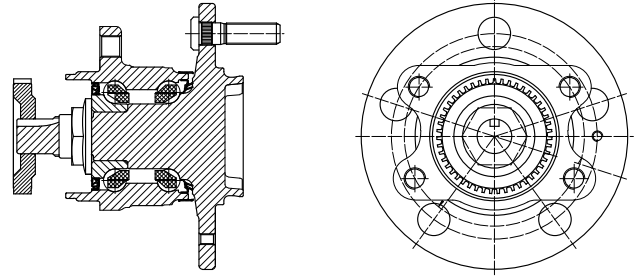


GMB HUB Unit Drawing

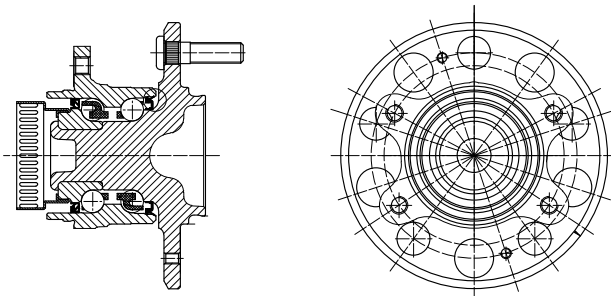
GH31585



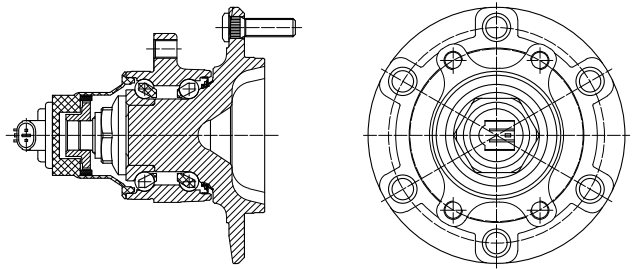
GH31590



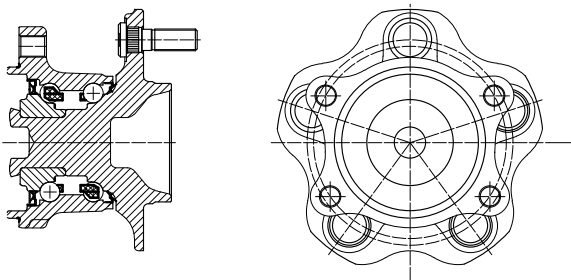
GH31620



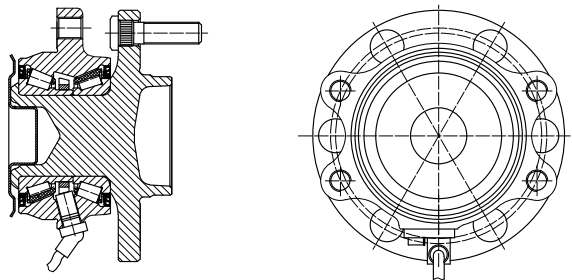
GH31630



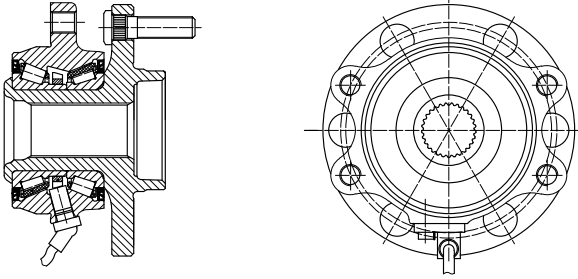
GH31660



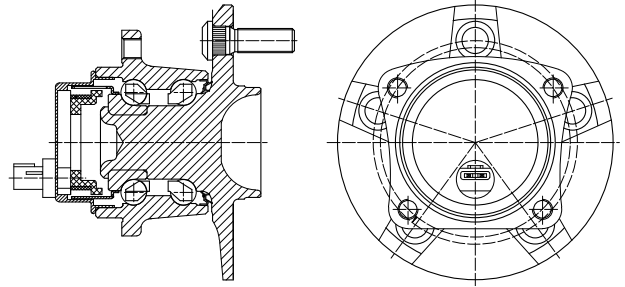
GH31670



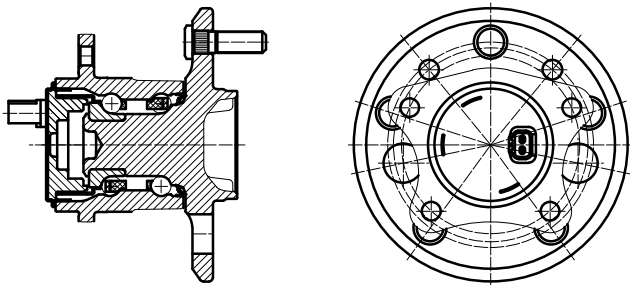
GH31680



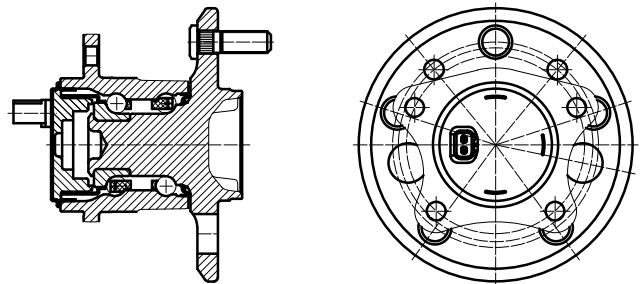
GH31690



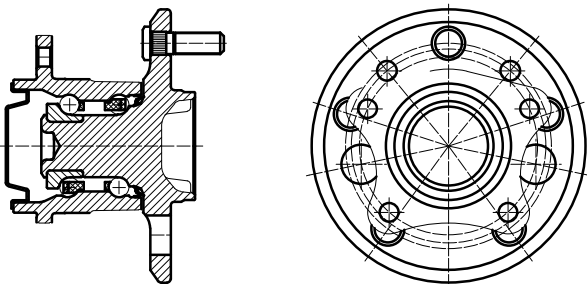
GH31700



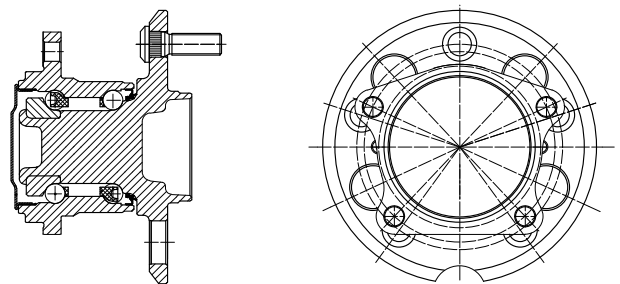
GH31710



GH31720

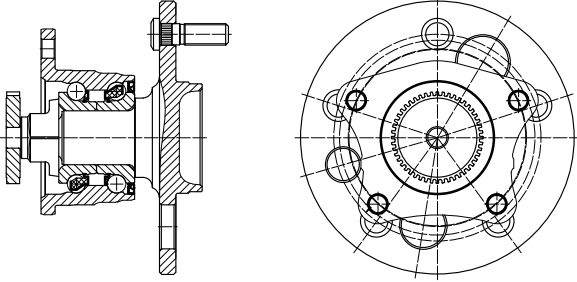


GH31730

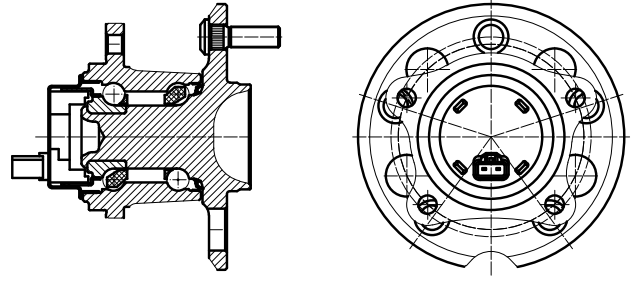


GMB HUB Unit Drawing

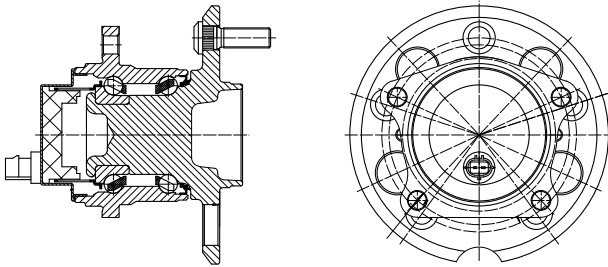
GH31740



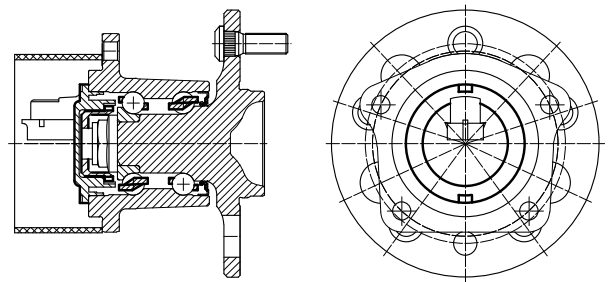
GH31750



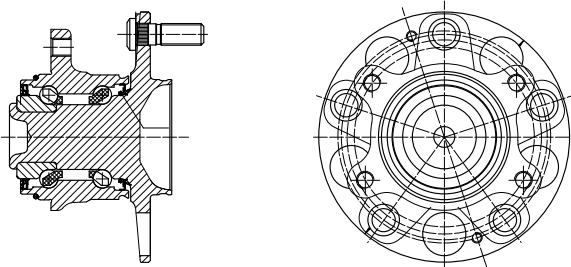
GH31760



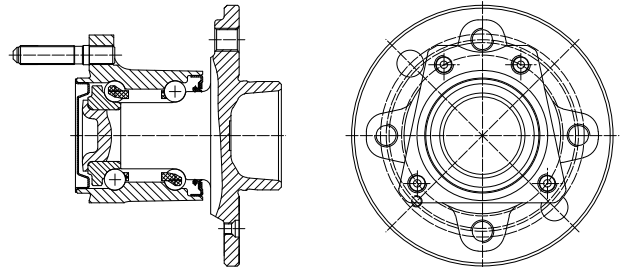
GH31770



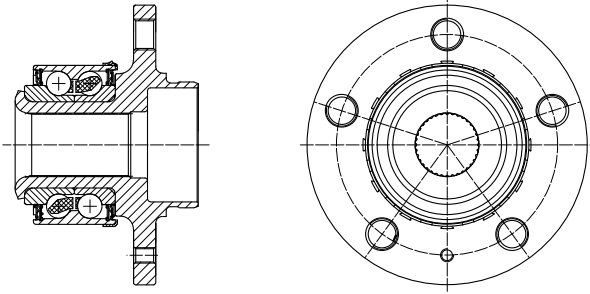
GH31780



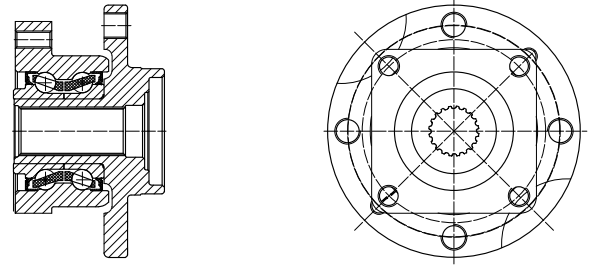
GH31800



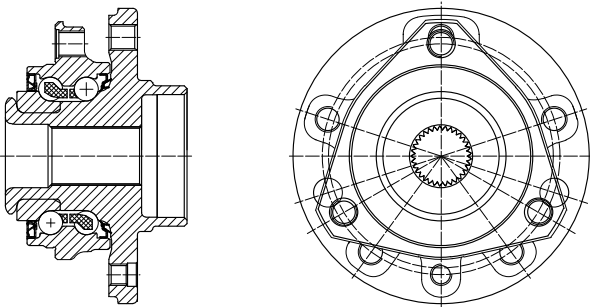
GH31810



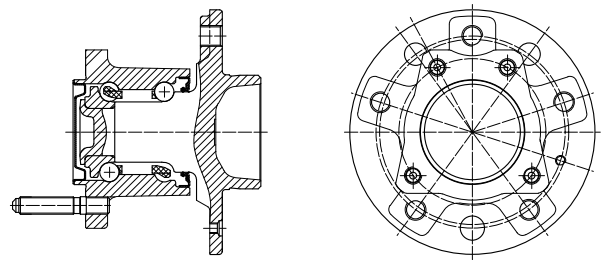
GH31820



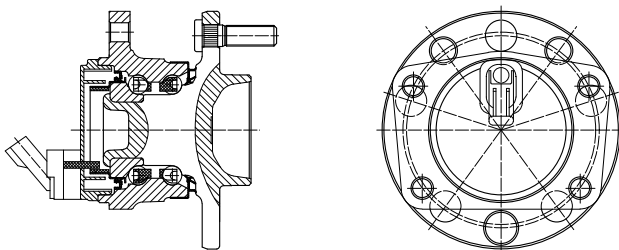
GH31830



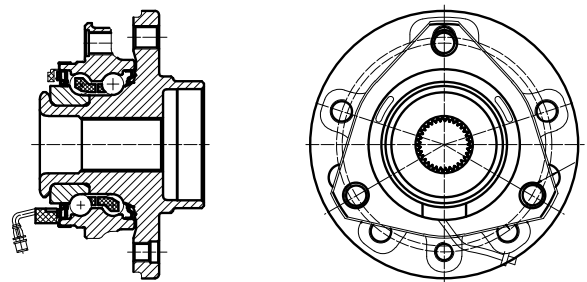
GH31840



GH31850

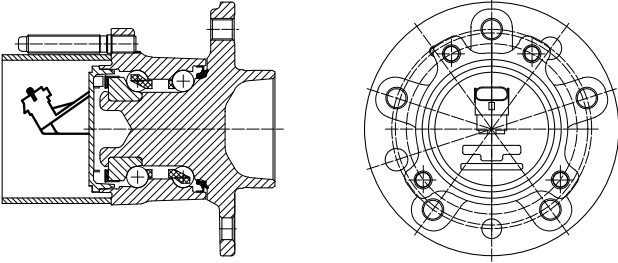


GH31880

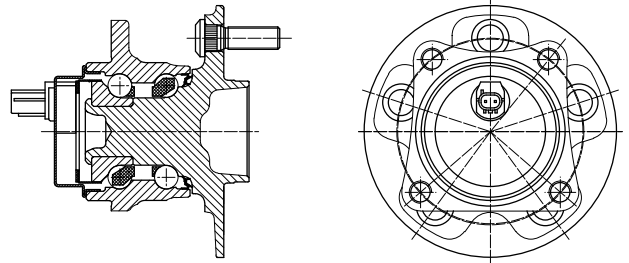


GMB HUB Unit Drawing

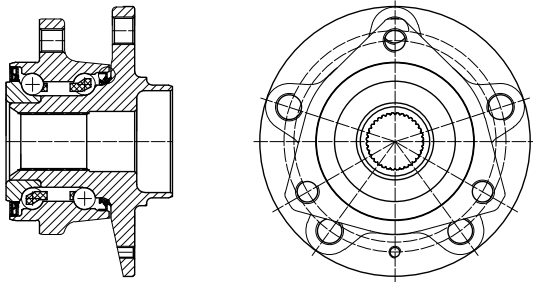
GH31890



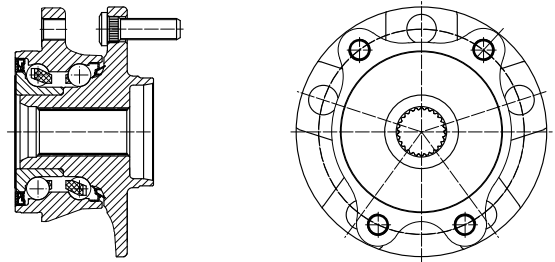
GH31910



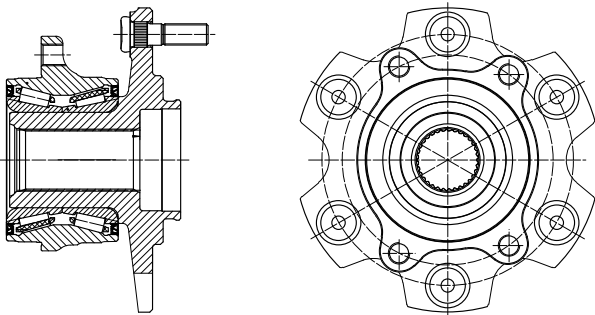
GH31920



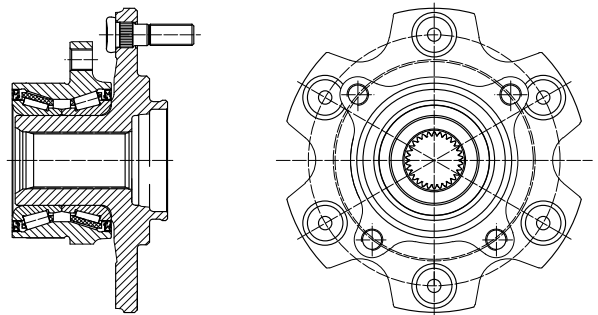
GH31930



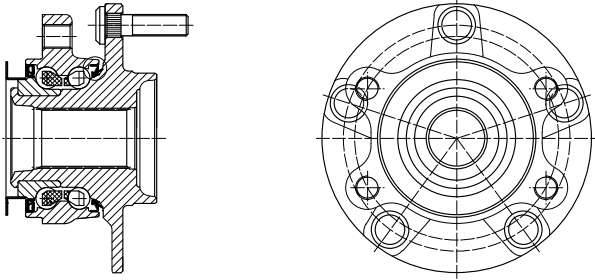
GH31940



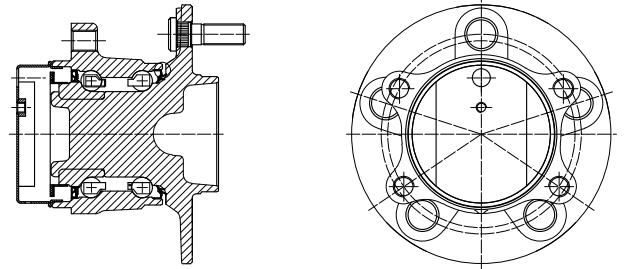
GH31950



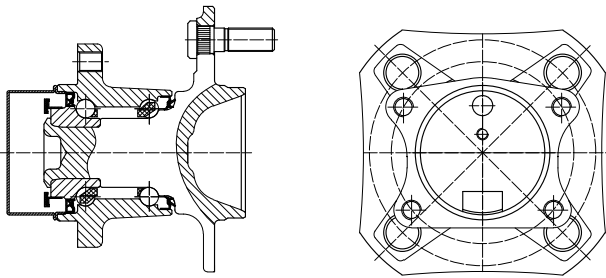
GH31960



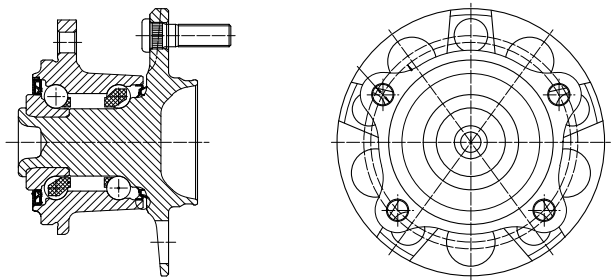
GH31970



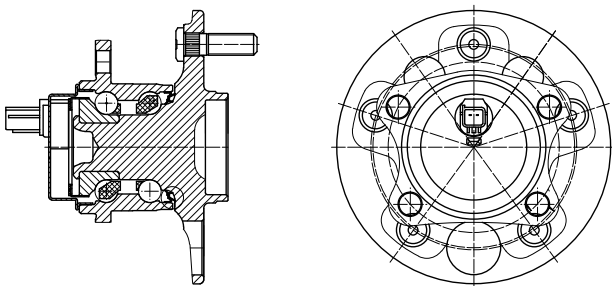
GH32010



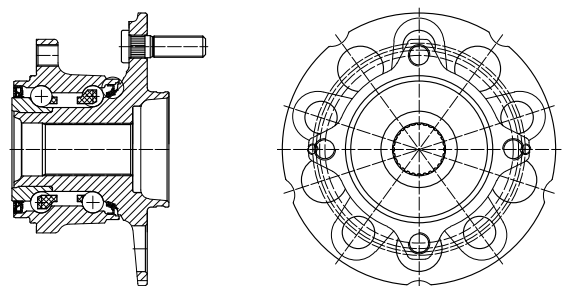
GH32040



GH32160

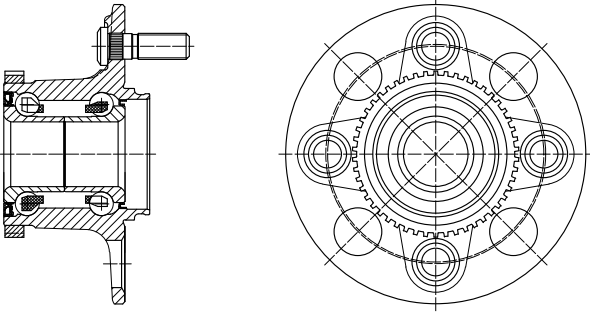


GH32320

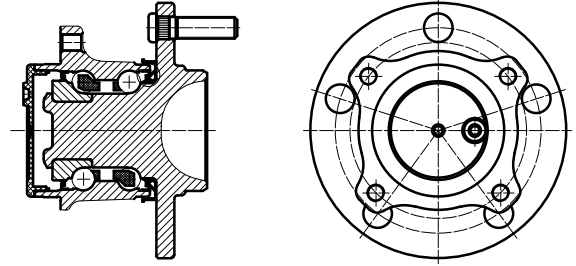


GMB HUB Unit Drawing

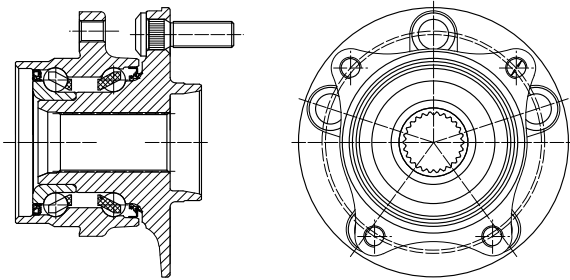
GH32400



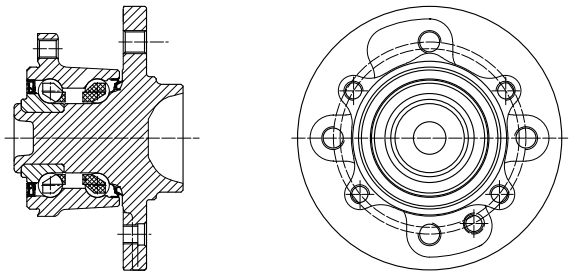
GH32410



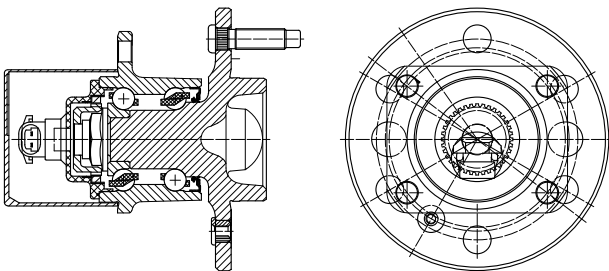
GH32430



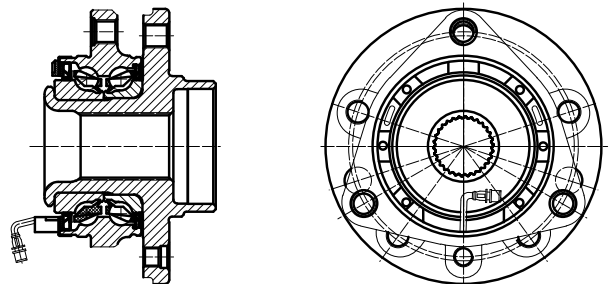
GH32440



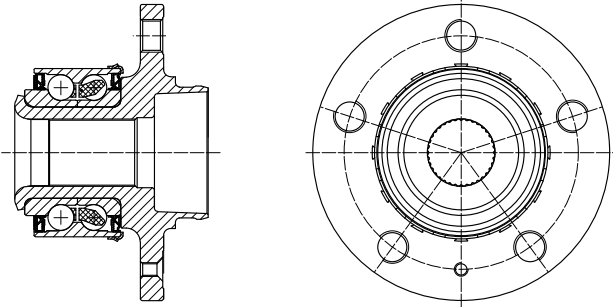
GH32450



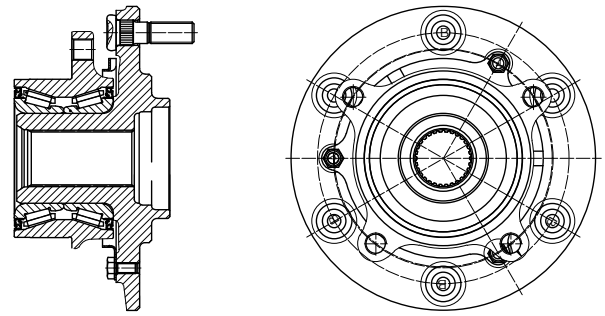
GH32460



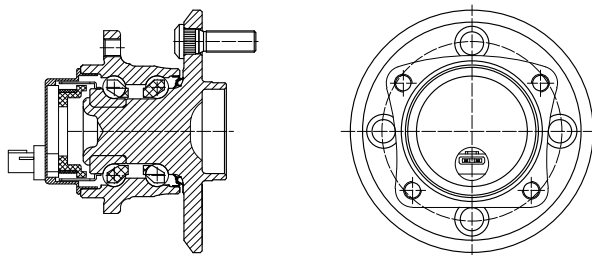
GH32470



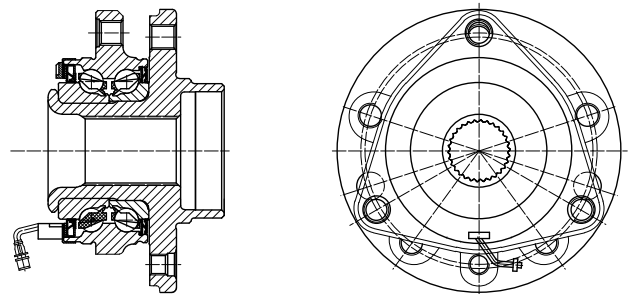
GH32490



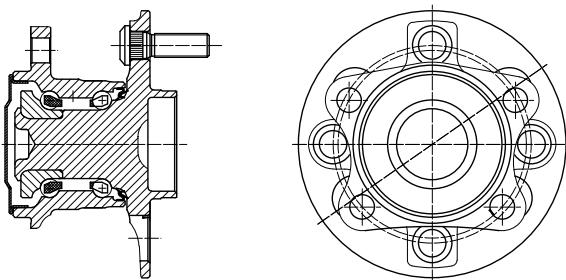
GH32500



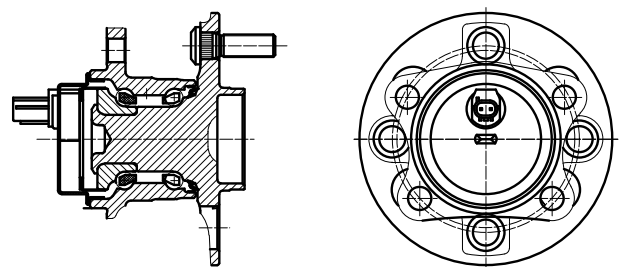
GH32510



GH32560

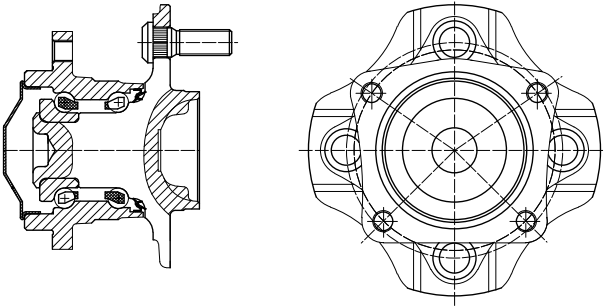


GH32565

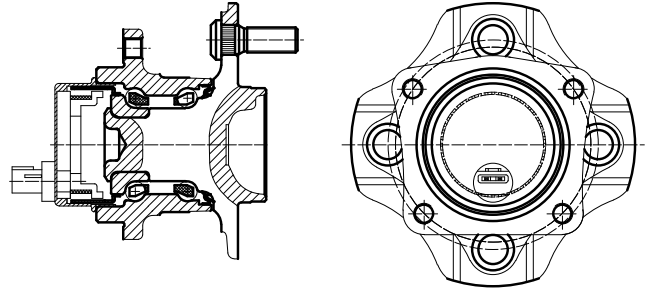


GMB HUB Unit Drawing

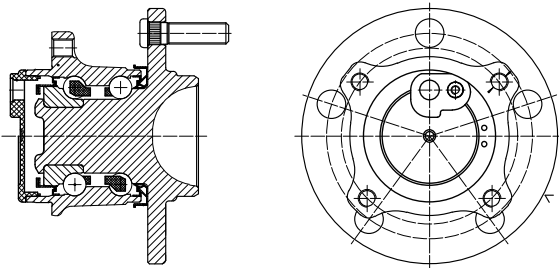
GH32580



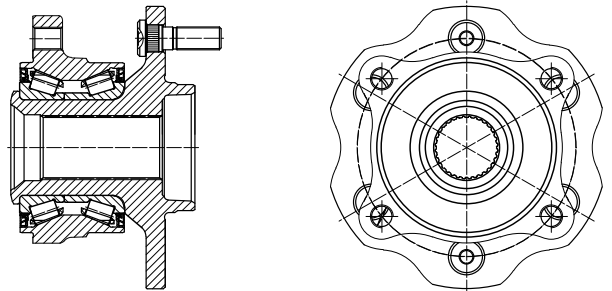
GH32585



GH32590



GH32620





GMB Corporation (JAPAN)

No.150-3,Handa,Kawanishi-cho,Shiki-gun Nara 636-0295

Tel.81-745-44-1911/Fax.81-745-44-1930

<http://www.gmb.jp>

GMB KOREA Corporation

#53,Sungsan-dong,Changwon-city, Kyungnam-do(641-315)

Tel.82-55-279-1313 / Fax.82-55-261-1615

<http://www.gmb.co.kr>

GMB North America, Inc. (U.S.A)

Head Quarter (New Jersey)

100 Herrod Boulevard, Dayton, NJ 08810

Tel.(609) 655-2422 / Fax.(609) 655-2257

California Branch (California)

2725 EL Plesidio Street, Carson, CA 90810

Tel.(310) 631-7555 / Fax.(310) 631-5795

<http://www.gmb.net>

